



44487312

M400 Series TJ Locks



Electromagnetic Locks for Inswinging Doors
M420TJ, M422TJ, M450TJ, M452TJ, M490TJ, M492TJ

Installation Instructions

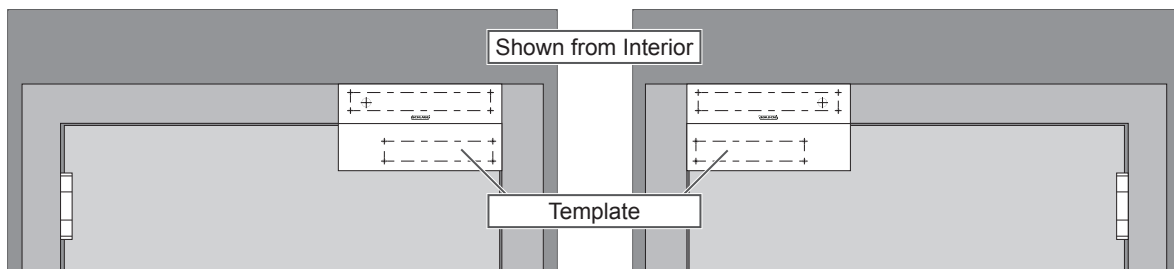
① **These instructions cover only the mounting of the lock(s) using TJ brackets. Before proceeding with installation, see main electromagnetic lock instructions for the following information:**

- Electrical Specifications
- Reorienting the Magnet
- ATS and MBS Indicator Installation
- Connecting Wiring to Board

1 Place template and prepare holes.

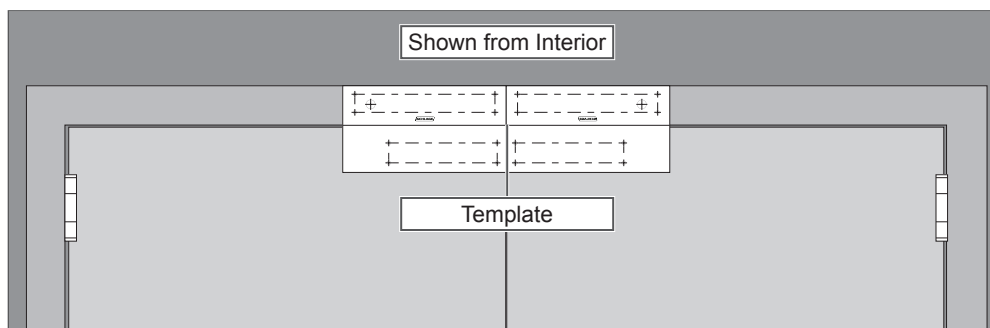
Single

- Place template on top corner, opposite of hinges.
- Mark holes and prepare them per template.



Double

- Place template on top centerline of doors.
- Mark holes and prepare them per template.

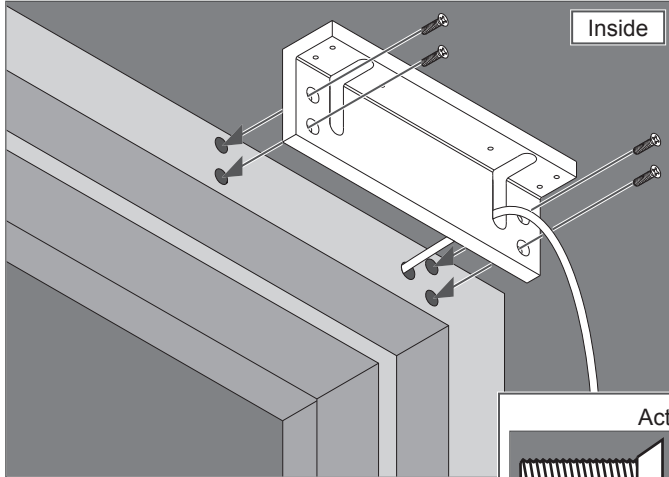


2 Reorient the magnet(s)

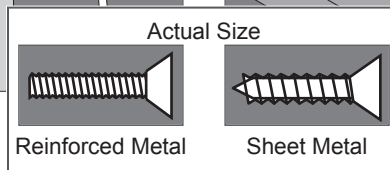
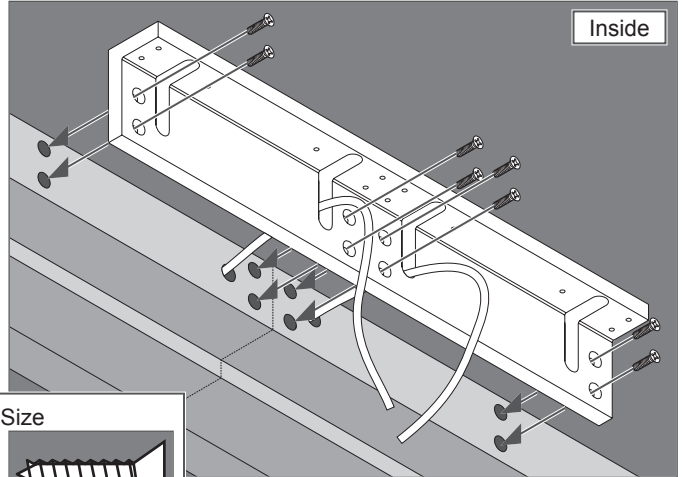
- **SINGLE LOCKS:** The magnet may need to be reoriented before installation, depending on the handing of your door.
- **DOUBLE LOCKS:** The magnet in one of the locks must be reoriented before installation.
- See the instructions that came with your lock(s) for information about magnet orientation.

3 Attach frame L-Bracket.

Single



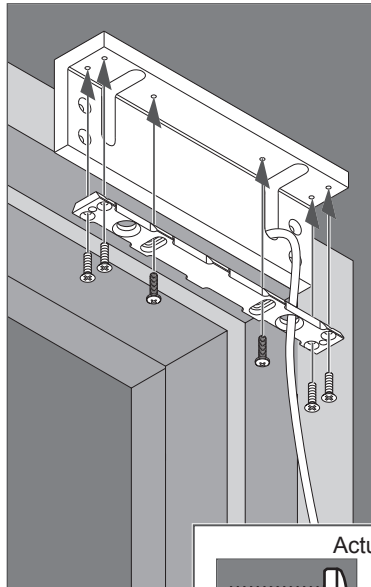
Double



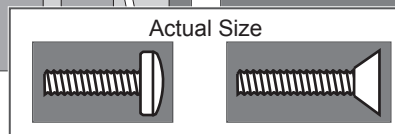
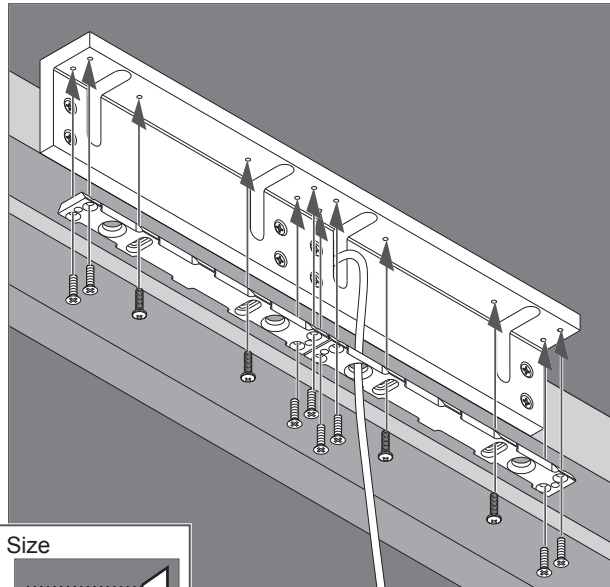
4 Attach mounting bracket(s).

- Place template on gate and post surfaces as marked on template.
- Mark holes and prepare them per template.

Single

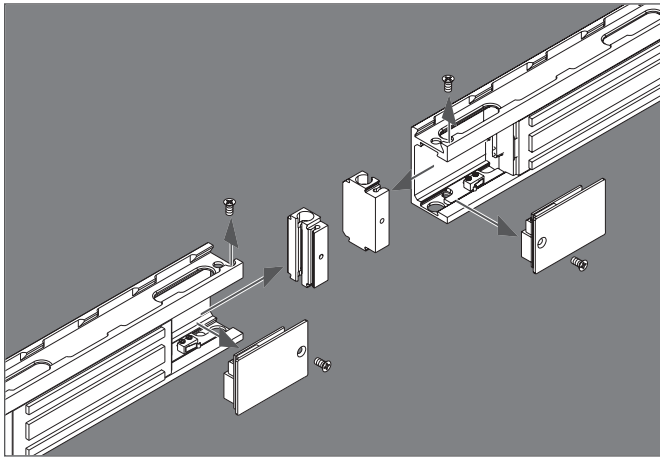


Double

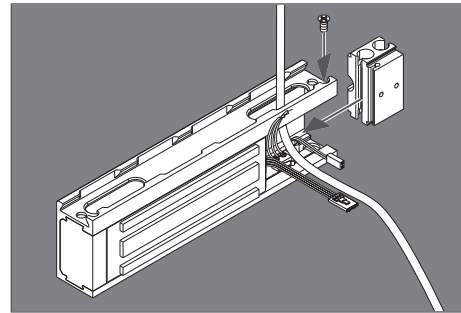


5 Double lock ONLY: Install join block.

5a Remove wiring covers and end blocks.

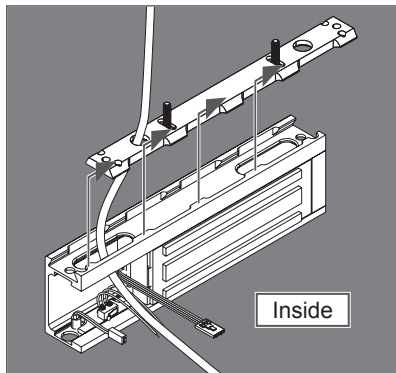


5b Install join block.

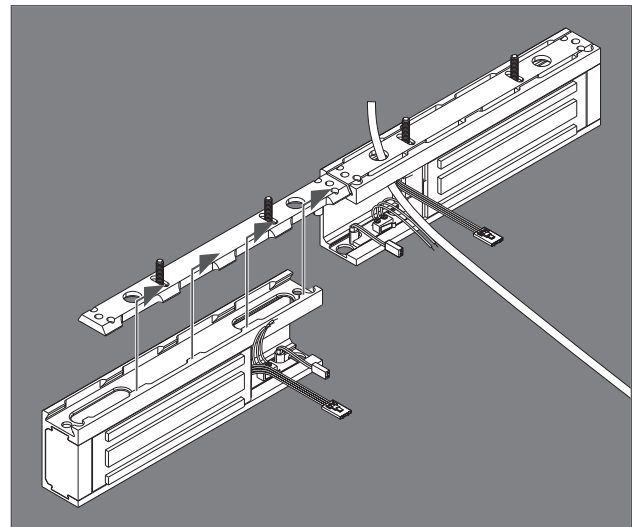


6 Install magnet(s).

6a SINGLE AND DOUBLE LOCKS: Slide magnet onto bracket.

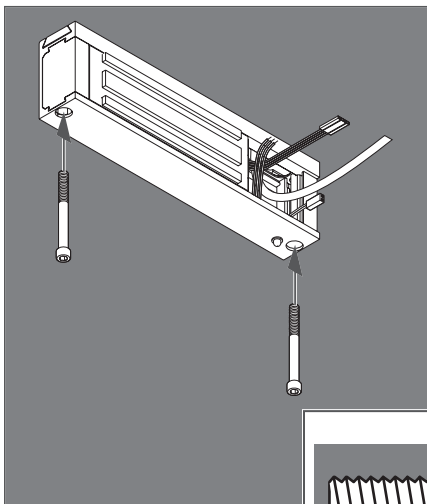


6b DOUBLE LOCK ONLY: Slide second magnet onto bracket. Join block slides into first magnet housing.

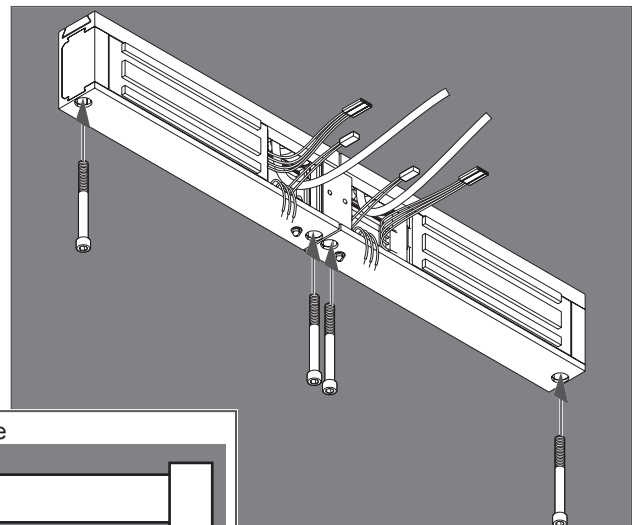


7 Secure magnet(s).

7a Single lock.



7b Double lock

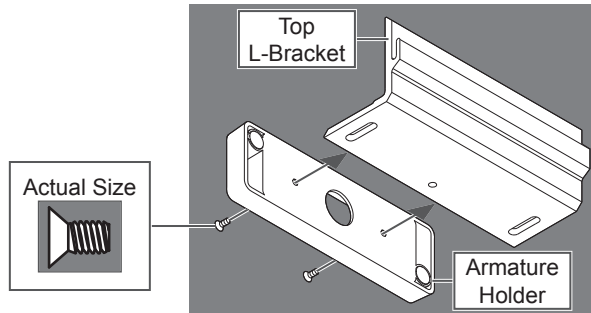


Actual Size



8 Assemble armature

8a Attach armature to top L-Bracket.



8c Attach bottom L-Bracket to door.

⚠ WARNING

The included sex nut is for 1 $\frac{1}{4}$ " (45 mm) doors ONLY. For other door thicknesses, please contact customer service, 1-877-671-7011. Using the incorrect sex nut for your door thickness will lead to improper function and possible injury.

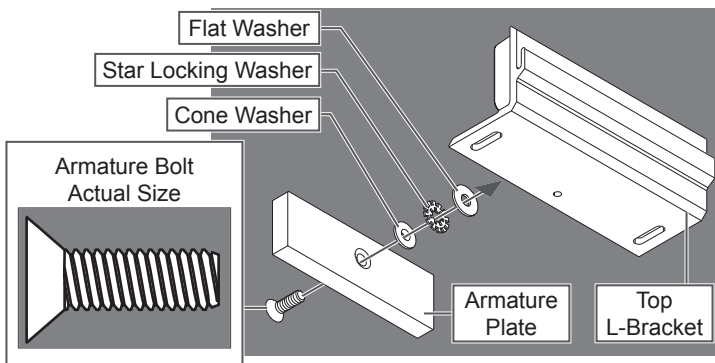
Armature bolt must be tightened to at least 120 in.-lbs. for all doors except composite wood doors. For composite wood doors, tighten only to tight and flush. 120 in.-lbs. may damage composite wood doors.

DO NOT back off bolt after tightening! Backing off the bolt after tightening will loosen the thread-locking patch, which may allow the bolt to loosen over time.

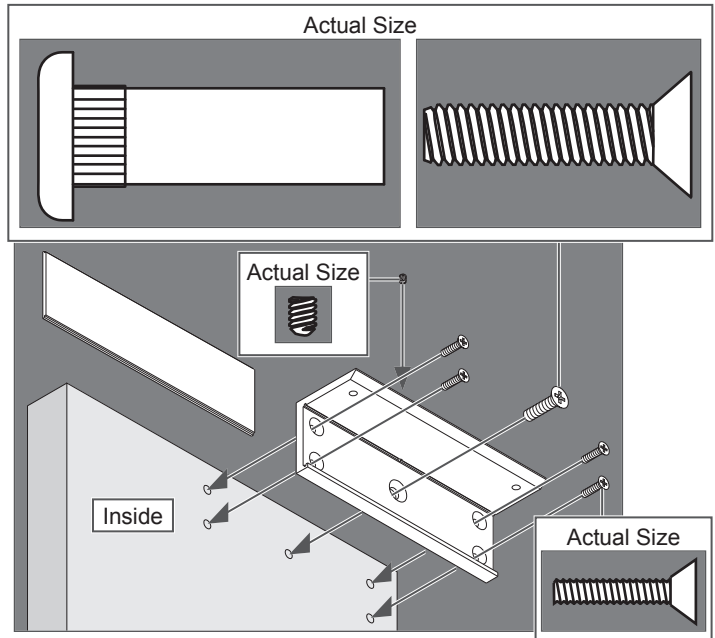
8b Attach armature plate to armature holder.

⚠ WARNING

Use bolt from TJ kit.
M490 armature must be disassembled to replace armature bolt.

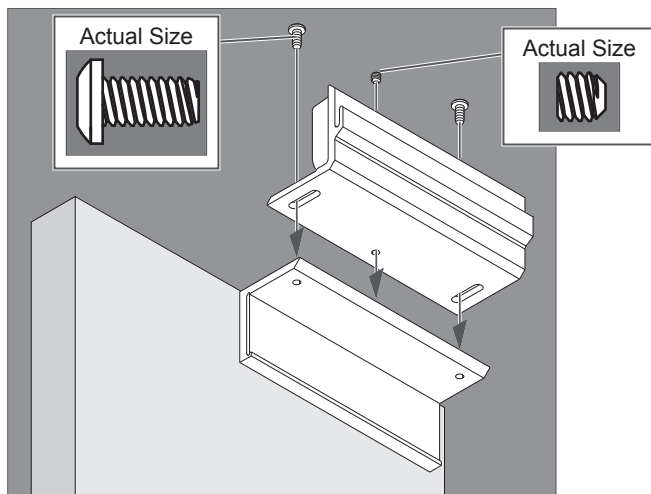


① Use bolt that came with lock.



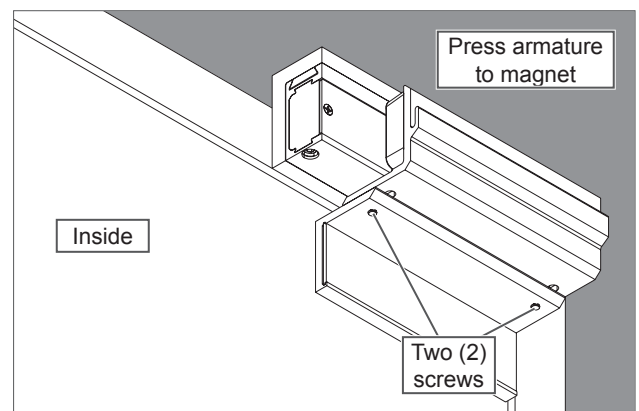
9 Attach and adjust armature.

9a Attach armature assembly to bottom L-Bracket



9b Adjust armature

- Close door.
- Press armature to fully engage with magnet.
- Fully tighten two screws and set screw to lock position.
- If double, repeat adjustment process on second door.



Customer Service

1-877-671-7011 www.allegion.com/us



© Allegion 2015
Printed in U.S.A.
44487312 Rev. 11/15-d