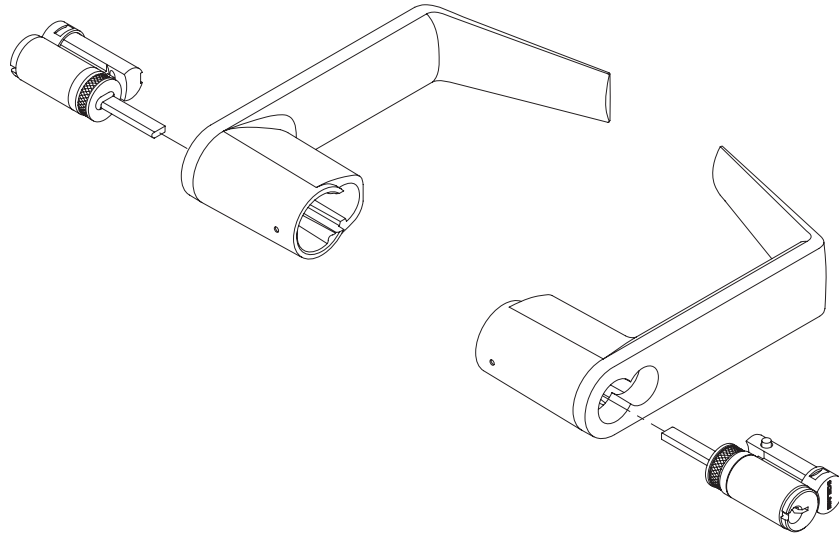


SCHLAGE®

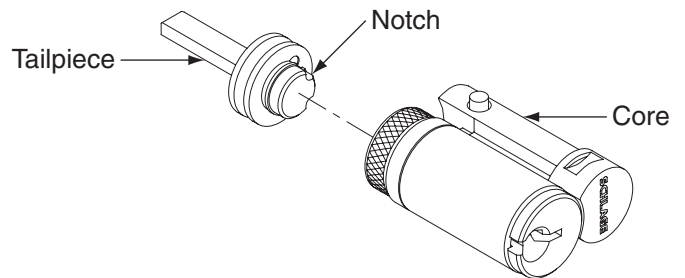
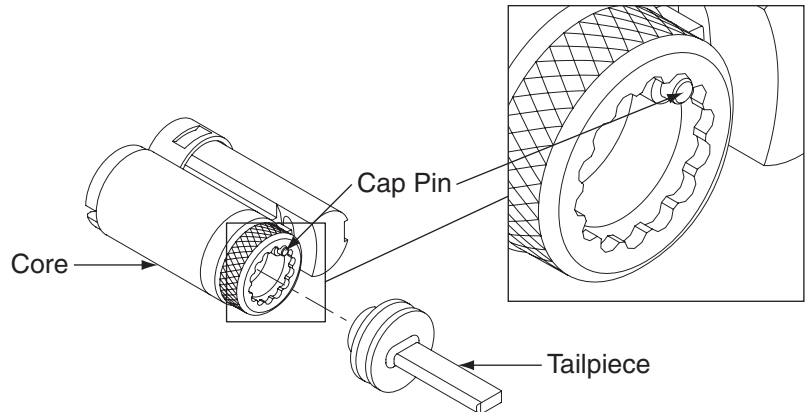
Installation Instructions



D-Series Full Size Interchangeable Core Tailpiece



1. Align tailpiece with core as shown.
2. Ensure notch is aligned with cap pin.
3. Snap tailpiece into place.



©2005 Ingersoll-Rand Company
Printed in U.S.A.
Rev. 01/05