



S-Series

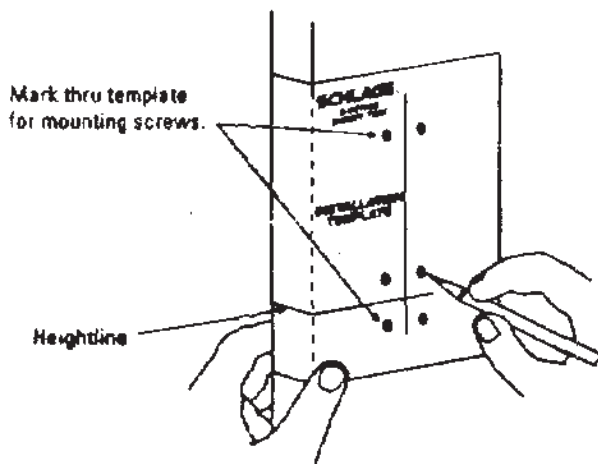
S290 Single Dummy Trim

Installation Instructions

1

Mark door

NOTE: Template provided with this lock is for a 2^{3/4}" (60mm) backset (edge of door to center of lock). For other backsets, match the backset distance of the other locks on the job.

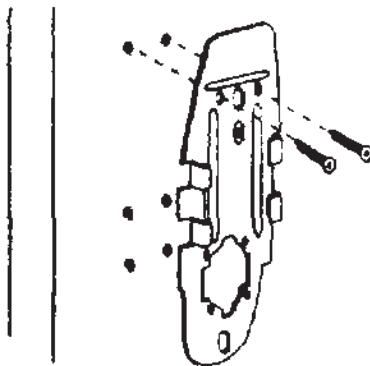


Place template on door at correct heightline and mark thru template for (6) mounting screws.

2

Install mounting plate

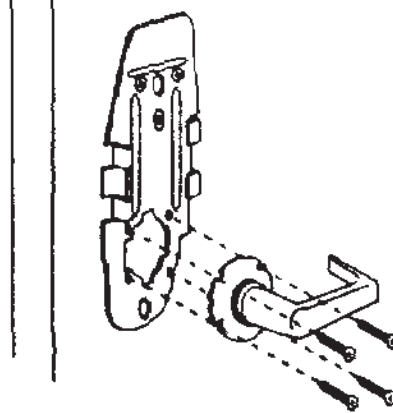
Fasten the mounting plate to the door with the top (2) screws.



3

Install lever assembly

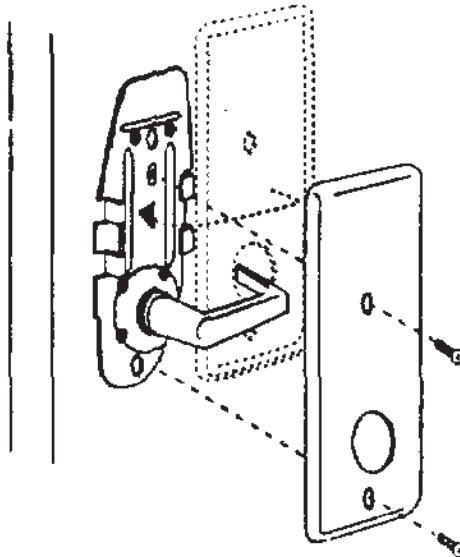
Place lever assembly into position and fasten to door with (4) remaining screws.



4

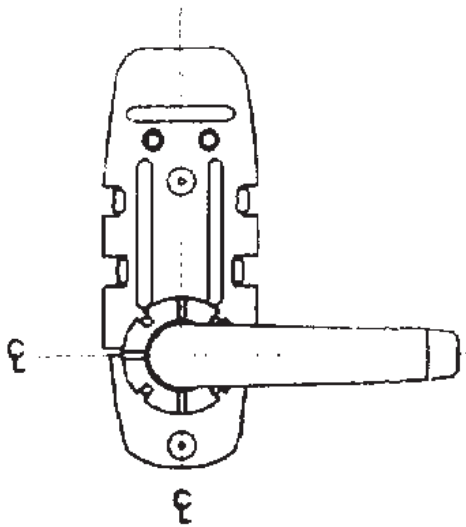
Install escutcheon

Slide escutcheon over lever and fasten to mounting plate with (2) provided screws.





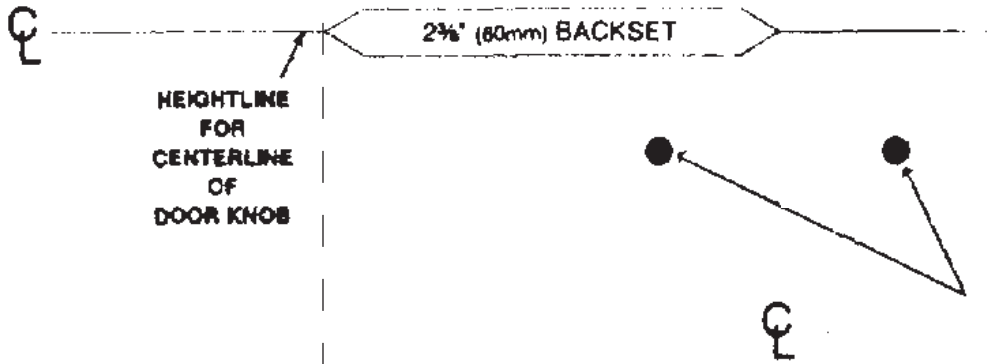
S-SERIES
DUMMY TRIM



FOLD HERE ON EDGE OF DOOR

INSTALLATION
TEMPLATE

MARK THRU
TEMPLATE FOR
(6) MOUNTING
SCREWS



©1994 Schlage Lock Company
Printed in USA P513-311

NOTE: Template provided with this lock is for a 2 1/4" (60mm) backset (edge of door to center of lock). For other backsets, match the backset distance of the other locks on the job.