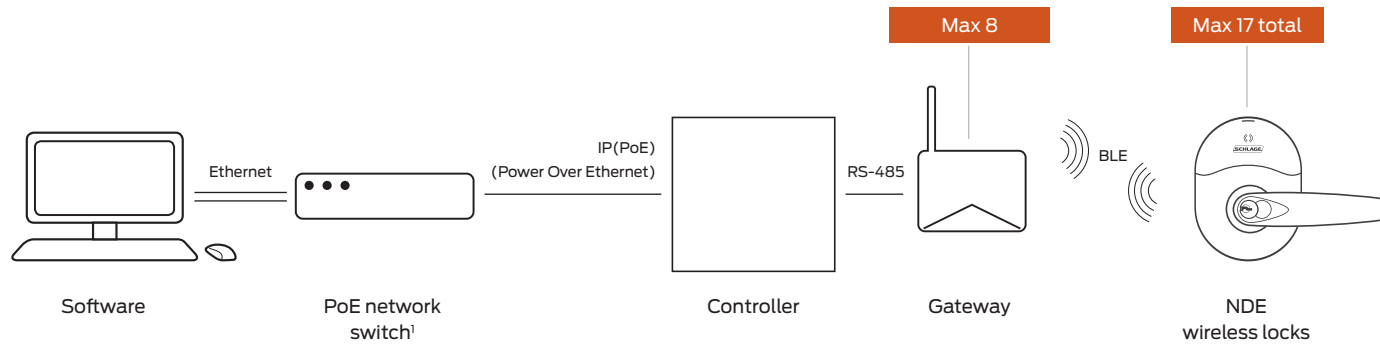




Gateway IP(PoE) integration for NDE wireless locks



¹ In order to have a UL Listed configuration a UL294 12VDC power supply must be used instead of PoE

Gateway communication range up to 30' in typical building environments; a detailed site survey is recommended.