

**SCHLAGE**

# B-Series

Service manual





# Contents

- 4 Introduction
- 4 Standard Features
- 4 Changes
  
- 5 Locks
- 6 Lock Assembly Drawing Index
- 7 Single Cylinder Deadlatch (Night Latch): B250
- 8 Double Cylinder Deadlatch : B252
- 9 Single Cylinder Deadbolt Lock: B560
- 10 One-Way Deadbolt Lock: B561
- 11 Double Cylinder Deadbolt Lock: B562
- 12 Classroom Deadbolt Lock: B563
- 13 Door Bolt Occupancy Indicator: B571
- 14 Door Bolt: B580
- 15 Door Bolt with Trim: B581
- 16 Single Cylinder Deadbolt Lock: B660/760/860
- 17 One-Way Deadbolt Lock: B661P/761/861
- 18 Double Cylinder Deadbolt Lock: B662P/762/862
- 19 Classroom Deadbolt Lock: B663P/763/863
- 20 Cylinder Lock: B664P/764/864
- 21 Door Bolt: B680
  
- 23 Options and Parts
- 24 Accessories, Adapters and Special Parts
- 26 Cylinders
- 30 Deadlatches, Deadbolts and Strikes
- 32 Screws and Screw Packs
- 36 Trim

# Introduction

This manual contains a complete listing of B-Series deadbolt lock parts and assemblies manufactured by the Schlage Lock Company. This edition lists components of B-Series locks manufactured after June, 2013. This manual provides exploded views of each lock chassis and trim assembly with an accompanying chart to identify parts for replacement purposes, along with lock trim ordering procedures, general cylinder information, and all auxiliary components of the B-Series deadbolt locks.

## Standard Features

Locks are furnished with standard features unless otherwise specified.



	<b>B250 Series</b>	<b>B500 Series</b>	<b>B600/700/800 Series</b>
Certification	ANSI/BHMA Certified A156.36-2010, Grade 2 auxiliary lock.	ANSI A156.36, 2010, Grade 2. Available UL Listed for 3-hour fire door (except B571)  With FSIC Interchangeable Core Cylinders: Grade 2  With SFIC Interchangeable Core Cylinders: Grade 3	ANSI/BHMA Certified A156.36-2010, Grade 1 auxiliary lock.  With FSIC Interchangeable Core Cylinders: Grade 2  With SFIC Interchangeable Core Cylinders: Grade 3  UL Listed for 3-hour fire door, B800-Series is UL437 listed.
Latch/Deadbolt	1 1/8" x 2 1/4", Square corner faceplate, 1" housing diameter, 9/16" throw deadlatch	1" x 2 1/4", Square corner faceplate, 1" housing diameter, 1" throw	1 1/8" x 2 1/4", Square corner faceplate, 1" housing diameter, 1" throw
Strike	1 1/8" x 2 3/4", Square corner, T-strike, box	1 1/8" x 2 3/4", Square corner, box	1 1/8" x 2 3/4", Square corner, box
Backset	2 3/8"	Adjustable for 2 3/8" or 2 3/4"	2 3/4"
Cylinder	6-Pin solid brass, keyed 6-pin, S123 keyway, keyed different (KD)	6-Pin solid brass, keyed 6-pin, S123 keyway, keyed different (KD)	6-Pin solid brass, keyed 6-pin, S123 keyway, keyed different (KD)
Door Range	1 1/2" – 1 3/4" standard cylinder, 1 1/2" - 2 1/8" interchangeable core cylinder	1 3/8" – 1 7/8" standard cylinder or thumbturn only, 1 5/8" - 2" interchangeable core cylinder	1 5/8" – 2"
Keys	Two nickel silver cut keys per lock, 6-pin, S123 section	Two cut keys per lock, 6-pin, S123 section	Two nickel silver cut keys per lock, 6-pin, S123 section
Reinforcement	—	Metal dust box reinforcer with three - 3" screws	Metal dust box reinforcer with two 3" screws
Trim Rings	7/16" and 1/8" reinforced with security inserts	1" reinforced with security insert	7/8"

## Changes

<b>Date</b>	<b>Change</b>
September 2016	New Document

# Locks

- 6 Lock Assembly Drawing Index
- 7 Single Cylinder Deadlatch (Night Latch): B250
- 8 Double Cylinder Deadlatch : B252
- 9 Single Cylinder Deadbolt Lock: B560
- 10 One-Way Deadbolt Lock: B561
- 11 Double Cylinder Deadbolt Lock: B562
- 12 Classroom Deadbolt Lock: B563
- 13 Door Bolt Occupancy Indicator: B571
- 14 Door Bolt: B580
- 15 Door Bolt with Trim: B581
- 16 Single Cylinder Deadbolt Lock: B660/760/860
- 17 One-Way Deadbolt Lock: B661P/761/861
- 18 Double Cylinder Deadbolt Lock: B662P/762/862
- 19 Classroom Deadbolt Lock: B663P/763/863
- 20 Cylinder Lock: B664P/764/864
- 21 Door Bolt: B680

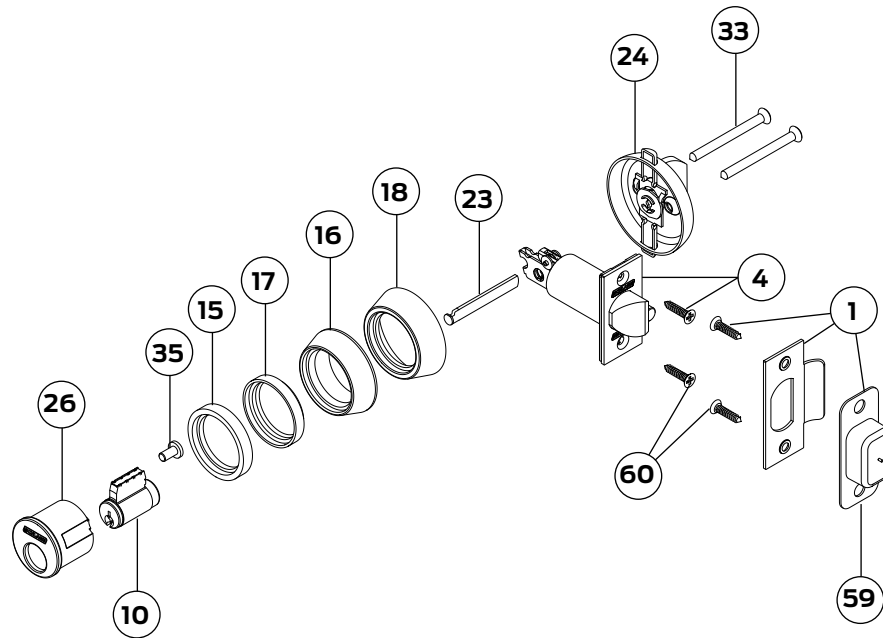
## Lock Assembly Drawing Index

Function		ANSI	Description	Function	Drawing
Schlage					
B250PD		E0122	<b>Single Cylinder Deadlatch (Night Latch)</b>	Deadlocking latchbolt retracted by key from outside or by inside turn unit. Rotating turn unit and activating hold-back feature keeps latch retracted.	7
B252PD		E0112	<b>Double Cylinder Deadlatch*</b>	Deadlocking latchbolt retracted by key from either side. No hold-back feature.	8
B560P		E0152	<b>Single Cylinder Deadbolt</b>	Deadbolt thrown or retracted by key from outside or by inside turn unit. Bolt automatically deadlocks when fully thrown.	9
B561P		E0162	<b>One-Way Deadbolt</b>	Deadbolt thrown or retracted by key only. Blank plate inside. Bolt automatically deadlocks when fully thrown.	10
B562P		E0142	<b>Double Cylinder Deadbolt*</b>	Deadbolt thrown or retracted by key either side. Bolt automatically deadbolts when fully thrown.	11
B563P		E0172	<b>Classroom Deadbolt</b>	Deadbolt thrown or retracted by key outside. Inside turn unit will retract bolt only. Bolt automatically deadlocks when fully thrown.	12
B571			<b>Door Bolt Occupancy Indicator</b>	Deadbolt thrown or retracted by inside turn unit. Occupancy indicator on outside (reads either in use or vacant). Requires 1 1/2" cross bore prep. Not UL Rated.	13
B580		E0192	<b>Door Bolt</b>	Deadbolt thrown or retracted by turn unit only. No outside trim. Bolt automatically deadlocks when fully thrown. Requires 1 1/2" cross bore prep.	14
B581		E01112	<b>Door Bolt with Trim</b>	Deadbolt thrown or retracted by turn unit only. Outside blank plate. Bolt automatically deadlocks when fully thrown. Requires 1 1/2" cross bore prep.	15
B660P B760P B860P		E0151	<b>Single Cylinder Deadbolt</b>	Deadbolt thrown or retracted by key. Bolt automatically deadlocks when fully thrown.	16
B661P B761P B861P		E0161	<b>One-Way Deadbolt</b>	Deadbolt thrown or retracted by key only. Blank plate inside. Bolt automatically deadlocks when fully thrown.	17
B662 B762 B862		E0141	<b>Double Cylinder Deadbolt*</b>	Deadbolt thrown or retracted by key from either side. Bolt automatically deadlocks when fully thrown.	18
B663 B763 B863		E0171	<b>Classroom Deadbolt</b>	Deadbolt thrown or retracted by key outside. Inside turn unit will retract bolt only. Bolt automatically deadlocks when fully thrown.	19
B664 B764 B864		E0101	<b>Cylinder Lock</b>	Deadbolt thrown or retracted by key from one side. No inside trim. Bolt automatically deadlocks when fully thrown. Requires 1 1/2" cross bore only.	20
B680		E0191	<b>Door Bolt</b>	Deadbolt thrown or retracted by turn unit only. No outside trim. Bolt automatically deadlocks when fully thrown. Requires 1 1/2" cross bore only. Door range is 1 3/8" - 2 1/2".	21

\* Caution: Double cylinder locks on residences and any door in any structure which is used for egress are a life safety hazard in times of emergency and their use is not recommended. Installation should be in accordance with existing codes only.

## Locks

### Single Cylinder Deadlatch (Night Latch): B250

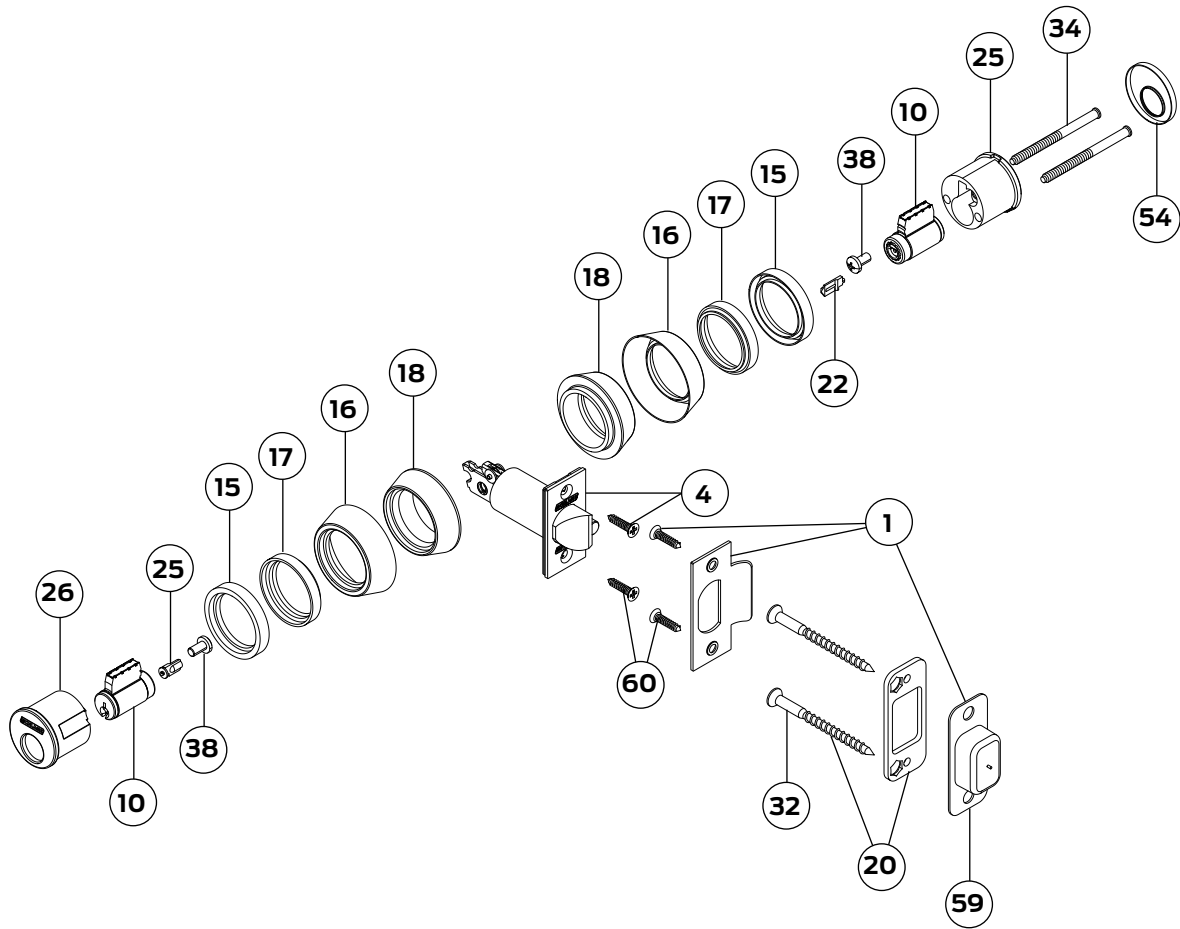


No.	Description	Part No.
1	Strike with dust box and screws (2)	10-001
4	Deadlatch, square corner, with screws (2)	12-100
10	Cylinder, 6-pin, conventional	22-002
15	Trim ring, 1/8"	36-066
16	Trim ring, 7/16"	36-067
17	Security insert, 1/8"	36-068
18	Security insert, 7/16"	36-069

No.	Description	Part No.
23	Tailpiece, single cylinder	B202-558
24	Rose and turn with holdback	B202-672
26	Housing, cylinder, outside	B202-824
33	Screw, mounting, single cylinder	B520-087
35	Screw, cylinder retainer	B520-298
59	Box for t-strike	C603-623
60	Screw, 8 X 3/4" deadbolt and strike	C603-897

‡ For 5-pin cylinders, see page 26.

# Double Cylinder Deadlatch : B252

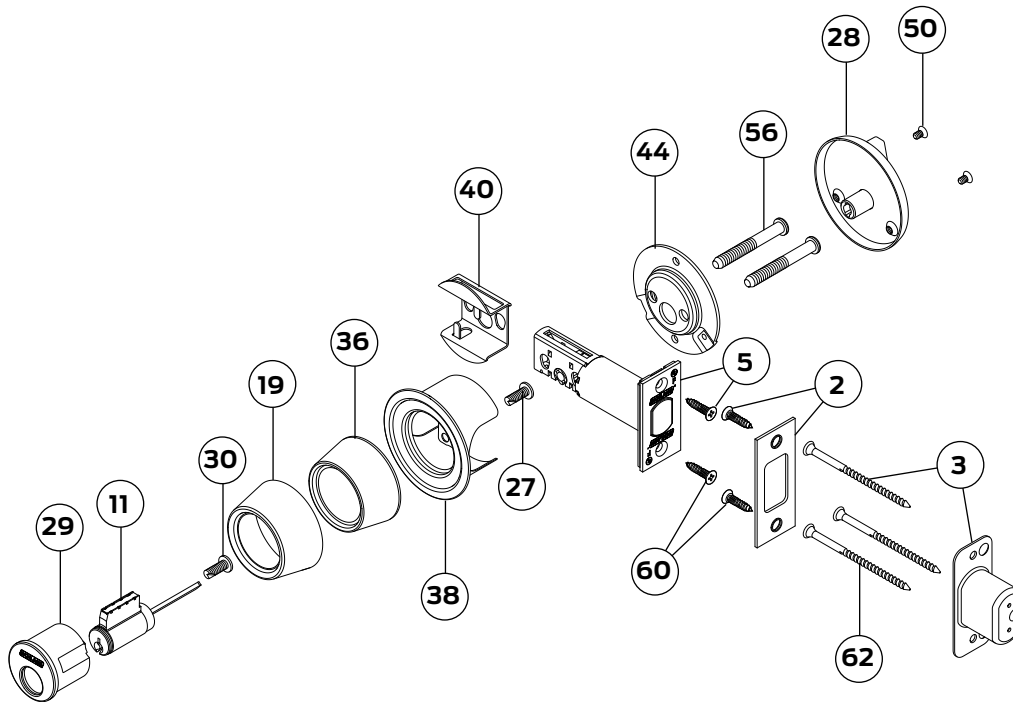


No.	Description	Part No.
1	Strike with dust box and screws (2)	10-001
4	Deadlatch, square corner, with screws (2)	12-100
10	Cylinder, 6-pin, conventional	22-002
15	Trim ring, 1/8"	36-066
16	Trim ring, 7/16"	36-067
17	Security insert, 1/8"	36-068
18	Security insert, 7/16"	36-069
20	Strike, reinforcement, with screws (2)	37-016
22	Tailpiece, double cylinder	B202-369

No.	Description	Part No.
25	Housing, cylinder, inside	B202-825
26	Housing, cylinder, outside	B202-824
32	Screw, reinforcement strike	B502-873
34	Screws, 10-32 x 2 1/2"	B520-267
35	Screw, cylinder retainer	B520-298
54	Faceplate, inside snap-on	B600-092
59	Box for t-strike	C603-623
60	Screw, 8 X 3/4" deadbolt and strike	C603-897



# Single Cylinder Deadbolt Lock: B560



① For IC parts, see page 27.

No.	Description	Part No.
2	Strike with screws (2)	10-094
3	Dust box, metal with screws (3)	10-112
5	Deadbolt, square corner, with screws (2)	12-288
11	Cylinder, 6-pin, conventional	22-003
19	Trim ring, 1"	36-086
27	Screw, cylinder retainer	B300-108*
28	Rose and turn	B302-041
29	Housing, cylinder, outside, conventional	B302-043

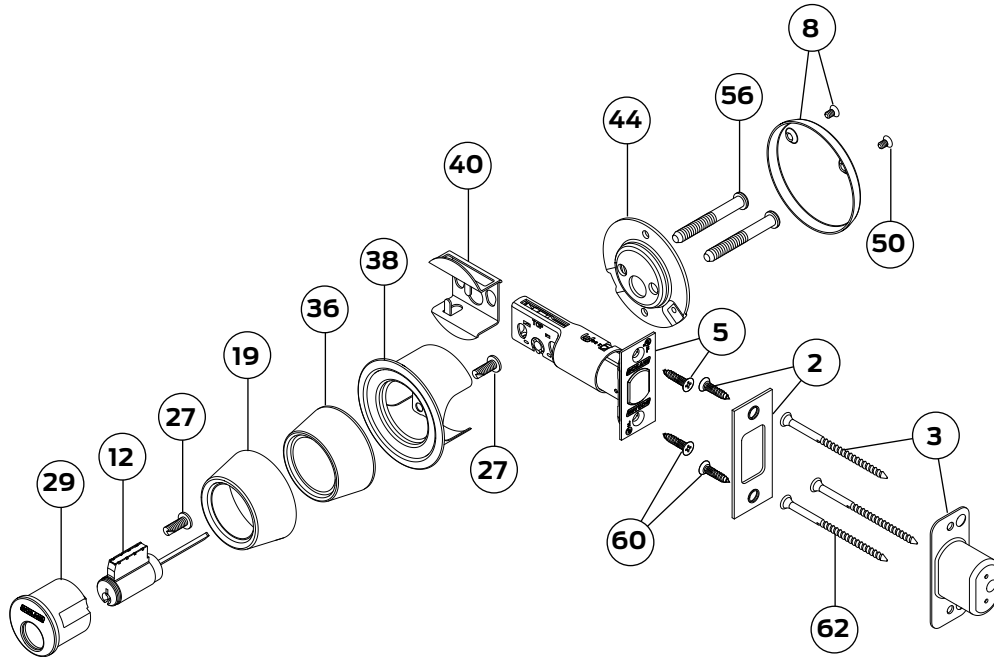
No.	Description	Part No.
36	Security insert, collar	B520-541
38	Trim ring with shield	B520-649
40	UL fire cup	B520-657*
44	Mounting plate, rose and turn	B600-018†
50	Screw, 6-32 X 1/4"	B600-066†
56	Screw, 1/4"-28 X 1-15/16"	B600-100†
60	Screw, 8 X 3/4" deadbolt and strike	C603-897†
62	Screws, 3" metal dust box	R525-256

\* Not sellable.

† Also sold as screw pack 61-500. See page 34 for more information.

## Locks

### One-Way Deadbolt Lock: B561



① For IC parts, see page 27.

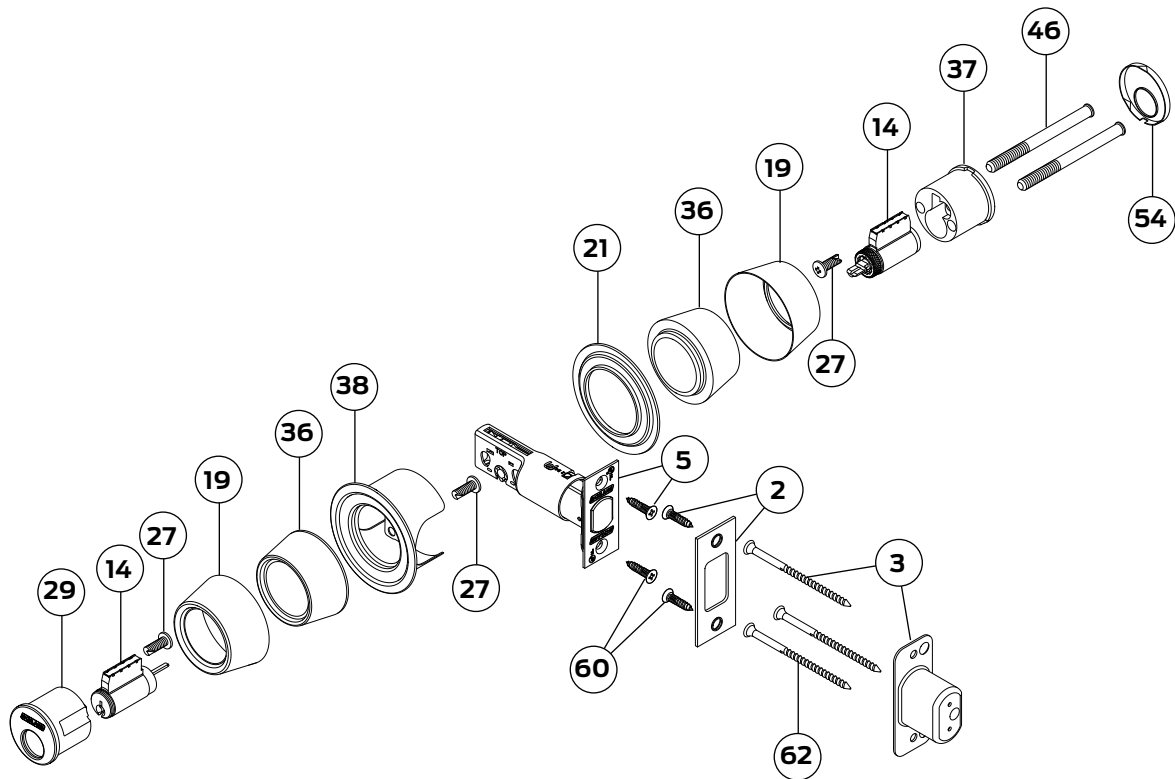
No.	Description	Part No.
2	Strike with screws (2)	10-094
3	Dust box, metal with screws (3)	10-112
5	Deadbolt, square corner, with screws (2)	12-288
8	Blank rose, inside, with screws (2)	12-626
12	Cylinder, 6-pin, conventional	22-069
19	Trim ring, 1"	36-086
27	Screw, cylinder retainer	B300-108
29	Housing, cylinder, outside, conventional	B302-043

No.	Description	Part No.
36	Security insert, collar	B520-541
38	Trim ring with shield	B520-649
40	UL fire cup	B520-657*
44	Mounting plate, rose and turn	B600-018 †
50	Screw, 6-32 X 1/4"	B600-066 †
56	Screw, 1/4"-28 X 1-15/16"	B600-100 †
60	Screw, 8 X 3/4" deadbolt and strike	C603-897 †
62	Screws, 3" metal dust box	R525-256

\* Not sellable.

† Also sold as screw pack 61-500. See page 34 for more information.

# Double Cylinder Deadbolt Lock: B562



① For IC parts, see page 27.

No.	Description	Part No.
2	Strike with screws (2)	10-094
3	Dust box, metal with screws (3)	10-112
5	Deadbolt, square corner, with screws (2)	12-288
14	Cylinder, 6-pin, conventional	22-645
19	Trim ring, 1"	36-086
21	Adapter ring, 2 1/2" diameter	38-031
27	Screw, cylinder retainer	B300-108
29	Housing, cylinder, outside, conventional	B302-043

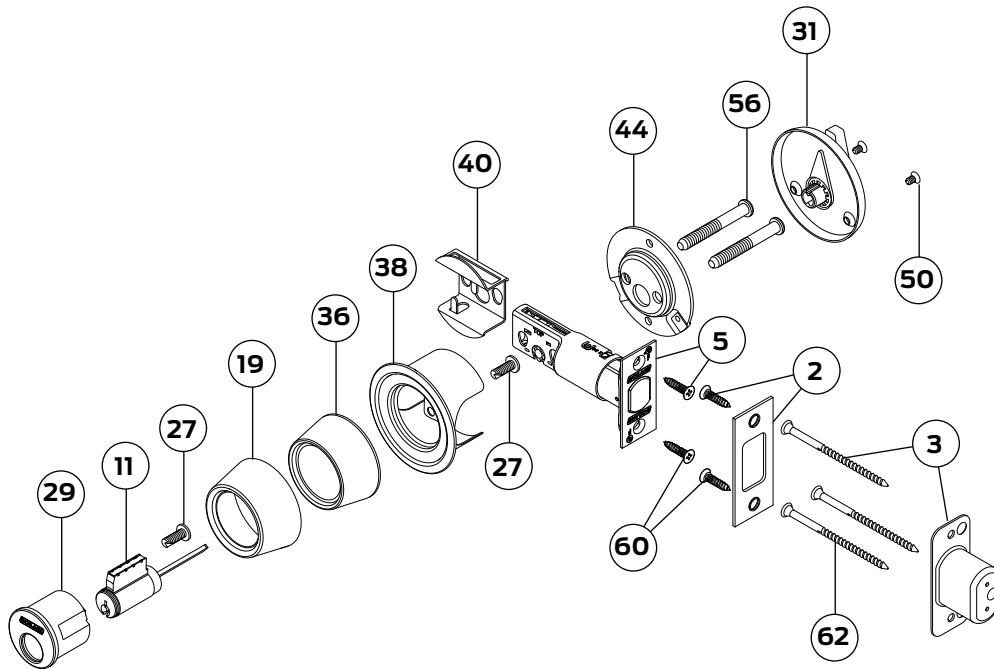
No.	Description	Part No.
36	Security insert, collar	B520-541
37	Housing, cylinder, inside, conventional	B520-648
38	Trim ring with shield	B520-649
46	Screws, 1/4" -28 X 3-13/64	B600-047 †
54	Faceplate, inside snap-on	B600-092
60	Screw, 8 X 3/4" deadbolt and strike	C603-897 †
62	Screws, 3" metal dust box	R525-256

\* Not sellable.

† Also sold as screw pack 61-502. See page 35 for more information.

## Locks

### Classroom Deadbolt Lock: B563



① For IC parts, see page 27.

No.	Description	Part No.
2	Strike with screws (2)	10-094
3	Dust box, metal with screws (3)	10-112
5	Deadbolt, square corner, with screws (2)	12-288
11	Cylinder, 6-pin, conventional	22-003
19	Trim ring, 1"	36-086
27	Screw, cylinder retainer	B300-108
29	Housing, cylinder, outside, conventional	B302-043
31	Rose and turn, classroom	B302-045

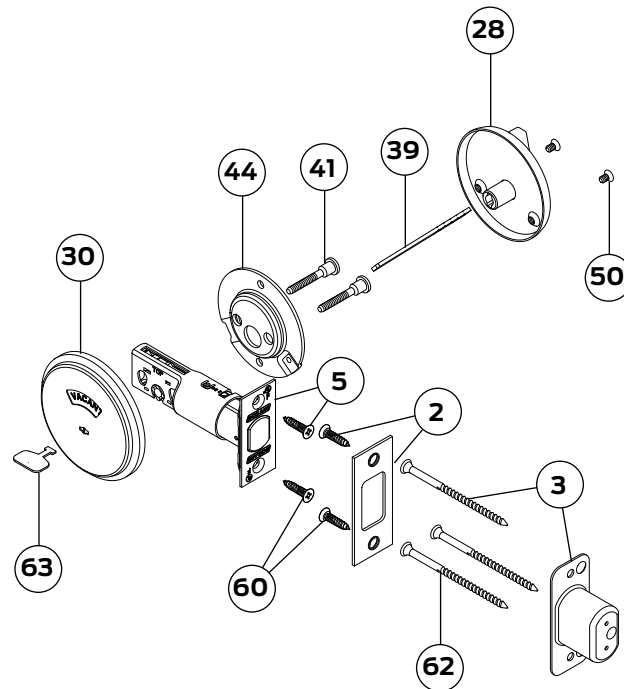
No.	Description	Part No.
36	Security insert, collar	B520-541
38	Trim ring with shield	B520-649
40	UL fire cup	B520-657*
44	Mounting plate, rose and turn	B600-018 †
50	Screw, 6-32 X 1/4"	B600-066 †
56	Screw, 1/4"-28 X 1-15/16"	B600-100 †
60	Screw, 8 X 3/4" deadbolt and strike	C603-897 †
62	Screws, 3" metal dust box	R525-256

\* Not sellable.

† Also sold as screw pack 61-500. See page 34 for more information.

## Locks

### Door Bolt Occupancy Indicator: B571



No.	Description	Part No.
2	Strike with screws (2)	10-094
3	Dust box, metal with screws (3)	10-112
5	Deadbolt, square corner, with screws (2)	12-288
28	Rose and turn	B302-041
30	Outside assembly, indicator lock	B302-044*
39	Tailpiece, keyless B571	B520-653
41	Screw, mounting	B520-662

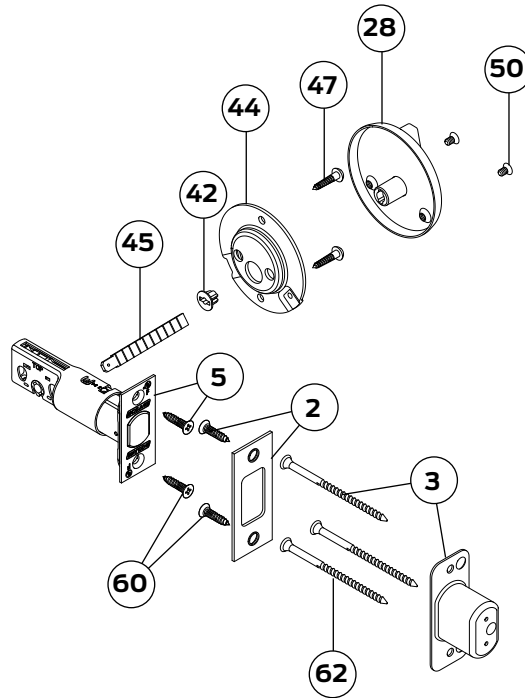
No.	Description	Part No.
44	Mounting plate, rose and turn	B600-018 †
50	Screw, 6-32 X 1/4"	B600-066 †
60	Screw, 8 X 3/4" deadbolt and strike	C603-897 †
62	Screws, 3" metal dust box	R525-256
63	Key, Emergency release	61-509
-	Key, Emergency release, large bow (not shown)	61-510

\* Not sellable.

† Also sold as screw pack 61-504. See page 35 for more information.

**Locks**

Door Bolt: B580



No.	Description	Part No.
2	Strike with screws (2)	10-094
3	Dust box, metal with screws (3)	10-112
5	Deadbolt, square corner, with screws (2)	12-288
28	Rose and turn	B302-041
42	Retainer, driver bar	B520-679*
44	Mounting plate, rose and turn	B600-018 †

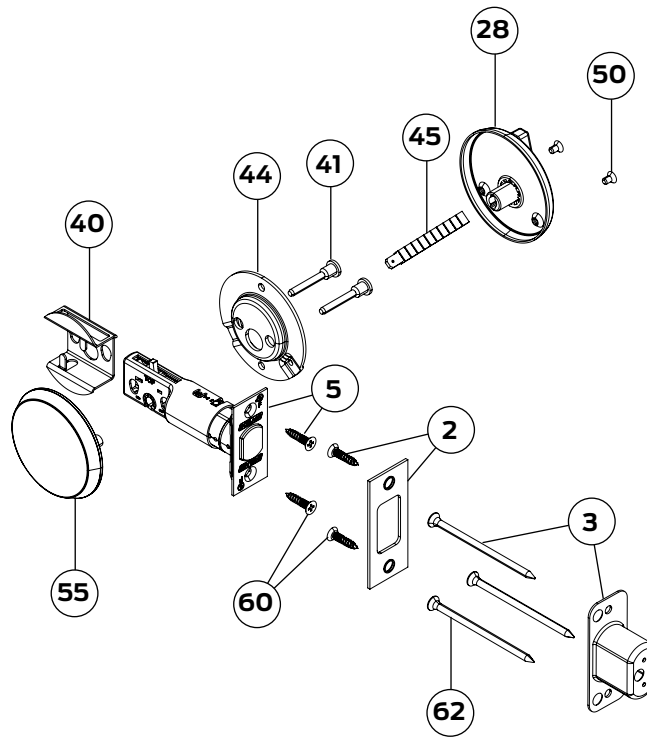
No.	Description	Part No.
45	Tailpiece	B600-041
47	Screws, mounting plate, 8-32 X 1/2", machine	B600-048 †
50	Screw, 6-32 X 1/4"	B600-066 †
60	Screw, 8 X 3/4" deadbolt and strike	C603-897 †
61	Screw, mounting plate, wood	F506-359
62	Screws, 3" metal dust box	R525-256

\* Not sellable.

† Also sold as screw pack 61-506. See page 34 for more information.

**Locks**

Door Bolt with Trim: B581



No.	Description	Part No.
2	Strike with screws (2)	10-094
3	Dust box, metal with screws (3)	10-112
5	Deadbolt, square corner, with screws (2)	12-288
28	Rose and turn	B302-041
40	UL fire cup	B520-657*
41	Screw, mounting	B520-662 †

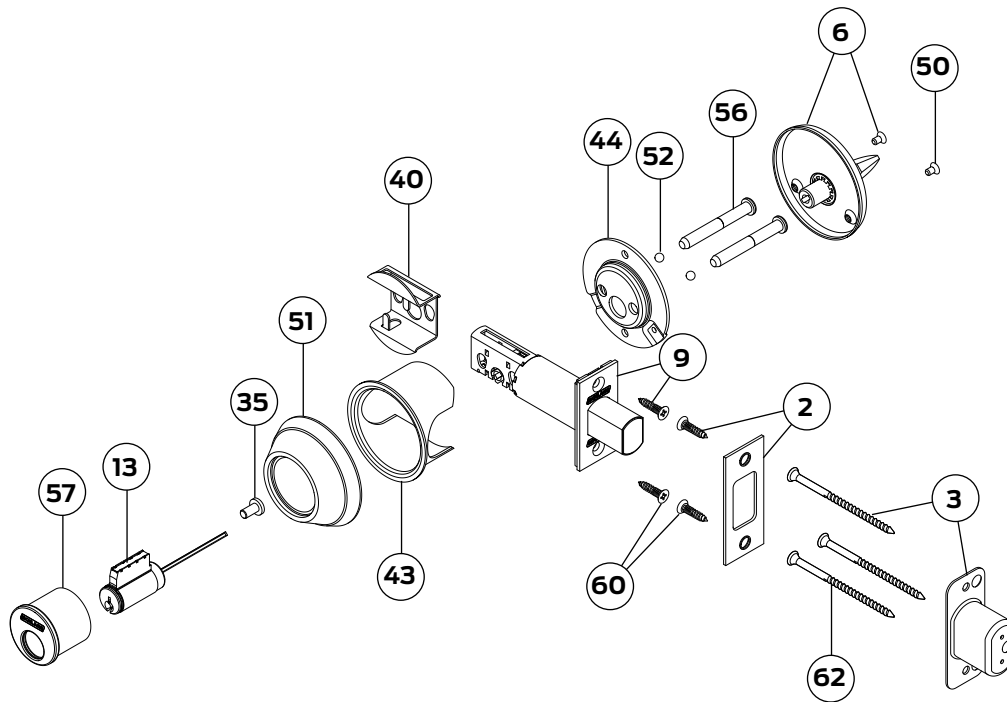
No.	Description	Part No.
44	Mounting plate, rose and turn	B600-018 †
45	Tailpiece	B600-041
50	Screw, 6-32 X 1/4"	B600-066 †
55	Mounting plate, blank	38-034
60	Screw, 8 X 3/4" deadbolt and strike	C603-897 †
62	Screws, 3" metal dust box	R525-256

\* Not sellable.

† Also sold as screw pack 61-504. See page 35 for more information.

## Locks

# Single Cylinder Deadbolt Lock: B660/760/860



No.	Description	Part No.
2	Strike with screws (2)	10-094
3	Dust box, metal with screws (3)	10-112
6	Rose and turn with screws (2)	12-617
9	Deadbolt with screws (2)	12-631
13	Cylinder, B660P, 6-pin, conventional	22-644 ‡
	Cylinder, B760P, 6-pin, Primus	20-744 ‡
	Cylinder, B860P, 6-pin, Primus High Security	20-544 ‡
35	Screw, cylinder retainer	B520-298
40	UL fire cup	B520-657*

No.	Description	Part No.
43	Security shield for 2-1/8" door prep	B600-017
44	Mounting plate, rose and turn	B600-018 †
50	Screw, 6-32 X 1/4"	B600-066 †
51	Spin ring	B600-070
52	Ball	B610-250
56	Screw, 1/4"-28 X 1-15/16"	B600-100 **
57	Housing, cylinder, outside	B610-025
60	Screw, 8 X 3/4" deadbolt and strike	C603-897
62	Screws, 3" metal dust box	R525-256

\* Not sellable.

\*\* Also sold as screw pack B610-050. See page 35 for more information.

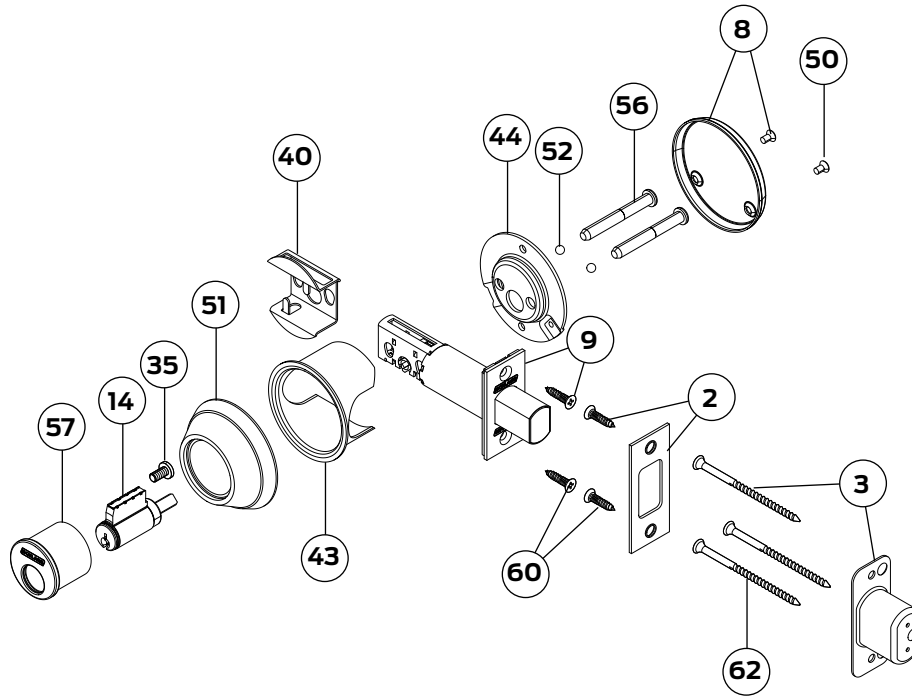
† Also sold as screw pack B610-250. See page 35 for more information.

‡ For additional cylinders, see pages 28 - 28.



**Locks**

One-Way Deadbolt Lock: B661P/761/861



No.	Description	Part No.
2	Strike with screws (2)	10-094
3	Dust box, metal with screws (3)	10-112
8	Blank rose, inside, with screws (2)	12-626
9	Deadbolt with screws (2)	12-631
14	Cylinder, B661P, 6-pin, conventional	22-642 ‡
	Cylinder, B761XP, 6-pin, Primus	20-742 ‡
	Cylinder, B861XP, 6-pin, Primus High Security	20-542 ‡
35	Screw, cylinder retainer	B520-298
40	UL fire cup	B520-657*

No.	Description	Part No.
43	Security shield for 2-1/8" door prep	B600-017
44	Mounting plate, rose and turn	B600-018 †
50	Screw, 6-32 X 1/4"	B600-066 †
51	Spin ring	B600-070
52	Ball (as screwpack)	B610-250
56	Screw, 1/4"-28 X 1-15/16"	B600-100 †
57	Housing, cylinder, outside	B610-025
60	Screw, 8 X 3/4" deadbolt and strike	C603-897
62	Screws, 3" metal dust box	R525-256

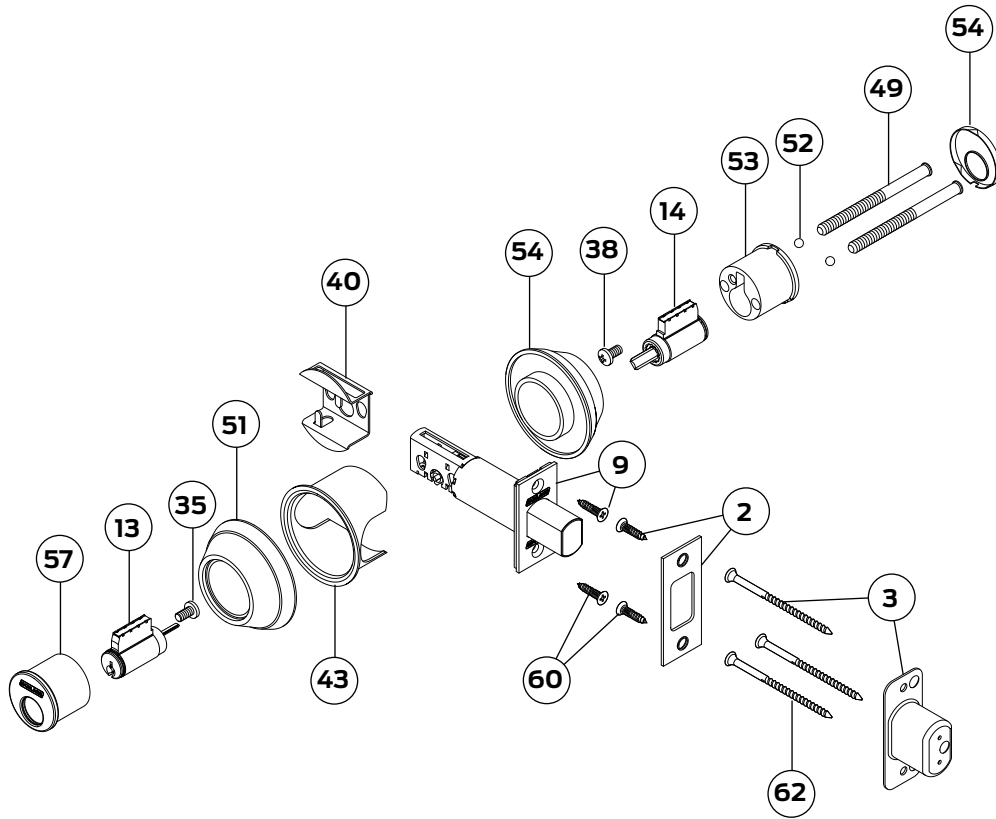
\* Not sellable.

† Also sold as screw pack B610-250. See page 36 for more information.

‡ For additional cylinders, see pages 28 - 28.

## Locks

### Double Cylinder Deadbolt Lock: B662P/762/862



No.	Description	Part No.
2	Strike with screws (2)	10-094
3	Dust box, metal with screws (3)	10-112
9	Deadbolt with screws (2)	12-631
13	Cylinder, B662P, 6-pin, conventional	22-085 ‡
	Cylinder, B762P, 6-pin, Primus	20-745 ‡
	Cylinder, B862P, 6-pin, Primus High Security	20-545 ‡
35	Screw, cylinder retainer	B520-298
40	UL fire cup	B520-657*
43	Security shield for 2-1/8" door prep	B600-017

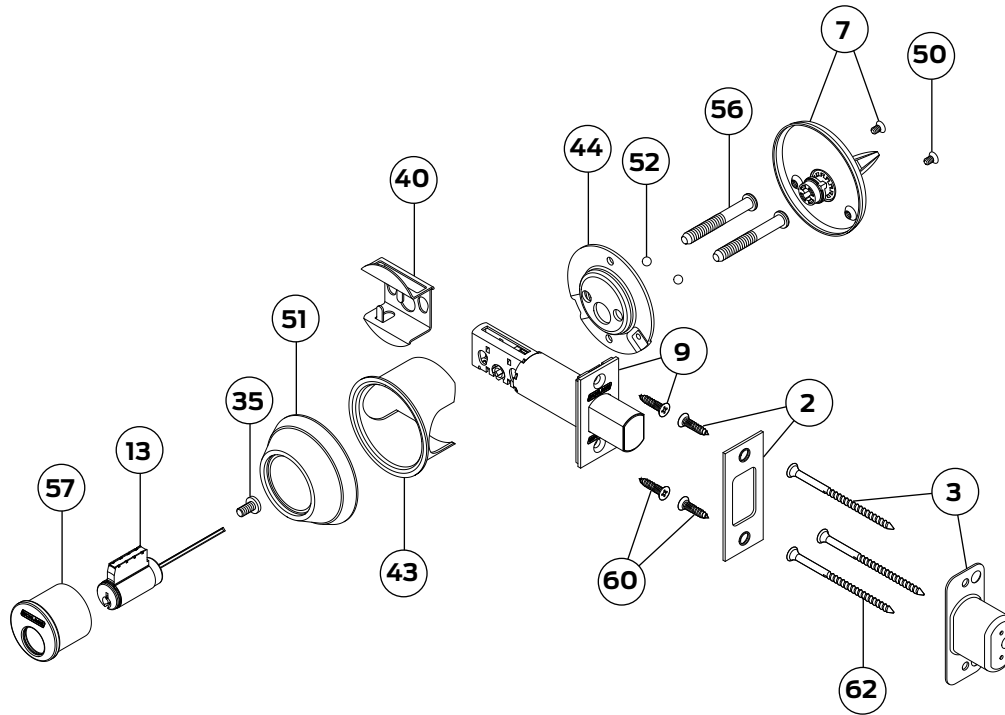
No.	Description	Part No.
49	Screw, 1/4"-28 X 2-61/64	B600-053
51	Spin ring	B600-070
52	Ball (as screw pack)	B610-253
53	Housing, cylinder, inside	B610-253
54	Faceplate, inside snap-on	B600-092
57	Housing, cylinder, outside	B610-025
60	Screw, 8 X 3/4" deadbolt and strike	C603-897
62	Screws, 3" metal dust box	R525-256

\* Not sellable.

‡ For additional cylinders, see page 28.

**Locks**

**Classroom Deadbolt Lock: B663P/763/863**



No.	Description	Part No.
2	Strike with screws (2)	10-094
3	Dust box, metal with screws (3)	10-112
7	Rose and turn, classroom	12-618**
9	Deadbolt with screws (2)	12-631
13	Cylinder, B663P, 6-pin, conventional	22-644 ‡
	Cylinder, B763P, 6-pin, Primus	20-744 ‡
	Cylinder, B863P, 6-pin, Primus High Security	20-544 ‡
35	Screw, cylinder retainer	B520-298
40	UL fire cup	B520-657*

No.	Description	Part No.
43	Security shield for 2-1/8" door prep	B600-017
44	Mounting plate, rose and turn	B600-018 †
50	Screw, 6-32 X 1/4"	B600-066 †
51	Spin ring	B600-070
52	Ball	B610-250
56	Screw, 1/4"-28 X 1-15/16"	B600-100 †
57	Housing, cylinder, outside	B610-025
60	Screw, 8 X 3/4" deadbolt and strike	C603-897
62	Screws, 3" metal dust box	R525-256

\* Not sellable.

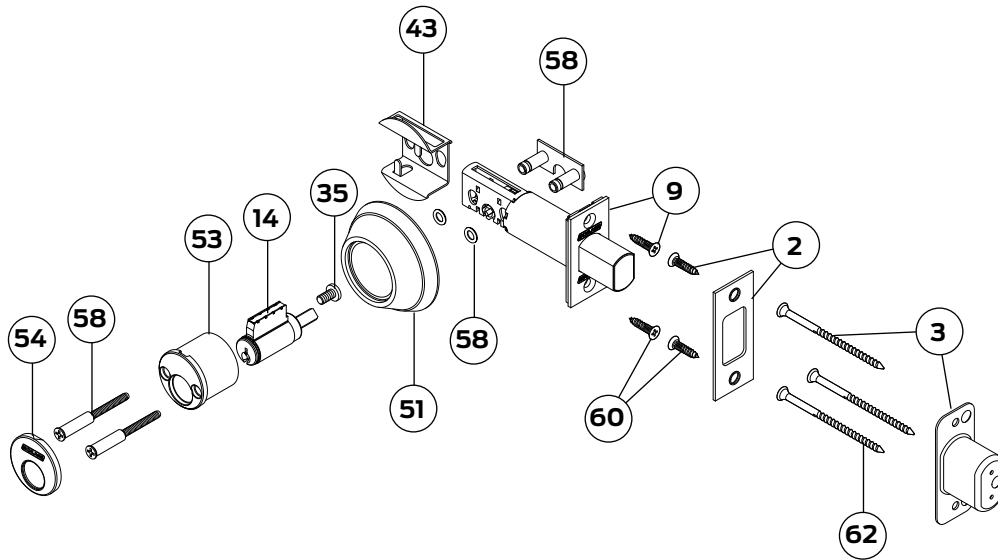
\*\* Driver and stop also sold as classroom driver kit 12-625. See page 36 for more information.

† Also sold as screw pack B610-250. See page 36 for more information.

‡ For additional cylinders, see page 28.

**Locks**

Cylinder Lock: B664P/764/864



No.	Description	Part No.
2	Strike with screws (2)	10-094
3	Dust box, metal with screws (3)	10-112
9	Deadbolt with screws (2)	12-631
14	Cylinder, B664P, 6-pin, conventional	22-642 ‡
	Cylinder, B764P, 6-pin, Primus	20-742 ‡
	Cylinder, B864P, 6-pin, Primus High Security	20-542 ‡
35	Screw, cylinder retainer	B520-298

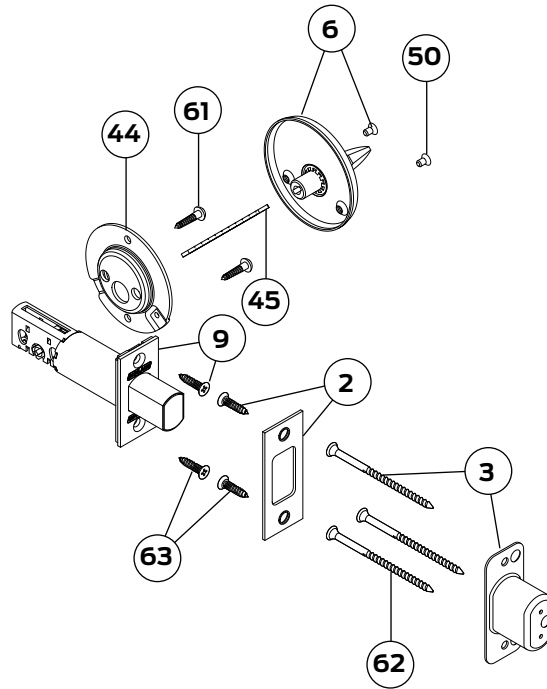
No.	Description	Part No.
51	Spin ring	B600-070
53	Housing, cylinder, inside	B600-090*
54	Faceplate, snap-on	B600-092
58	Anchor assembly with screws (2) and o-rings (2)	B610-035
60	Screw, 8 X 3/4" deadbolt and strike	C603-897
62	Screws, 3" metal dust box	R525-256

\* Not sellable.

‡ For additional cylinders, see page 28.

**Locks**

Door Bolt: B680



No.	Description	Part No.
2	Strike with screws (2)	10-094
3	Dust box, metal with screws (3)	10-112
6	Rose and turn with screws (2)	12-617
9	Deadbolt with screws (2)	12-631
44	Mounting plate, rose and turn	B600-018 †

No.	Description	Part No.
45	Tailpiece	B600-041
50	Screw, 6-32 X 1/4"	B600-066 †
61	Screw, mounting plate, wood	F506-359**
62	Screws, 3" metal dust box	R525-256
63	Screw, 8 X 3/4" deadbolt and strike	C603-897

\*\* Machine screws included in pack. See page 33.

† Also sold as screw pack B610-250. See page 35 for more information.

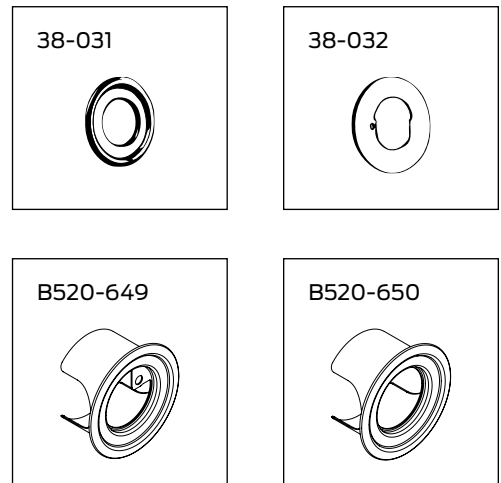
## Locks

# Options and Parts

- 24 Accessories, Adapters and Special Parts
- 26 Cylinders
- 30 Deadlatches, Deadbolts and Strikes
- 32 Screws and Screw Packs
- 36 Trim

## Accessories, Adapters and Special Parts

Accessories and Adapters		
Function	Part No.	Description
B250	38-016	Adapter ring kit for double cylinder locks used in 2 1/8" hole contains: (2) 38-031
B250	38-017	Adapter ring kit for single cylinder locks used in 2 1/8" hole contains: (1) 38-031 and (1) 38-032
B250	38-031	2 1/2" diameter adapter ring for 2 1/8" door prep, mounted under cylinder
B250	38-032	2 7/8" diameter adapter ring for 2 1/8" door prep, mounted under turn units/blank roses
B500	38-031	2 1/2" diameter adapter ring for 2 1/8" door prep, mounted under cylinder
B500	B520-649	Trim ring w/ shield for B560/B562
B500	B520-650	Trim ring w/ shield for IC functions
B500	A501-878	Faceplate adapter to adapt 1" faceplate to 1 1/8" door preparation



Special Parts			
Function	Part No.	Door Range	Description
B250	XQ07-351 xx	—	10-025 strike, lips through 6" (except 7/8", 11 3/16", 1 3/8" and 1 1/2") Specify (xx) lip length in part number.
	XQ03-493 xx	—	10-001 strike, lips over 2" through 6". Specify (xx) lip length in part number.
	Door Thickness + XB03-330	over 2 3/4" - 5 9/16"	B250PD for doors
	Door Thickness + XB03-427	over 2 3/4" - 5 9/16"	B252PD for doors
	XB09-062	—	B250PD less holdback function (substitutes B400 turn)
B660P, B663P	XB11-916	2"-4"	Screw and tailpiece conversion kit for B600/700/800-Series Locks to fit doors Extended Equally (EE), over 2 1/2" - 4" thick. Specify door thickness.
B662P	XB11-917	2"-3"	
B760P, B763P B860P, B863P	XB11-918	2"-4"	
B762P, B862P	XB11-919	2"-4"	
B660R, B660J, B660T, B663R, B663J, B663T, B760R, B763R	XB11-920	2"-4"	
B662R, B662J, B662T, B762R	XB11-921	2"-4"	
B660BD, B660GD, B660HD, B663BD, B663GD, B663HD	XB11-922	2"-4"	



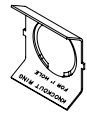
## Options and Parts

Antimicrobial Coating		
Function	Specify	Description
B500, B600/700/800	Finish as 626AM	Antimicrobial coating applied to inside thumbturn and rose, outside trim ring and cylinder faceplate

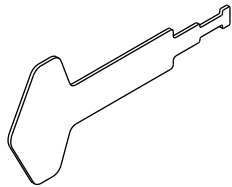
Occupancy Indicator Emergency Key			
Function	Part No.	Size	Description
B500	61-509	standard	Emergency release key for B571 occupancy indicator deadbolt. Includes one key, ring, and instruction tag
B500	61-510	large	

Metal Door Reinforcements			
Function	Part No.	Door Thickness	Description
B250, B500, B600/700/800	A501-565	1 3/8"	fits both 7/8" and 1" diameter housings (2) required per lock
B250, B500, B600/700/800	A501-566	1 3/4"	
B500, B600/700/800	37-016	—	Door frame strike reinforcer

A501-566



**61-510 Emergency Release Key**



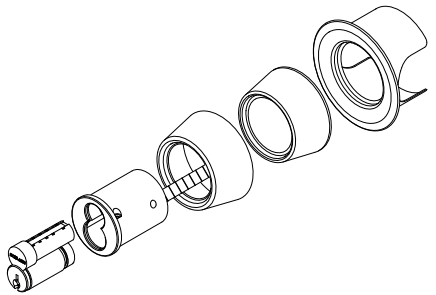
## Cylinders

<b>Tailpieces and Collars Application Chart</b>					
<b>Model/Function</b>	<b>Cylinder</b>	<b>Door Thickness</b>	<b>Tailpiece</b>	<b>Collar(s)</b>	
B250	5-Pin	1 5/16" – 1 5/8"	B202-558	7/16" + 1/8"	
		1 11/16" – 2 1/4"	B202-558	7/16"	
		over 2 1/4" – 2 9/16"	B202-558	1/8"	
	6-Pin	1 5/16" – 1 3/8"	B202-558	Two 1/8" & One 7/16"	
		1 7/16" – 1 15/16"	B202-558	7/16" + 1/8"	
		2" – 2 3/8"	B202-558	7/16"	
		over 2 3/8" – 2 9/16"	E205-204	7/16"	
		2 5/8" – 2 3/4"	B202-558	1/8"	
	IC	1 5/16" – 1 1/2"	B520-242	1" + 1/8"	
		over 1 1/2" – 2 1/8"	B520-242	1"	
		over 2 1/8" – 2 3/8"	B520-243		
		over 2 3/8" – 2 5/8"	B520-243	7/16" + 1/8"	
		over 2 5/8" – 3 1/8"	B520-242	7/16"	
	B252	5-Pin	1 5/16" – 1 3/8"	B202-370	7/16" + 1/8"
			1 1/2" – 1 5/8"	B202-269	
1 11/16" – 1 15/16"			B202-580	7/16"	
2" – 2 3/8"			B202-269		
2 7/16" – 2 11/16"			B202-453	1/8"	
2 3/4" – 2 7/8"			B202-269		
6-Pin		1 3/16" – 1 3/8"	B202-269	Two 1/8"	
		1 7/16" – 1 1/2"	B202-370	7/16" + 1/8"	
		1 9/16" – 1 15/16"	B202-369		
		2" – 2 3/16"	B202-370	7/16"	
		2 1/4" – 2 11/16"	B202-269		
		2 3/4" – 2 13/16"	B202-370	1/8"	
		2 7/8" – 3 1/8"	B202-369		
IC		1 5/16" – 1 5/8"	B520-237	1" + 1/8"	
		over 1 5/8" – 1 7/8"	B520-237	1"	
		over 1 7/8" – 2 1/8"	B520-236	1"	
		over 2 1/8" – 2 3/8"	B520-236	7/16" + 1/8"	
		over 2 5/8" – 3 1/8"	B520-236	7/16"	

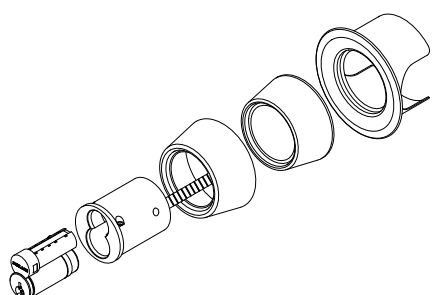
## Options and Parts

<b>B500-Series IC Parts</b>	
<b>Part No.</b>	<b>Description</b>
23-030	Cylinder, FSIC
23-032	Cylinder, FSIC, double cylinder
36-086	Ring, cylinder, FSIC and SFIC
80-037	Cylinder, SFIC
80-038	Cylinder, SFIC, double cylinder
B202-580	Driver bar, SFIC, double cylinder
B202-957	Driver bar, SFIC
B520-650	Adapter shield, FSIC and SFIC
B610-014	Snap on face plate, inside, SFIC
B610-028	Inside cylinder housing assembly, FSIC, double cylinder
B610-031	Snap on face plate, inside, FSIC
B610-203	Outside cylinder housing assembly, FSIC
B610-204	Outside cylinder housing assembly, SFIC
B610-205	Outside cylinder housing assembly, FSIC, double cylinder
B610-281	Inside cylinder housing assembly, SFIC, double cylinder
M204-152	Disposable construction cylinder

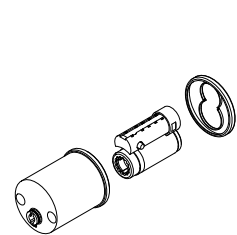
FSIC, Single Cylinder



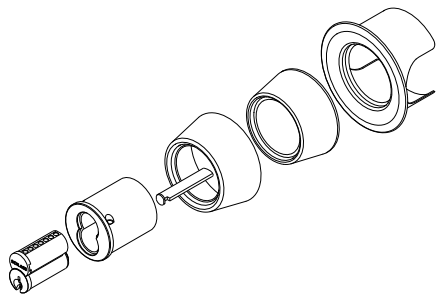
FSIC, Double Cylinder, Outside



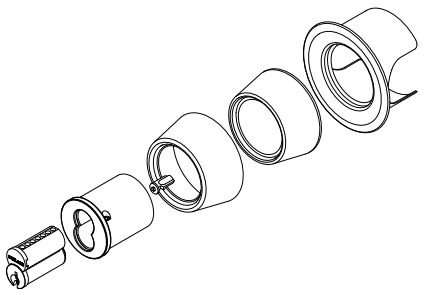
FSIC, Double Cylinder, Inside



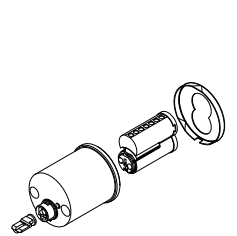
SFIC, Single Cylinder



SFIC, Double Cylinder, Outside



SFIC, Double Cylinder, Inside



## Options and Parts

<b>B600/700/800-Series Cylinder Reference Table</b>							
<b>Cylinder Mechanism</b>	<b>Function</b>	<b>Door Thickness</b>	<b>Cylinder Less Housing</b>	<b>Keyway Type</b>	<b>Plug</b>	<b>Shell</b>	<b>Tailpiece</b>
B600-Series Conventional	B660, B663	1 3/8" – 2 1/2"	22-644	Classic	33-167	A508-653	B610-084
				Everest & Everest 29	33-186		
	B661, B664	1 3/8" – 2"	22-642	Classic	33-167		B610-082
				Everest & Everest 29	33-186		
	B662	2" – 2 1/2"	22-643	Classic	33-167		B610-083
				Everest & Everest 29	33-186		
		1 3/8" – 2"	22-085	Classic	33-167		B610-085
				Everest & Everest 29	33-186		
2" – 2 1/2"	22-086	Classic	33-167	B610-086			
		Everest & Everest 29	33-186				
B700 -Series Primus	B760, B763	1 3/8" – 2 1/2"	20-744	Classic	33-136	A508-655	B610-084
				Everest & Everest 29	33-119		
	B761, B764	1 3/8" – 2"	20-742	Classic	33-136		B610-082
				Everest & Everest 29	33-119		
	B762	2" – 2 1/2"	20-743	Classic	33-136		B610-083
				Everest & Everest 29	33-119		
		1 3/8" – 2"	20-745	Classic	33-136		B610-085
				Everest & Everest 29	33-119		
2" – 2 1/2"	20-746	Classic	33-136	B610-086			
		Everest & Everest 29	33-119				
B700 -Series Primus-XP	B760-XP, B763-XP	1 3/8" – 2 1/2"	20-744-XP	Classic	33-136	A508-655	B610-084
				Everest & Everest 29	33-119		
	B761-XP, B764-XP	1 3/8" – 2"	20-742-XP	Classic	33-136		B610-082
				Everest & Everest 29	33-119		
	B762-XP	2" – 2 1/2"	20-743-XP	Classic	33-136		B610-083
				Everest & Everest 29	33-119		
		1 3/8" – 2"	20-745-XP	Classic	33-136		B610-085
				Everest & Everest 29	33-119		
2" – 2 1/2"	20-746-XP	Classic	33-136	B610-086			
		Everest & Everest 29	33-119				
B800-Series Primus UL437	B860, B863	1 3/8" – 2 1/2"	20-544	Classic	33-154	A508-655	B610-084
				Everest & Everest 29	33-221		
	B861, B864	1 3/8" – 2"	20-542	Classic	33-154		B610-082
				Everest & Everest 29	33-221		
	B862	2" – 2 1/2"	20-543	Classic	33-154		B610-083
				Everest & Everest 29	33-221		
		1 3/8" – 2"	20-545	Classic	33-154		B610-085
				Everest & Everest 29	33-221		
2" – 2 1/2"	20-546	Classic	33-154	B610-086			
		Everest & Everest 29	33-221				
B800-Series Primus-XP UL437	B860-XP, B863-XP	1 3/8" – 2 1/2"	20-544-XP	Classic	33-154	A508-655	B610-084
				Everest & Everest 29	33-221		
	B861-XP, B864-XP	1 3/8" – 2"	20-542-XP	Classic	33-154		B610-082
				Everest & Everest 29	33-221		
	B862-XP	2" – 2 1/2"	20-543-XP	Classic	33-154		B610-083
				Everest & Everest 29	33-221		
		1 3/8" – 2"	20-545-XP	Classic	33-154		B610-085
				Everest & Everest 29	33-221		
2" – 2 1/2"	20-546-XP	Classic	33-154	B610-086			
		Everest & Everest 29	33-221				

## Options and Parts

<b>Miscellaneous Parts, B600/700/800-Series</b>	
<b>Part No.</b>	<b>Description</b>
B520-298	Cylinder retaining screw
B600-070	7/8" Collar (trim ring for 1 5/8" – 2 1/2" door) (standard)
B600-089	1 1/8" Collar (trim ring for 1 3/8" – 1 5/8" door)
B600-090	Inside housing only (for B662, B762 & B862)
B600-092	Inside snap-on face plate
B610-024	Dummy cylinder faceplate and outside housing
B610-025	Housing, outside
B610-071	Washer
C603-098	Security disc (Order in multiples of 100)

<b>Tailpiece and Retainer Packs, B600/700/800-Series</b>	
<b>Part No.</b>	<b>Description</b>
B610-041	B680 (non-keyed)
B610-042	B661, B664 Classic Conventional Non Modular
B610-043	B661, B664 Classic Conventional thick door Non Modular
B610-044	B660, B663 Classic Conventional Non Modular
B610-045	B662 Classic Conventional Non Modular
B610-046	B662 Classic Conventional thick door Non Modular
B610-082	B661, B664 Classic Conventional Modular
B610-083	B661, B664 Classic Conventional thick door Modular
B610-084	B660, B663 Classic Conventional Modular
B610-085	B662 Classic Conventional Modular
B610-086	B662 Classic Conventional thick door Modular

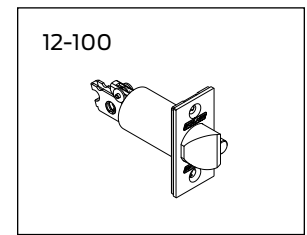
<b>B600/700-Series IC Housings Less Core</b>		
<b>Cyl. Type</b>	<b>Housing</b>	<b>Part No.</b>
FSIC	Outside B660, B661, B663	B610-203†
	Outside B662	B610-205†
	Inside	B610-028
SFIC	Outside	B610-204†
	Inside	B610-281

† For deadbolts purchased before 10/01/2012, also requires firecups B520-657.

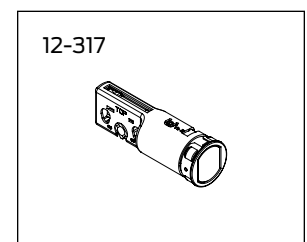
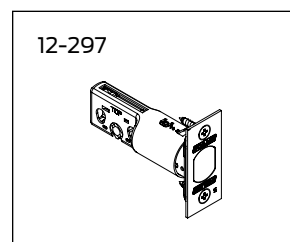
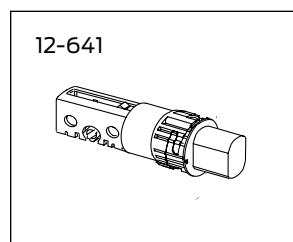
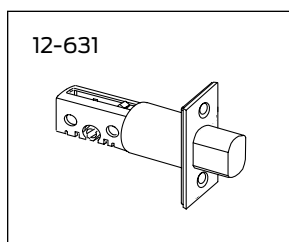
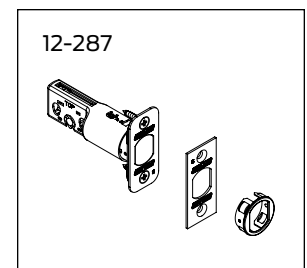
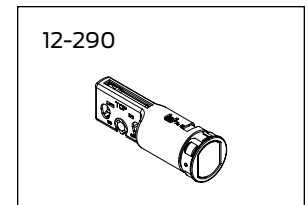
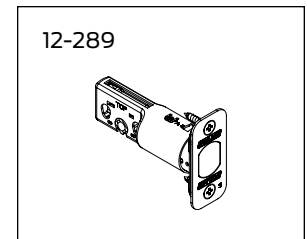
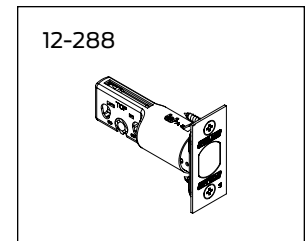
<b>Miscellaneous Parts for B600/700-Series IC Cylinders</b>	
<b>Part No.</b>	<b>Description</b>
B202-370	Tailpiece, B662BD
B202-453	Tailpiece, B662BD thick door
B202-557	Tailpiece, B660BD
B220-032	Tailpiece, B661BD
B600-089	1 1/8" Collar, B600 all IC models
B520-240	Waldes retaining ring B662J (order in multiples of 100)
B600-029	Driver, B660/662J/663J
B610-032	Cotter pin for tailpiece, B660/662J/663J (1) = pack of 50
B600-106	Driver, SFIC
B600-107	Throw member for SFIC models
B600-108	Waldes retaining ring B660/662BD (order in multiples of 100)
B610-014	Inside snap-on faceplate for SFIC double cylinder deadlocks
B610-031	Inside snap-on faceplate for full size IC double cylinder deadlocks
B610-040	Tailpiece and cotter pin, B662J
B610-041	Tailpiece and cotter pin, B660J, B661J, B663J

## Deadlatches, Deadbolts and Strikes

Deadlatches				
Function	Part No.	Backset	Hsg. Dia.	Description
B250	12-100	2 3/8"	1"	Square corner, 1 1/8" x 2 1/4", standard
	12-103	2 3/4"		Square corner, 1 1/8" x 2 1/4"
	39-030	Rabbeted latch and strike kit, 605 and 626 finish only (adapts square corner & 2 3/4" high square corner strikes to 1/2" rabbeted door and frame preps		



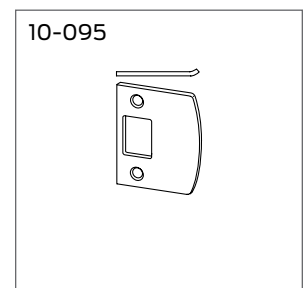
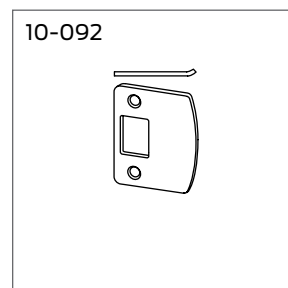
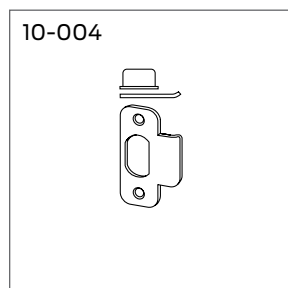
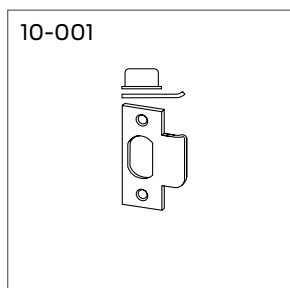
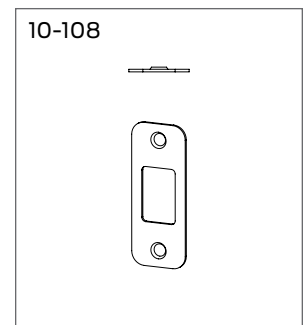
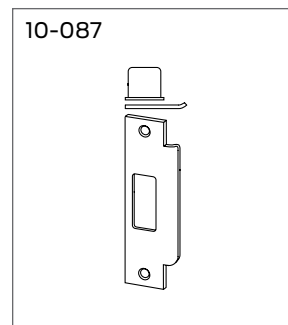
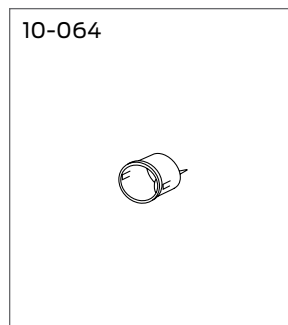
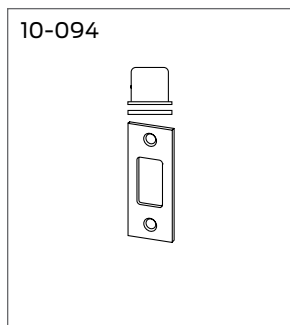
Deadbolts				
Function	Part No.	Backset	Hsg. Dia.	Description
<b>Non fire-rated locks</b>				
B500	12-288	adj. 2 3/8" or 2 3/4"	1"	Square corner, 1" x 2 1/4", standard
	12-289			Round corner (1)1/4" radius, 1" x 2 1/4"
	12-290			Circular drive in
	12-287			Triple Option - 1/4" radius round corner faceplate w/ 1" x 2 1/4" square corner and circular faceplates
	12-291			Square corner, 1 1/8" x 2 1/4"
B500, B600/700/800	39-030	Rabbeted deadbolt and strike kit, adapts square corner latches and 2 3/4" high square corner strikes to 1/2" rabbeted door and frame preparations		
B600/700/800	12-630	2 3/8"	1"	Square corner, 1 1/8" x 2 1/4"
	12-640		1 1/16"	Circular, drive-in
	12-631	2 3/4"	1"	Square corner, 1 1/8" x 2 1/4", standard
	12-641		1 1/16"	Circular, drive-in
	12-632	3 3/4"	1"	Square corner, 1 1/8" x 2 1/4"
	12-642		1 1/16"	3 3/4" backset, circular, drive-in
	12-633	5"		Square corner, 1 1/8" x 2 1/4"
	12-643		1 1/16"	Circular, drive-in
	12-297	adj. 2 3/8" or 2 3/4"		Square corner, 1 1/8" x 2 1/4"
12-317		1"	Circular, drive-in	
<b>Fire-rated (UL Listed) locks</b>				
B500	12-294	adj. 2 3/8" or 2 3/4"	1"	Square corner, 1" x 2 1/4", standard fire-rated (UL Listed)
	12-633	5"		Square corner, 1" x 2 1/4"
<b>Deadbolts Less Faceplates</b>				
B600/700/800	12-650	2 3/8"	1"	deadbolt unit less faceplate
	12-651	2 3/4"		
	12-652	3 3/4"		
	12-653	5"		



## Options and Parts

Faceplate kits		
Function	Part No.	Description
B600/700/800	12-627	Square corner faceplate, 1 1/8" x 2 1/4", includes backplate and screws
	12-628	Circular drive-in faceplate and collar

Strikes		
Function	Part No.	Description
B250	10-001	Square corner, T-strike, box, 1 1/8" x 2 3/4", 1 1/8" lip length (standard strike)
	10-001 xx	Square corner, T-strike, box, 1 1/8" x 2 3/4", specify lip length (xx) as 1", 1 1/4", 1 1/2", 1 3/4", 2"
	10-004	Round corner (1/4" radius), T-strike, box, 1 1/8" x 2 3/4", 1 1/8" lip length
	10-025 1316	ANSI, no box, 1 1/4" x 4 7/8", 1 3/16" lip length
	10-025 xx	ANSI, no box, 1 1/4" x 4 7/8", specify lip length as 1 3/8" or 1 1/2"
	C603-623	Box for T-strike
B500	10-108	Round corner, 1 1/8" x 2 3/4", no box
	10-112	Metal dust box and 3 screws, use with 10-094 and 10-108. Finish not applicable
B500, B600/700/800	10-064	Circular drive-in, thimble strike, 1 3/16" dia., 626 finish only.
	10-087	ANSI, box, 1 1/4" x 4 7/8", 1 3/16" lip
	10-092	Round corner (1/4" radius), 1 1/8" full lip, no box, 1 5/8" x 2 1/4"
	10-094	Square corner, no box, 1 1/8" x 2 3/4", standard
	10-095	Square corner, full 1 1/8" lip, no box, 1 5/8" x 2 1/4"
	10-103	Round corner (1/4" radius), 1" x 2 1/4", no reinforcement strike provided
	10-104	Round corner (1/4" radius), 1 1/4" x 3 5/8", 4 hole, no reinforcement strike provided)
	37-016	Strike reinforcer, use with 10-094 or 10-108
	J250-028	2" strike reinforcement screws.
	K510-066	Plastic dust box for ANSI strike



## Screws and Screw Packs

Tamper Resistant and Torx® Screws		
Function	Specify	Description
B250	X suffix	Cross recessed mounting screws and drive pins for B250PD
	Torx Screws	Latch and strike screws
B600/700/800	X suffix	Torx latch, strike, and mounting screws. Not available SFIC locks.

Torx Screw Packs				
Series	Function	Part No.	Door Thickness	Contents
B600/700/800	Keyless	B610-066	Rose trim, B680	(2) Mounting screws (T-20)
	Keyed, Single Cylinder	B610-059	1 3/8" – 2 1/2", B664	(2) Mounting screws (T-30)
		B610-065	Rose trim, B660, 661, 663	(2) Mounting screws (T-10)
	Keyed, Double Cylinder (except Interchangeable Core)	B610-061	1 3/8" – 2", B662P	(2) Mounting screws (T-30)
		B610-063	over 2" – 2 1/2", B662P	(2) Ball bearings
	Keyed, Double Cylinder, Interchangeable Core	B610-062	1 5/8" – 2", B662R	(2) Mounting screws (T-30)
B610-064		over 2" – 2 1/2", B662R	(2) Ball bearings	
B250, B600/700/800	All Functions	C203-311	Deadbolt and strike	(4) C503-766, (1) T-15 size Torx Bit, 8-32 x 1/2"
		C203-312	Deadbolt and ANSI strike	(2) C503-766, (1) T-15 size Torx Bit, 8-32 x 1/2" (2) L583-371, (1) T-20 size Torx Bit, 12-24 x 1/2"

Screws								
Part No.	Function	Description		Application				
		Size	Type	Use with:	Door Thickness			
B520-086	Single Cylinder, B250PD	10-32 x 2 1/4"	POH machine	7/16" & 1/8" trim rings	5-Pin	1 5/16" – under 1 11/16"		
				7/16" trim ring		1 11/16" – 1 15/16"		
				(2) 1/8" trim rings	6-Pin	1 5/16" – under 1 7/16"		
				7/16" & 1/8" trim rings		1 7/16" – 1 13/16"		
B520-087		10-32 x 2 5/8"				7/16" trim ring	5-Pin	over 1 15/16" – 2 1/4"
						1/8" trim ring		over 2 1/4" – 2 9/16"
						7/16" & 1/8" trim rings	6-Pin	over 1 13/16" – 1 15/16"
						7/16" trim ring		over 1 15/16" – 2 9/16"
				1/8" trim ring			over 2 9/16" – 2 3/4"	



## Options and Parts

Screws (continued)							
Part No.	Function	Description		Application			
		Size	Type	Use with:	Door Thickness		
B520-267	Double Cylinder, B252PD	10-32 x 2 1/2"	Cross recess	7/16" & 1/8" trim rings	5-Pin	1 5/16" – under 1 11/16"	
				7/16" trim ring		1 11/16" – 1 15/16"	
				1/8" trim ring		2 7/16" – 2 11/16"	
B520-268		10-32 x 2 3/4"		7/16" & 1/8" trim rings	5-Pin	7/16" & 1/8" trim rings	over 1 7/16" – under 1 11/16"
						7/16" trim ring	over 1 15/16" – under 2 7/16"
						1/8" trim ring	over 2 11/16" – 2 7/8"
				7/16" & 1/8" trim rings	6-Pin	7/16" & 1/8" trim rings	1 7/16" – under 1 9/16"
						7/16" trim ring	over 1 11/16" – 2 3/16"
						1/8" trim ring	over 2 11/16" – 2 13/16"
B520-269		10-32 x 3"		(4 1/8" trim rings	6-Pin	7/16" & 1/8" trim rings	1 3/16" – under 1 7/16"
	7/16" trim ring		1 9/16" – 1 15/16"				
	1/8" trim ring		over 2 13/16" – 2 11/16"				
	1/8" trim ring		over 2 13/16" – 3 1/8"				
B520-271		Drive pin	—		—		
B520-086	Interchangeable Core, Single Cylinder, B250RD	10-32 x 2 1/4"	POH machine	1" & 1/8" trim rings	1 5/16" – 1 1/2"		
				1" trim ring	over 1 1/2" – 2 1/8"		
B520-087		10-32 x 2 5/8"		1" trim ring	over 2 1/8" – 2 3/8"		
				7/16" & 1/8" trim rings	over 2 3/8" – 2 5/8"		
		7/16" trim ring	over 2 5/8" – 3 1/8"				
B520-269	Interchangeable Core, Double Cylinder, B252RD	10-32 x 3"	Cross recess	1" & 1/8" trim rings	1 5/16" – 1 5/8"		
				1" trim ring	over 1 5/8" – 2 1/8"		
				7/16" & 1/8" trim rings	over 2 1/8" – 2 3/8"		
				1" trim ring	over 2 3/8" – 2 5/8"		
B520-271		Drive pin	—		—		
C603-256	All Functions	12-24 x 1"	PFH combo	ANSI strike	—		
C603-897		8 x 3/4"		Latch and strike	—		
B600-066	Keyless, B580	6-32 x 1/4"	PH mach.	Turn	—		
B600-048		8-32 x 1/2"	PH mach.	Mounting plate	—		
F506-359		8 x 3/4"	RH wood	Mounting plate	—		
B600-100	Keyed, Single Cylinder, B560P, B563P	1/4"-28 x 1 15/16"	POH mach.	Mounting	1 3/8" - 1 3/4"		
B600-101		1/4"-28 x 2 1/2"	POH mach.	Mounting	over 1 3/4" - 2 1/4"		
B600-066		6-32 x 1/4"	PH mach.	Turn	—		
B520-298		10-32 x 3/8"	PH mach.	Anti-pry shield	—		
B600-100	Keyed, Single Cylinder, B560GD, B563GD, B560R, B563R	1/4"-28 x 1 15/16"	POH mach.	Mounting	1 3/8" - 2 1/4"		
B600-066		6-32 x 1/4"	PH mach.	Turn	—		
B600-047	Keyed, Double Cylinder, B562P	1/4"-28 x 3 13/64"	PH mach.	Mounting	1 3/8" - 1 3/4"		
B600-078		1/4"-28 x 3 29/64"	PH mach.	Mounting	over 1 3/4" - 2 1/4"		
B520-298		10-32 x 3/8"	PH mach.	Anti-pry shield	—		
B600-053	Keyed, Double Cylinder, B562GD, B562R	1/4"-28 x 2 61/64"	PH mach.	Mounting	1 3/8" - 2 1/4"		
B520-298		10-32 x 3/8"	PH mach.	Anti-pry shield	—		

## Options and Parts

Screws (continued)					
Part No.	Function	Description		Application	
		Size	Type	Use with:	Door Thickness
B520-662	Keyless, B571, B581	10-32 x 1 1/8"	POH mach.	Mounting	1 3/8" - 1 3/4"
B520-663		10-32 x 1 3/4"	POH mach.	Mounting	over 1 3/4" - 2 1/4"
B600-066		6-32 x 1/4"	PH mach.	Turn	—
C603-897	All Functions	8 x 3/4"	PFH combo	Deadbolt and strike screw	—
J250-028		8 x 2"	PFH wood	2" strike screw	—
R525-256		12 x 3"	PFH wood	3" Metal dust box screw	—

Tailpiece and Screw Packs						
Part No.	Function	Cylinder Type	Door Thickness	Contents		
				Qty.	Part No.	Description
B202-509	Single Cylinder, B250PD	all	1 3/8" - 1 3/4"	1	B202-558	tailpiece
				2	B520-086	screws
B202-560	Double Cylinder, B252PD	5 pin	1 1/2" - 1 3/4", 2 1/2"	2	B202-370	tailpiece
				2	B202-580	tailpieces
				2	B520-267	screws
				2	B520-271	screws
B220-043		6 pin	1 3/4"	2	B202-369	tailpieces
				2	B520-269	screws
<b>Latch &amp; Strike Screws, All functions, Standard T Strike</b>						
B202-517	—	—	—	4	C603-897	Screw, 8 X 3/4" deadbolt and strike

Individual Screw Packs					
Function	Part No.	Door Thickness	Contents		
			Qty.	Part No.	Description
Keyless, B580	61-506	1 3/8" - 2 1/4"	2	B600-048	Screw, Machine
			2	F605-359	Thumbturn
			4	C603-897	Screw, 8 X 3/4" deadbolt and strike
			1	B600-018	Mounting plate, rose and turn
			2	B600-066	Screw, 6-32 X 1/4"
Keyed, Single Cylinder, B560P, B563P	61-500	1 3/8" - 1 3/4"	1	B600-018	Mounting plate, rose and turn
			2	B600-100	Screw, 1/4"-28 X 1-15/16"
			2	B600-066	Screw, 6-32 X 1/4"
			4	C603-897	Screw, 8 X 3/4" deadbolt and strike
	61-501	over 1 3/4" - 2 1/4"	1	B600-018	Mounting plate, rose and turn
			2	B600-101	Screw, 1/4"-28 x 1 15/16"
			2	B600-066	Screw, 6-32 X 1/4"
Keyed, Single Cylinder, B560GD, B563GD, B560R, B563R	61-500	1 3/8" - 2"	1	B600-018	Mounting plate, rose and turn
			2	B600-100	Screw, 1/4"-28 X 1-15/16"
			2	B600-066	Screw, 6-32 X 1/4"
			4	C603-897	Screw, 8 X 3/4" deadbolt and strike

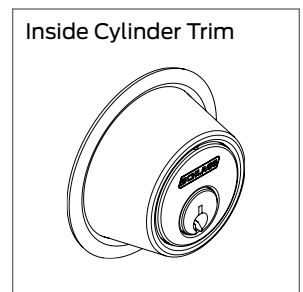
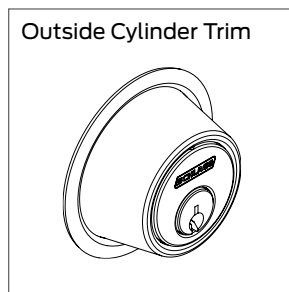
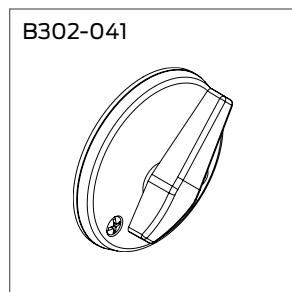
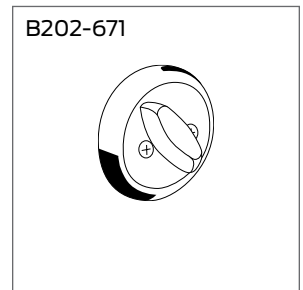
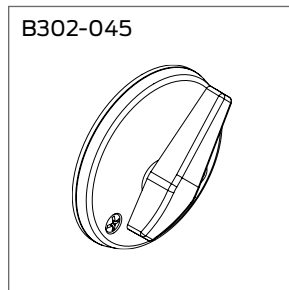
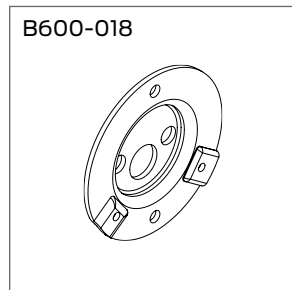
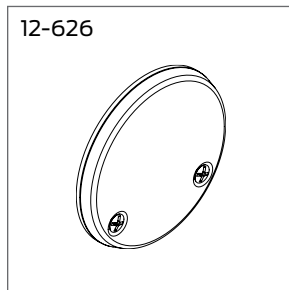
## Options and Parts

Individual Screw Packs (continued)					
Function	Part No.	Door Thickness	Contents		
			Qty.	Part No.	Description
Keyed, Double Cylinder, B562P	61-502	1 3/8" – 1 3/4"	2	B600-047	Screws, 1/4" -28 X 3- 13/64
			4	C603-897	Screw, 8 X 3/4" deadbolt and strike
	61-503	over 1 3/4" – 2 1/4"	2	B600-078	Screw, 1/4"-28 x 3 29/64"
			4	C603-897	Screw, 8 X 3/4" deadbolt and strike
Keyed, Double Cylinder, B562GD, B562R	61-507	1 3/8" – 2"	2	B600-053	Screw, 1/4"-28 x 2 61/64"
			4	C603-897	Screw, 8 X 3/4" deadbolt and strike
Keyless, B581, B571	61-504	1 3/8" – 1 3/4"	2	B520-662	Screw, 10-32 x 1 1/8"
			4	C603-897	Screw, 8 X 3/4" deadbolt and strike
			2	B600-066	Screw, 6-32 X 1/4"
			1	B600-018	Mounting plate, rose and turn
	61-505	over 1 3/4" – 2 1/4"	2	B520-663	Screw, 10-32 x 1 3/4"
			4	C603-897	Screw, 8 X 3/4" deadbolt and strike
			2	B600-066	Screw, 6-32 X 1/4"
			1	B600-018	Mounting plate, rose and turn

B600/700/800 Screw and Ball Bearing Packs					
Function	Part No.	Door Thickness	Contents		
			Qty.	Part No.	Description
B680	B610-066	(surface mount)	2	B600-066	Screw, 6-32 X 1/4"
B660/760/860 B661/761/861 B663B763/B863	B610-250	1 3/8" – 2"	2	B600-075	Ball bearing
			1	B202-517	Screw, Mounting, Deadbolt Strike
			1	B502-872	Strike, Reinforcement
			2	B600-066	Screw, 6-32 X 1/4"
			2	B502-873	Screw, Reinforcement Strike
B664	B610-049	1 3/8" – 2 1/2"	2	B600-049	Screw, Mounting
B660, 661, 663	B610-050	1 3/8" – 2"	2	B600-100	Screw, 1/4"-28 X 1-15/16"
			2	B600-075	Ball bearing
B660, 661, 663	B610-051	over 2" – 2 1/2"	2	B600-101	Screw, 1/4"-28 x 1 15/16"
			2	B600-075	Ball bearing
B660, 661, 663	B610-066	1 3/8" – 2"	2	B600-066	Screw, 6-32 X 1/4"
B662P	B610-053	1 3/8" – 2"	2	B600-076	Screw, Mounting
B662P	B610-055	over 2" – 2 1/2"	2	B600-075	Ball bearing
B662R	B610-054	1 5/8" – 2"	2	B600-054	Screw, Mounting
B662R	B610-056	over 2" – 2 1/2"	2	B600-075	Ball bearing

# Trim

Trim		
Function	Part No.	Description
B250	B202-671	Rose and turn without holdback
	B202-672	Rose and turn with holdback
	B502-711	Support (anchor for B270 turn mounting screws)
	B502-815	Blank inside rose with exposed screws for B251.
B500	B302-041	Rose and turn
	B600-018	Mounting plate, rose and turn
	12-626	Blank rose, exposed screws
	38-034	Blank mounting plate kit for use on one side of B580
	B302-045	Classroom rose and turn
B600/700/800	12-617	Rose and turn
	12-618	Rose and turn, classroom function
	12-625	Classroom driver kit. Finish not applicable
	12-626	Blank inside rose, exposed screws, B661
	38-034	Blank mounting plate kit for use on one side of B664 or B680
	B600-017	Security shield, 2 1/8" door preparation.
	B600-018	Mounting plate, rose and turn
	B610-035	Support (anchor and mounting screws, B664)



**Options and Parts**

Notes

## Notes



## About Allegion

Allegion (NYSE: ALLE) creates peace of mind by pioneering safety and security. As a \$2 billion provider of security solutions for homes and businesses, Allegion employs more than 7,800 people and sells products in more than 120 countries across the world. Allegion comprises 23 global brands, including strategic brands CISA®, Interflex®, LCN®, Schlage® and Von Duprin®.

For more, visit [www.allegion.com](http://www.allegion.com).

*aptiQ* ■ LCN ■ **SCHLAGE** ■ STEELCRAFT ■ VON DUPRIN