



24743411

# 230L/L-BE

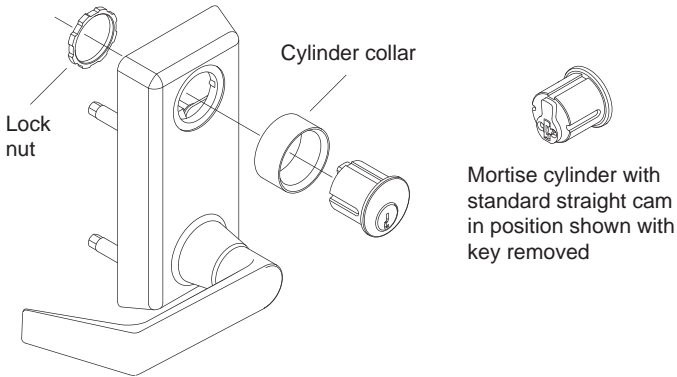
# VON DUPRIN®

Lever Control

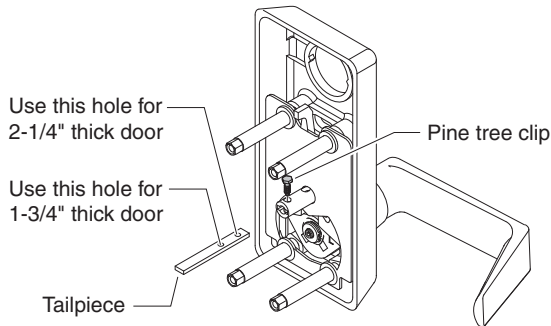
Installation Instructions

**1** Change handing if required (see instructions on next page).

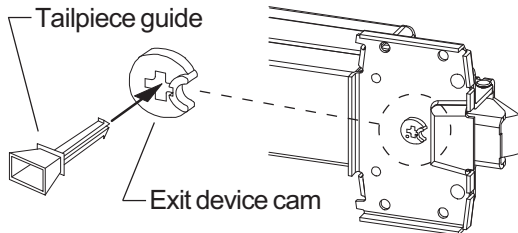
**2** Install cylinder (L lever control only).



**3** Install tailpiece. Consult factory for doors other than 1-3/4" or 2-1/4" thick.



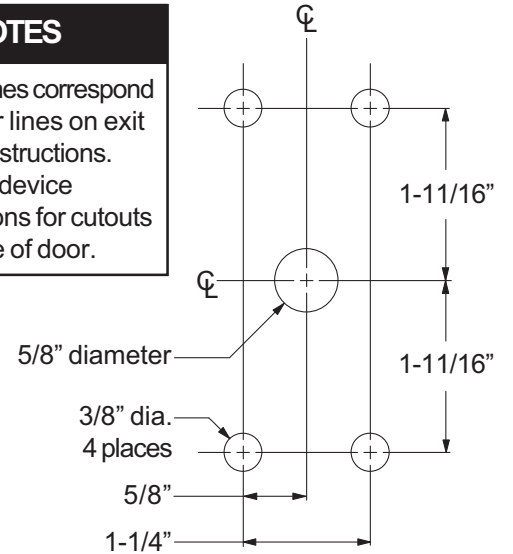
**4** Install tailpiece guide in exit device cam.



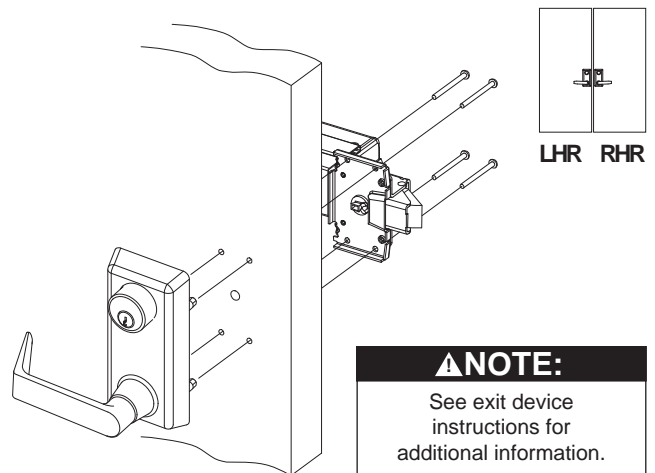
**5** Prepare door for lever control installation.

### NOTES

- Center lines correspond to center lines on exit device instructions.
- See exit device instructions for cutouts on inside of door.



**6** Install lever control.



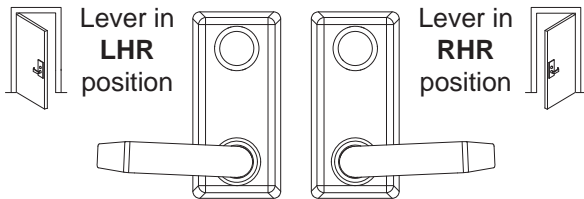
## To Change Handing or Replace Broken Shear Pin

### 1 Check lever position (Figure 1).

1a To change handing or replace broken shear pin, complete Steps 2 through 7.

#### NOTE:

The replaceable shear pin breaks to protect the assembly from damage when excessive torque is applied.



**Figure 1**

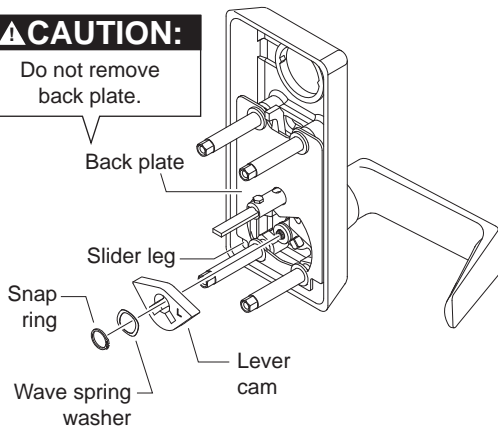
### 2 Remove lever cam.

2a Remove snap ring and wave spring washer.

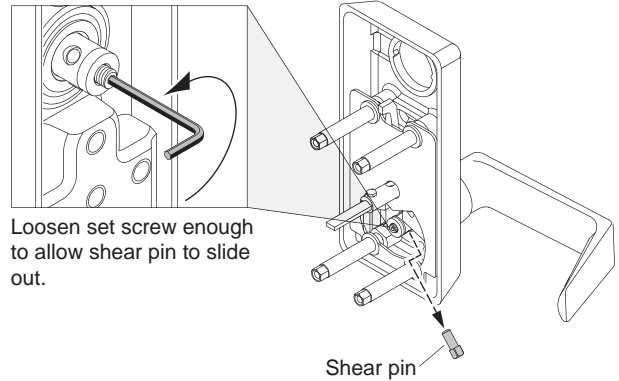
2b Use screwdriver to push up on slider leg to remove preload from lever cam and remove lever cam.

#### CAUTION:

Do not remove back plate.



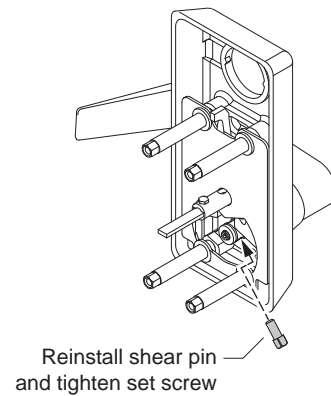
3 Remove shear pin. If shear pin is broken, make sure to remove all pieces of broken shear pin.



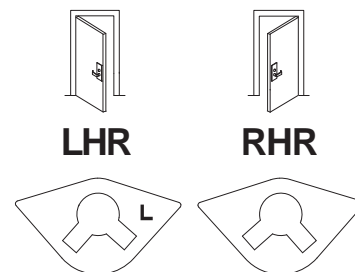
Loosen set screw enough to allow shear pin to slide out.

4 Rotate lever to LHR or RHR position (Figure 1).

5 Install shear pin.



6 Install lever cam with correct handing.



"L" is visible for LHR

7 Reinstall wave spring washer and snap ring.

**Customer Service**

1-877-671-7011 [www.allegion.com/us](http://www.allegion.com/us)



© Allegion 2014  
Printed in U.S.A.  
24743411 Rev.02/14-a