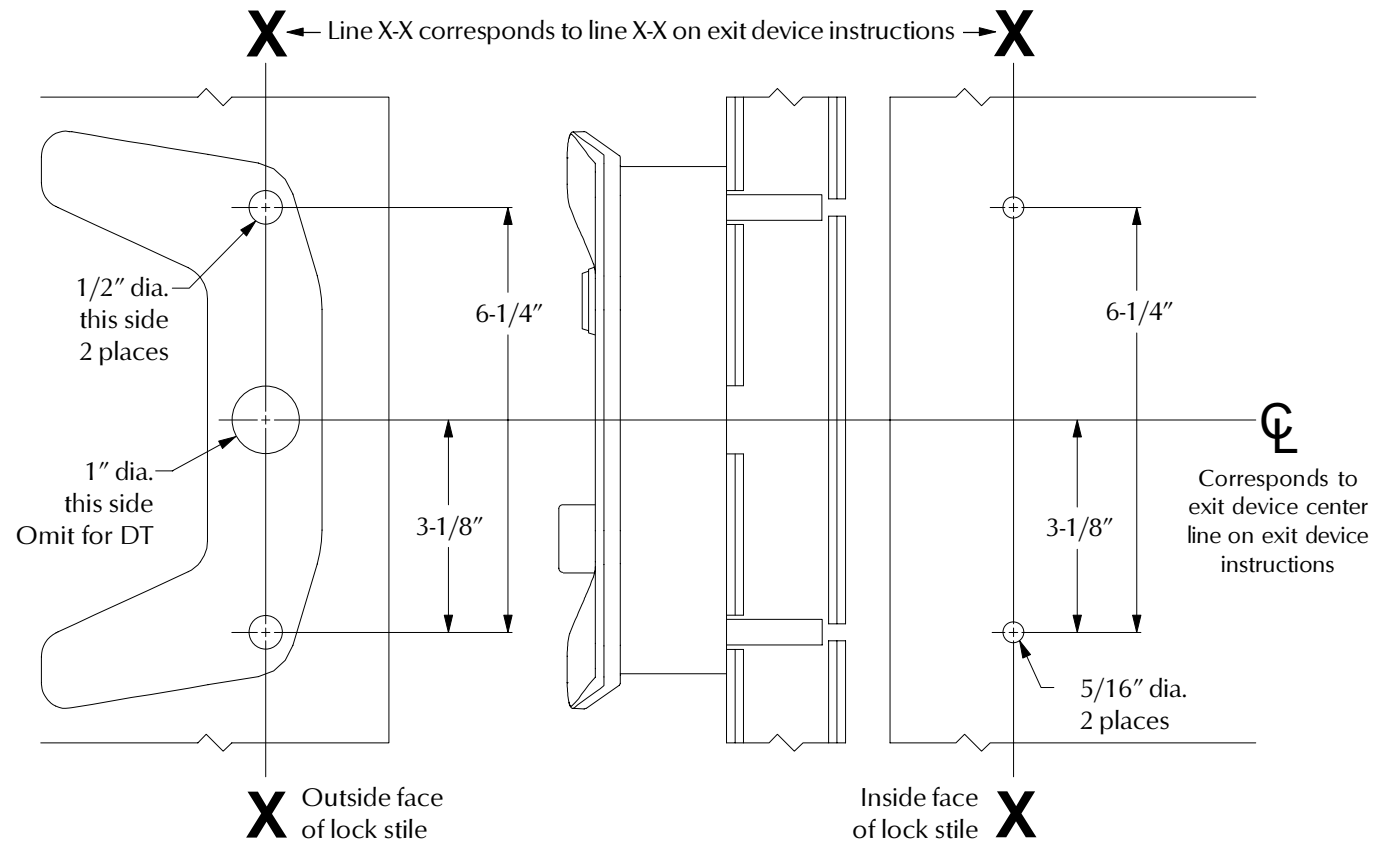
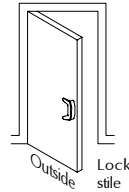


# VON DUPRIN®

## INSTALLATION INSTRUCTIONS

1. Prepare door for exit device. See exit device instructions for holes, line X-X, and center lines.
2. Prepare door for trim:
  - A. Transfer line X-X from inside (exit device side) of door to outside (trim side) of door. Use extra care if edge of door is beveled. Be sure center line X-X is parallel to edge of door.
  - B. Locate and prepare holes as shown.
3. Prepare trim:
  - A. For NL function, remove TP adapter cam and install NL adapter cam (see other side).
  - B. For NL or TP functions, change handing if necessary (see other side).
  - C. For NL or TP function, install cylinder (see other side).
4. Apply trim.
5. Apply exit device.

LHR shown  
RHR opposite



For cutouts on inside face of door, see exit device instructions



**337DT/NL/TP TRIM**  
FOR 33/3547/47-F CONCEALED VERTICAL ROD DEVICE

Copyright © 2004 Ingersoll-Rand.  
All rights reserved.

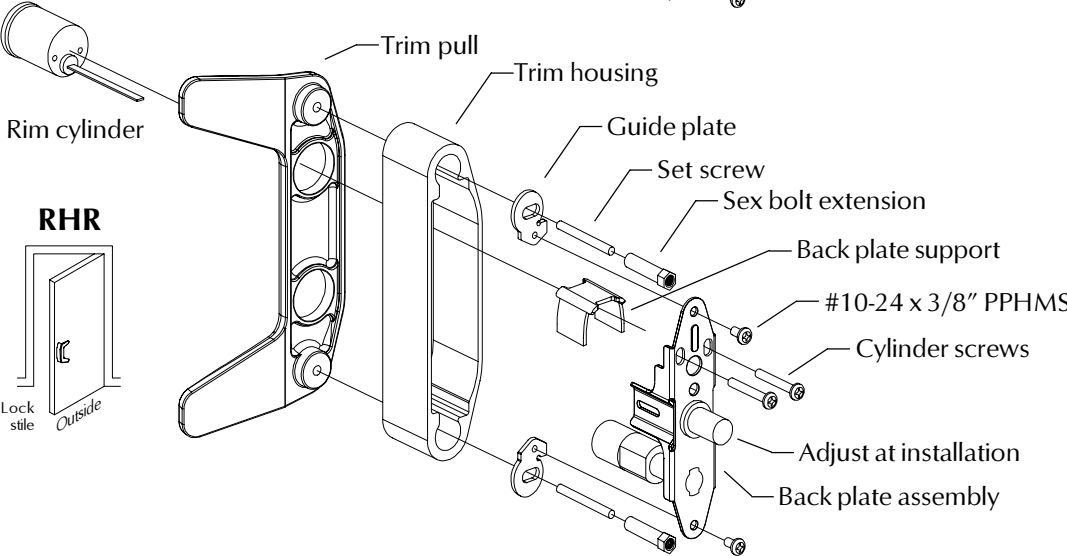
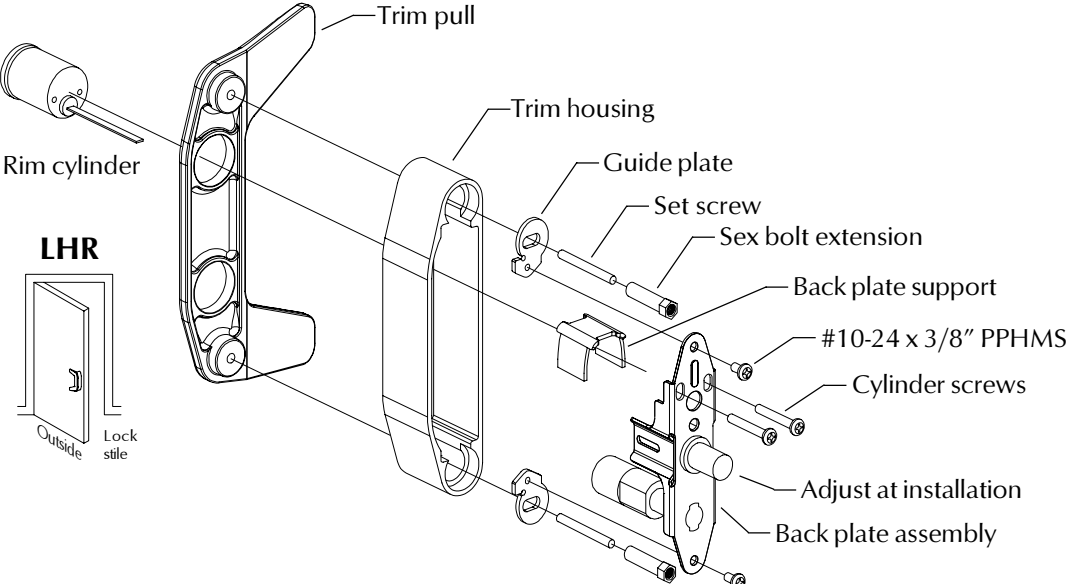
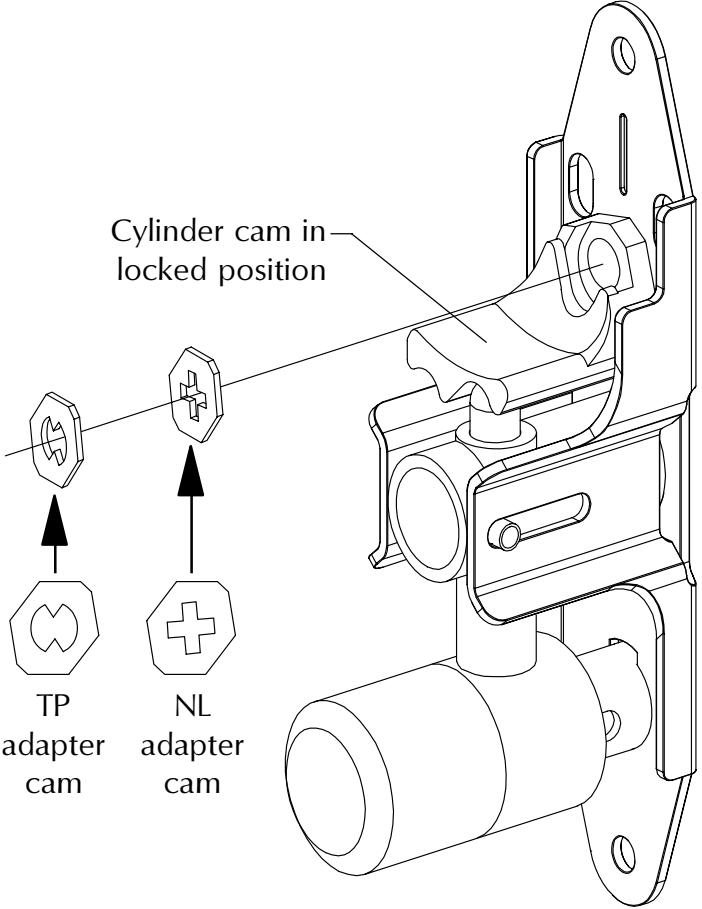
PAGE NO.  
**1 of 2**

REVISION  
**12**



**921021-00**

# VON DUPRIN®



**IR Security & Safety**  
Proven Source. Proven Solutions.™

**337DT/NL/TP TRIM**  
FOR 33/3547/47F CONCEALED VERTICAL ROD DEVICE

921021-00

Copyright © 2004 Ingersoll-Rand.  
All rights reserved.

PAGE NO.  
**2 of 2**

REVISION  
**12**