



921447-00

For NL, TL, or DT Applications

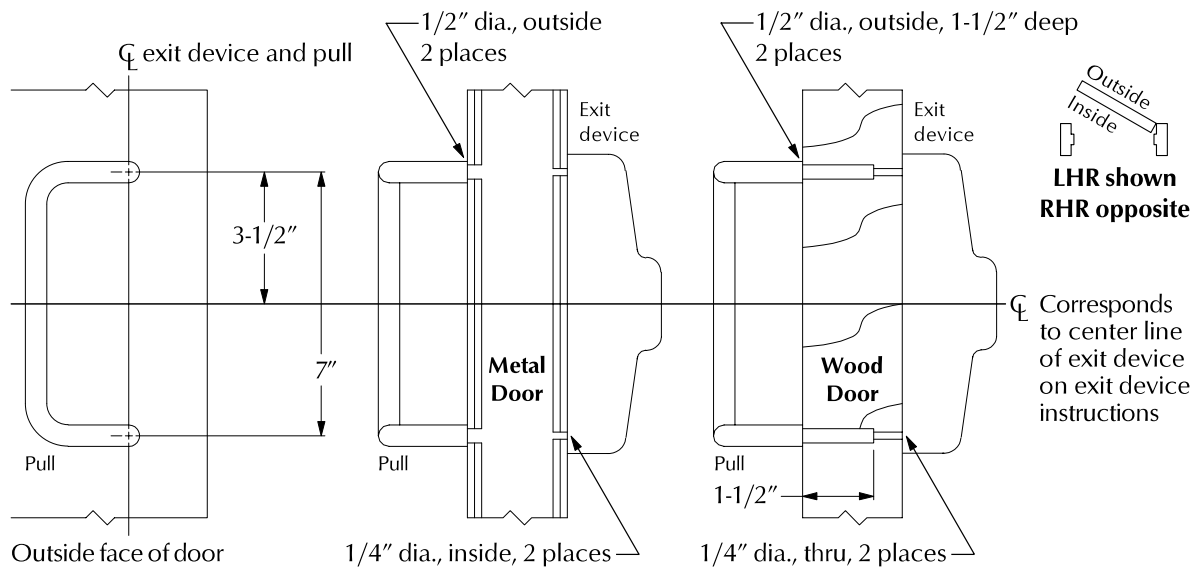
392-7 Pull

VON DUPRIN®

Installation Instructions

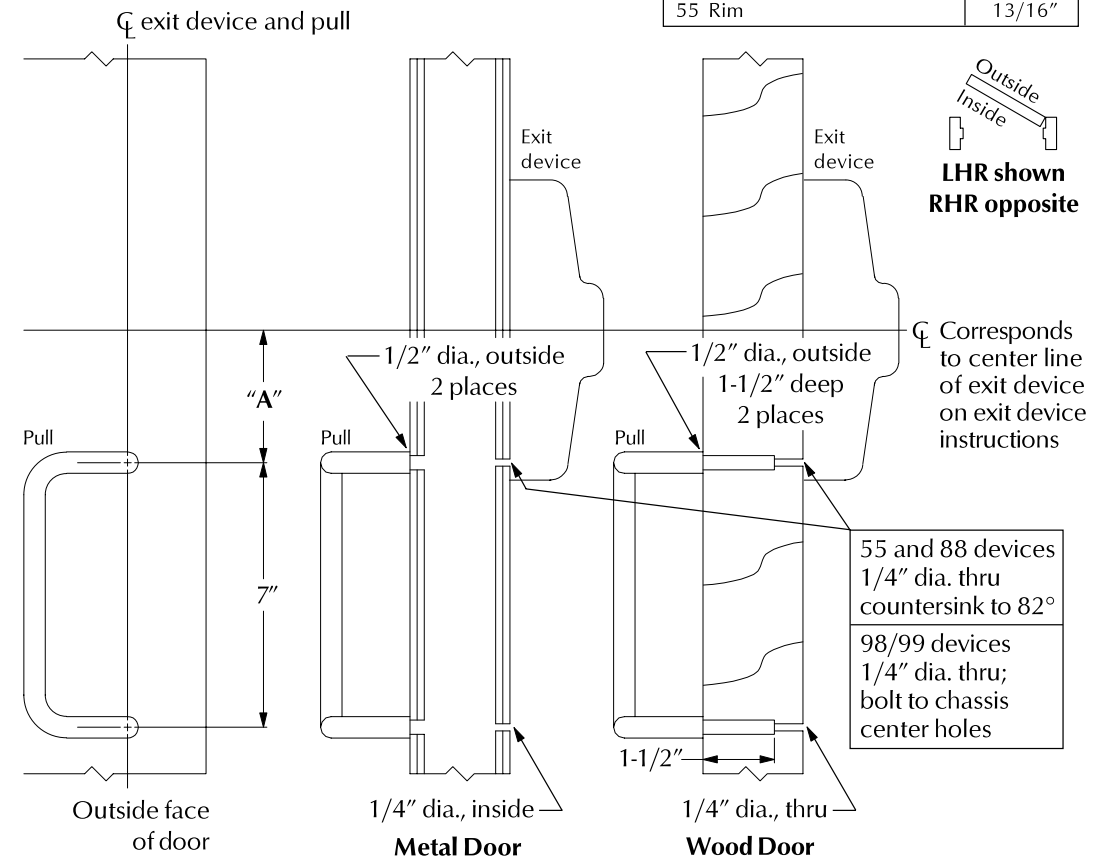
1. Prepare door for exit device. See exit device instructions for locations of holes, backset, and center lines.
2. Prepare door for pull:
 - A. Transfer center line from inside (exit device side) of door to outside (pull side) of door. Use extra care if edge of door is beveled. Be sure center line is parallel to edge of door.
 - B. Locate and prepare holes for pull.
3. Apply exit device and pull.

PULL ON CENTER (NL, TL, or DT Applications)



Device Application Schedule	
98/99 Series Rim	
98/9927 Series Surface Vertical	
98/9947 Series Concealed Vertical	
98/9975 Series Mortise	

PULL BELOW CENTER (NL, TL, or DT Applications)



Device Application Schedule	
Exit Device	Dim. "A"
98/99 Rim	3-1/2"
98/9927 Surface Vertical Rod	3-1/2"
98/9975 Mortise	3-1/2"
88 Rim	3-11/16"
8827 Surface Vertical Rod	3-11/16"
8875 Mortise	3-11/16"
55 Rim	13/16"

For cutouts on inside face of door, see exit device instructions

Customer Service

1-877-671-7011

www.allegion.com/us



© Allegion 2014
Printed in U.S.A.
921447-00 Rev. 01/14-b