



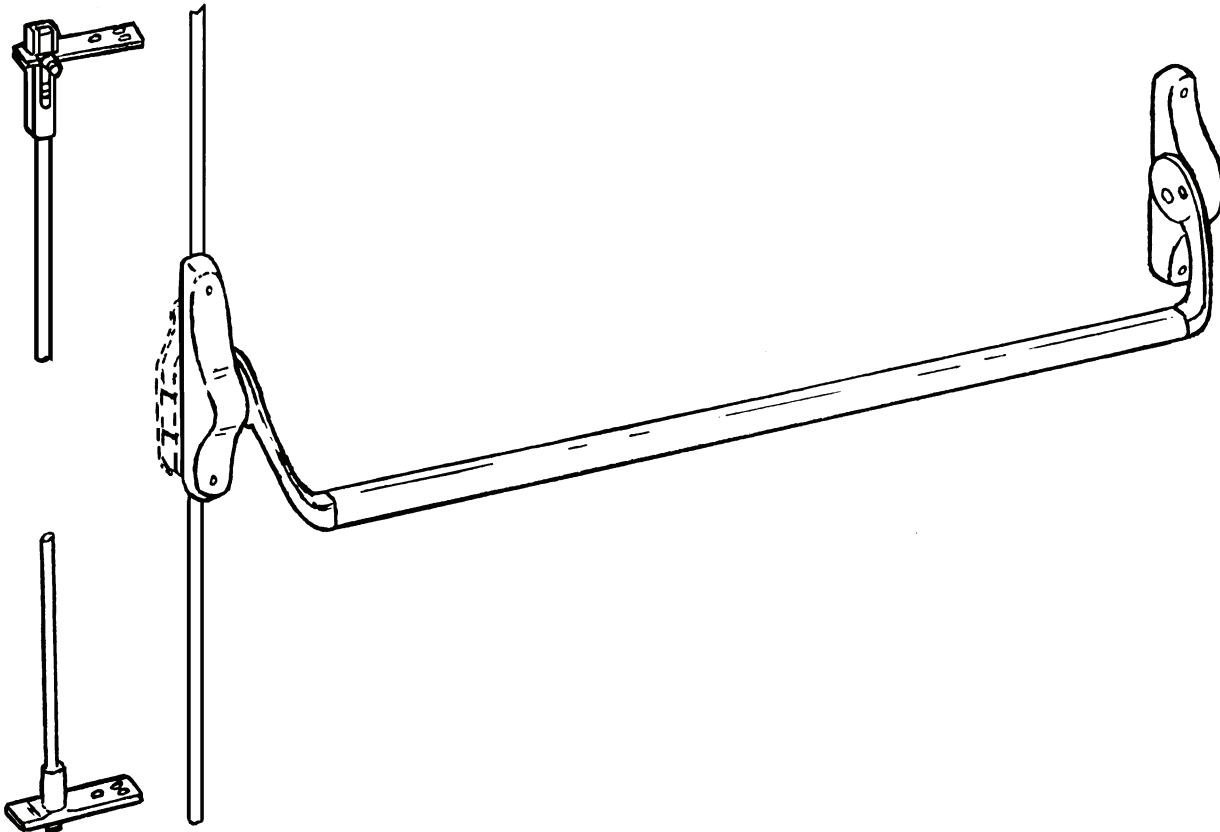
911355-00

Concealed Vertical Rod Devices

5547 WDC & WDC-F

VON DUPRIN®

Installation Instructions



Special Tools Required:

- 1/2" (12 mm) Diameter Drill Bit
- 1 3/32" (10 mm) Diameter Drill Bit (for Sex Bolt prep.)
- #25 (4 mm) Drill Bit
- #10-24 (M5) Tap
- Hack Saw
- Sabre Saw

These instructions are presented in step-by-step sequence and include templates in the back to tape to your door and frame as an aid to preparing for device mounting.

Please review the first two pages carefully which will help identify the hardware you have and define the terminology used throughout.

Note: Dimensions are in inches. See page 3 for the Metric Conversion Table.

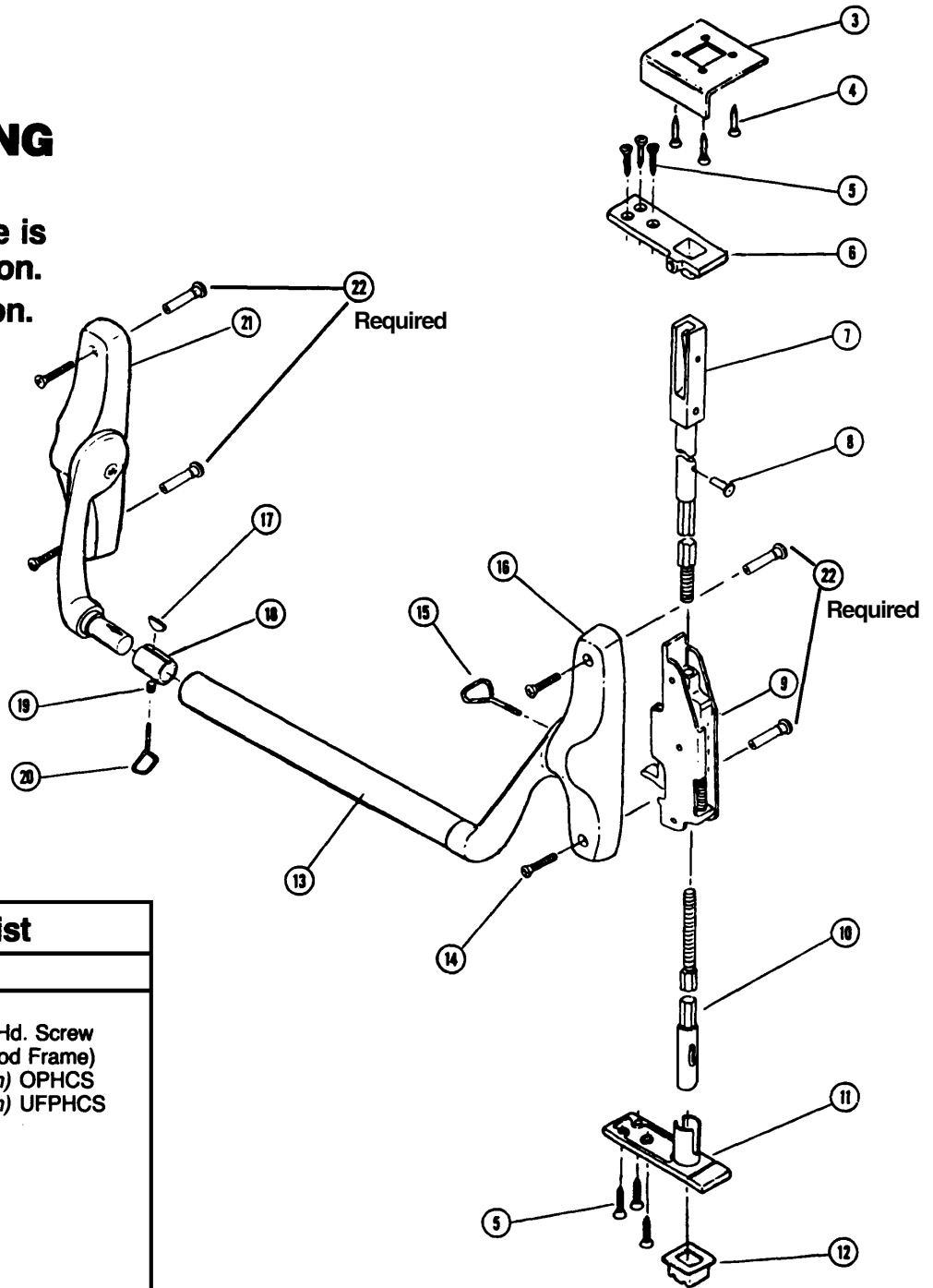


Customer Service

1-877-671-7011 www.allegion.com/us

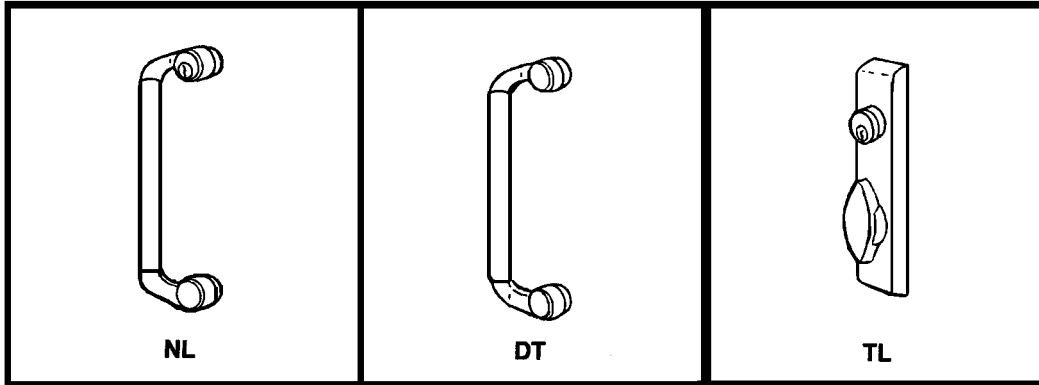
BEFORE INSTALLING THIS DEVICE:

- A. Check to be sure device is correct for the application.
- B. Check contents of carton.

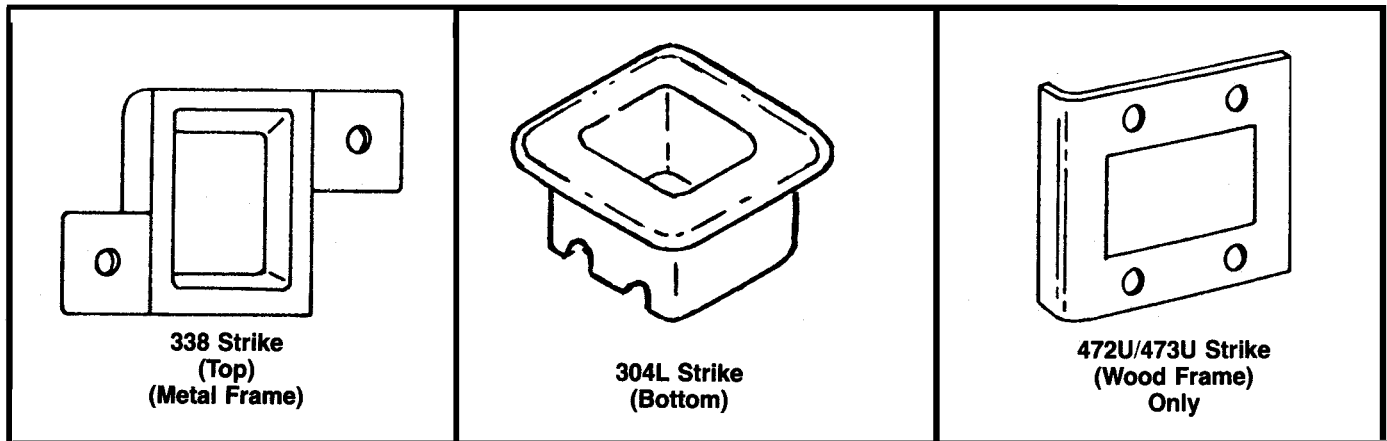


| 5547 WDC Parts List | | |
|---------------------|------|--|
| Item | Qty. | Description |
| 1 | 1 | 338 Strike |
| 2 | 2 | #10-24 x 1/2" (12 mm) Flat Hd. Screw |
| 3 | 1 | 472-U or 473-U Strike (Wood Frame) |
| 4 | 4 | #10-12 x 10-24 x 1" (25 mm) OPHCS |
| 5 | 6 | #12-12 x 12-24 x 1" (25 mm) UFPHCS |
| 6 | 1 | Top Plate Assy. |
| 7 | 1 | Top Rod |
| 8 | 1 | Rod Connector Rivet |
| 9 | 1 | Latch Control Assy. |
| 10 | 1 | Bottom Rod |
| 11 | 1 | Bottom Bolt Guide |
| 12 | 1 | 304L Strike |
| 13 | 1 | Cross Bar Tube |
| 14 | 4 | #12-24 x 3/4" (19 mm) OPHMS |
| 15 | 1 | Special Hex Wrench |
| 16 | 1 | Lock Stile Case |
| 17 | 2 | Attaching Ring Wedge |
| 18 | 2 | Tube Attaching Ring |
| 19 | 2 | 5/16" (Ø8 mm)-18 x 5/8" (16 mm) Soc. Hd. Set Screw |
| 20 | 2 | Dog Key |
| 21 | 1 | Hinge Stile Case |
| 22 | 4 | 625A Sex Bolts (1 3/4" (45 mm) Dr.) |
| | 4 | 625B Sex Bolts (2 1/4" (57 mm) Dr.) |

Outside Trim Functions

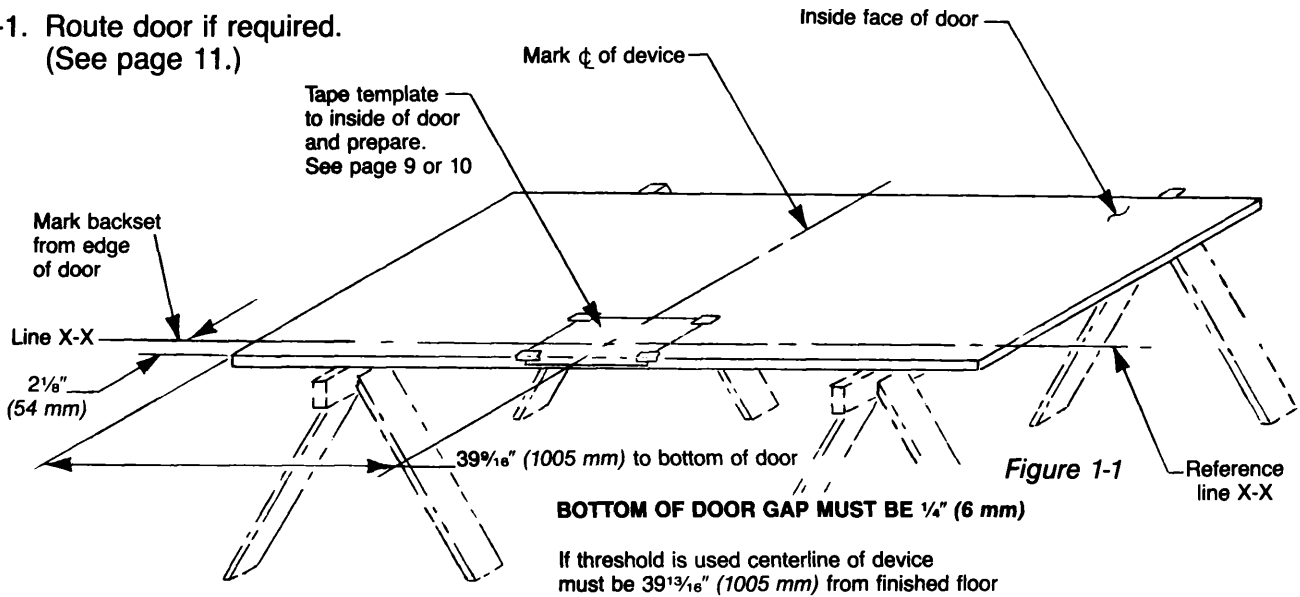


Standard Strikes

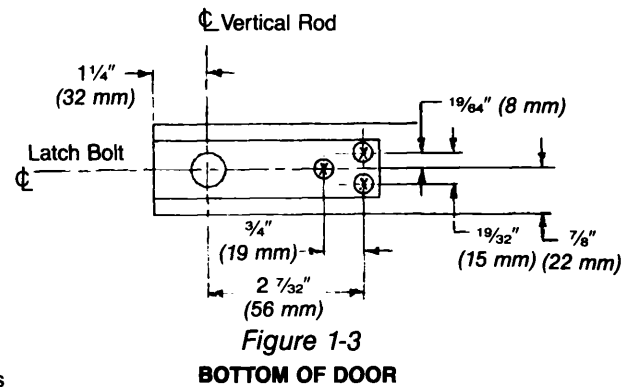
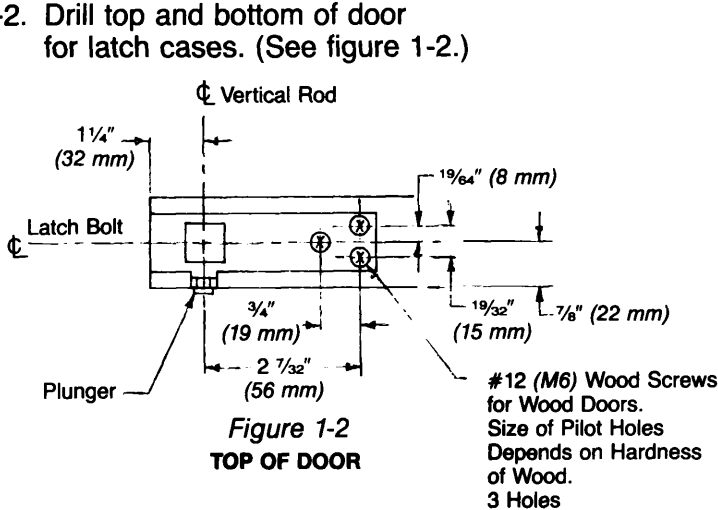


STEP 1 — PREPARE DOOR

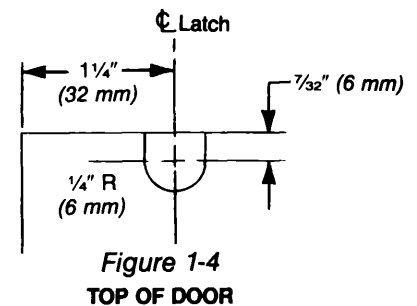
1-1. Route door if required.
(See page 11.)



1-2. Drill top and bottom of door for latch cases. (See figure 1-2.)

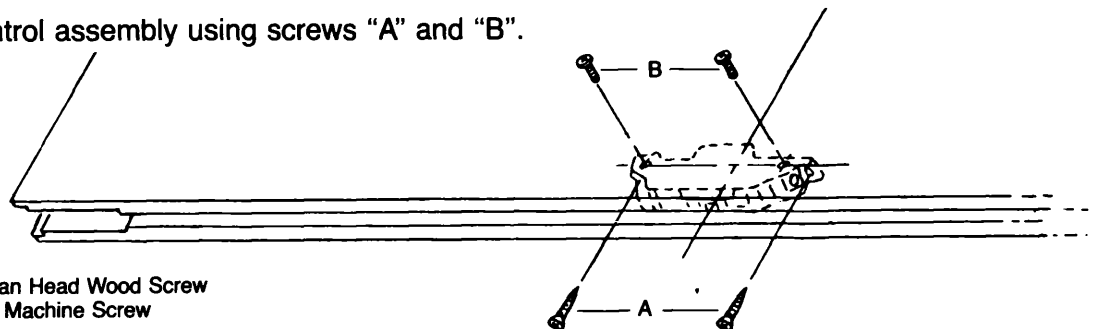


1-3. Drill top of door for ratchet release plunger. (See figure 1-4.)



STEP 2 — INSTALL ROD CONTROL ASSEMBLY

2-1. Install rod control assembly using screws "A" and "B".



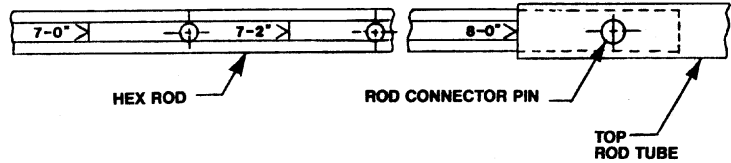
"A" #10 x 1 1/4" (32 mm) Pan Head Wood Screw
"B" #10-24 x 5/8" (16 mm) Machine Screw

STEP 3—CUTTING & ADJUSTING RODS

Top Rod Assembly Instruction

NOTE: Maximum approved door height for 5547 WDC-F devices is 9'3" (2819 mm)

1. Assemble top rod tube over hex rod and align end of tube with mark that corresponds with pre-drilled height [6'8" (2032 mm), 6'10" (2083 mm), 7'0" (2134 mm), 7'2" (2184 mm), 8'0" (2438 mm)]. See figure 1.
2. Align hole and install rod connector pin.



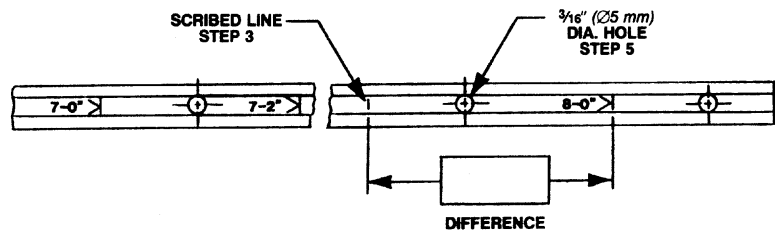
For Miscellaneous Door Heights Up To 8'0" (2438 mm)

1. Measure door opening (sill to rabbet).
2. Subtract measured height from 8'0" (2438 mm) use space provided _____
3. Measure difference from 8'0" (2438 mm) mark on rod and scribe a line on hex rod. See figure 2.
4. Assemble top rod tube over hex rod and align end of tube with scribed line.
5. Mark location of the hole in tube on the hex rod. Drill $\frac{3}{16}$ " ($\varnothing 5$ mm) dia. hole thru hex rod.
6. Align holes and install rod connector pin.

CONSTANT DIM. 8'0" (2438 mm)

MEASURED HEIGHT

DIFFERENCE



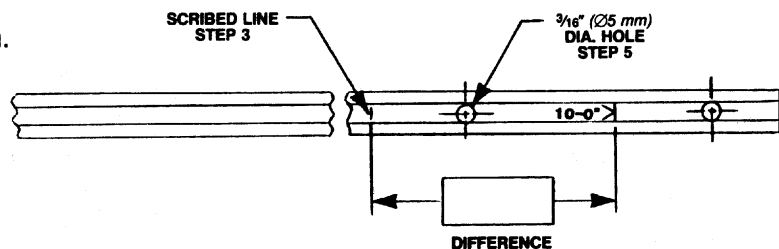
For Miscellaneous Door Heights Up To 10'0" (3048 mm)

1. Measure door opening (sill to rabbet).
2. Subtract measured height from 10'0" (3048 mm) use space provided _____
3. Measure difference from 10'0" (3048 mm) mark on rod and scribe a line on hex rod. See figure 2.
4. Assemble top rod tube over hex rod and align end of tube with scribed line. (Cut hex rod if required).
5. Mark location of the hole in tube on the hex rod. Drill $\frac{3}{16}$ " ($\varnothing 5$ mm) dia. hole thru hex rod.
6. Align holes and install rod connector pin.

CONSTANT DIM. 10'0" (3048 mm)

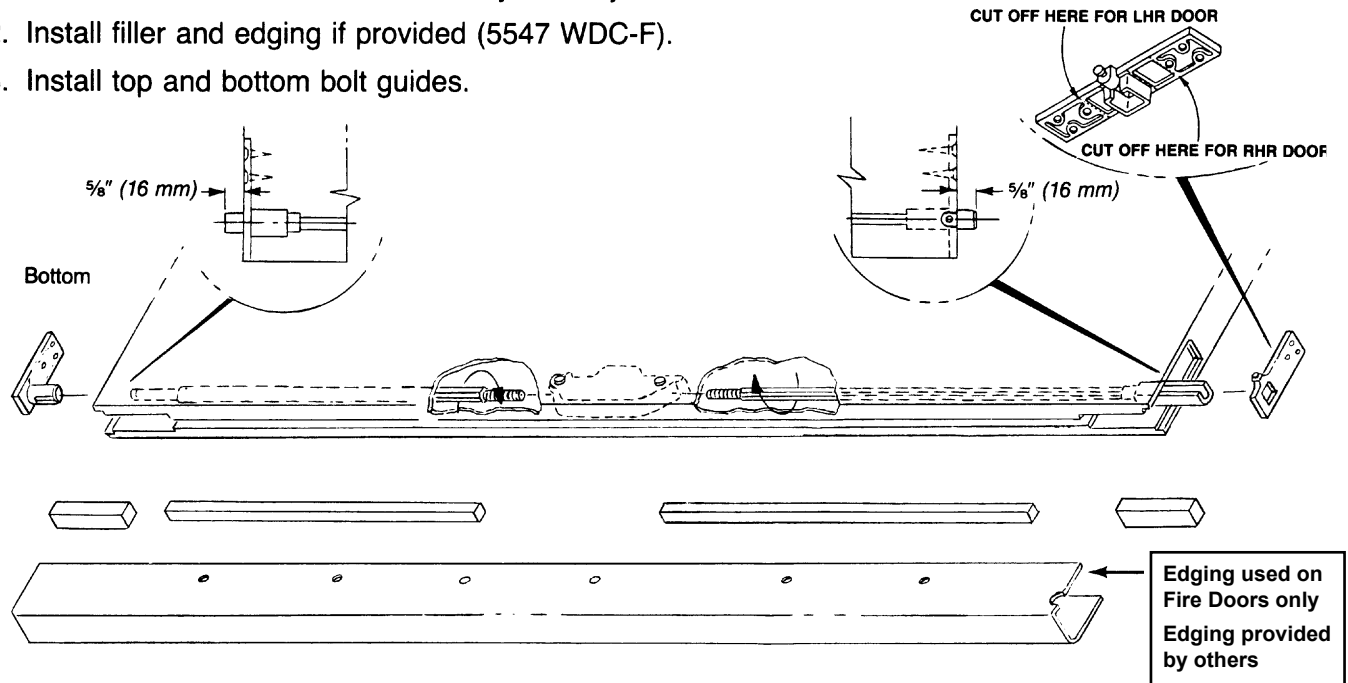
MEASURED HEIGHT

DIFFERENCE



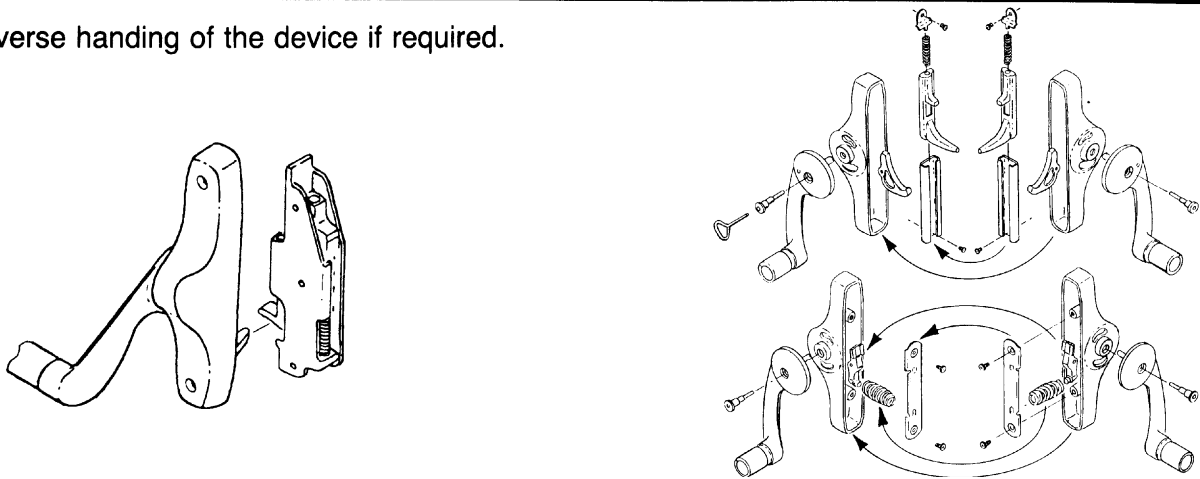
STEP 4—INSTALL & ADJUST RODS

- 4-1. Screw rods into rod control assembly and adjust.
- 4-2. Install filler and edging if provided (5547 WDC-F).
- 4-3. Install top and bottom bolt guides.



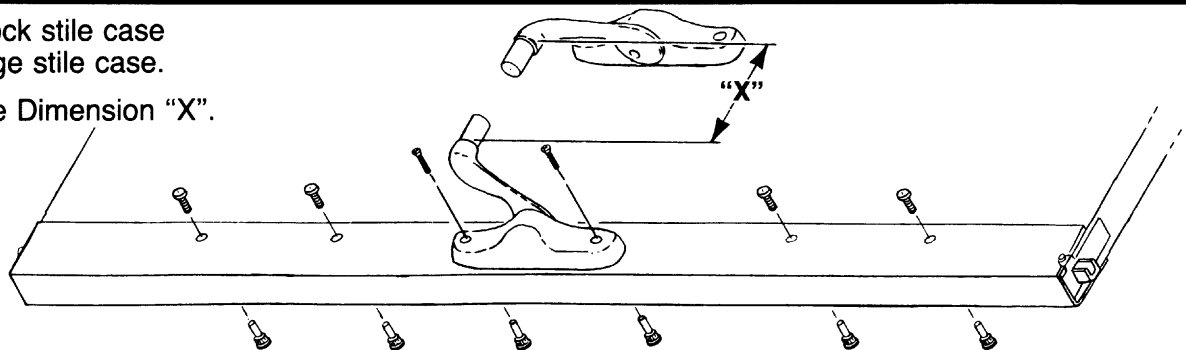
STEP 5—REVERSE HANDING

- 5-1. Reverse handing of the device if required.



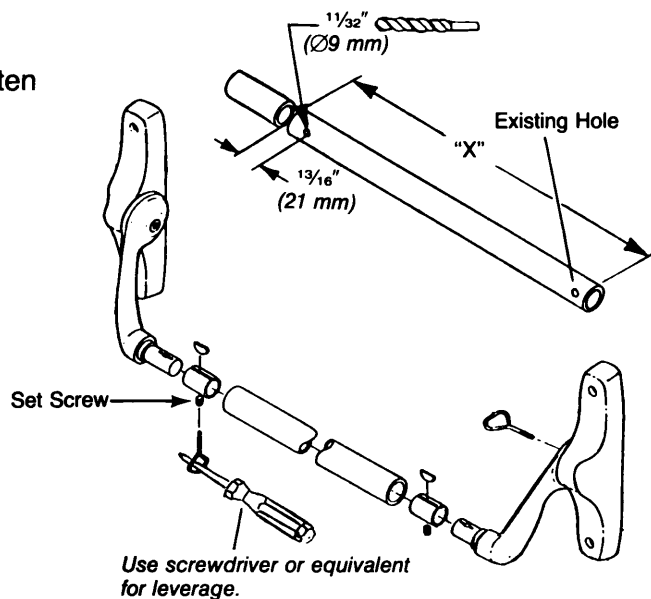
STEP 6—INSTALL DEVICE

- 6-1. Install lock stile case and hinge stile case.
- 6-2. Measure Dimension "X".



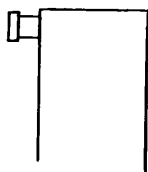
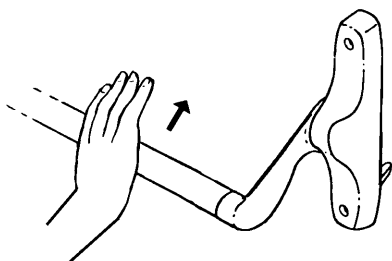
STEP 7—CUT CROSSBAR & INSTALL

- 7-1. Cut crossbar to dimension "X" (Step 6-2).
- 7-2. Drill hole through one wall of crossbar.
- 7-3. Remove hinge stile case to install crossbar.
- 7-4. Install hinge stile case and set screws to tighten crossbar.

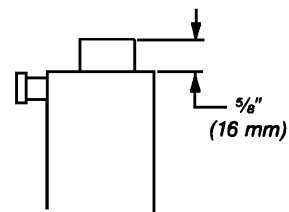
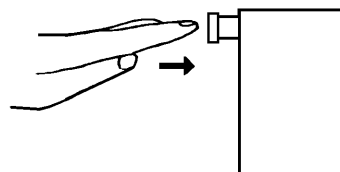


STEP 8—OPERATIONAL CHECK

- 8-1. Push crossbar and release. Top bolt should stay retracted.



- 8-2. Push button with finger. Top bolt should release.



STEP 9—HANG DOOR AND GO TO STEP 10

STEP 10—INSTALL SILL STRIKE OR THRESHOLD

- 10-1. Mark floor for strike location with door closed.
- 10-2. Grout 304L strike in floor as shown in figure 1.
- 10-3. Prepare threshold if used per figure 2.

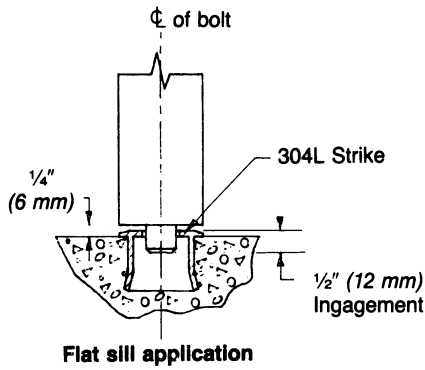
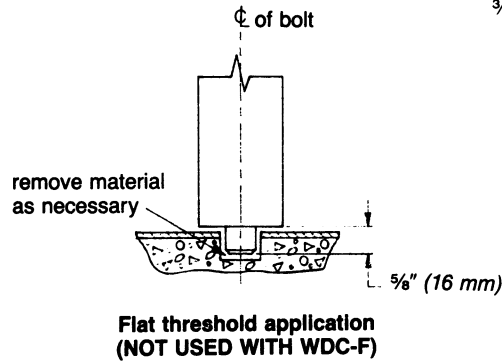
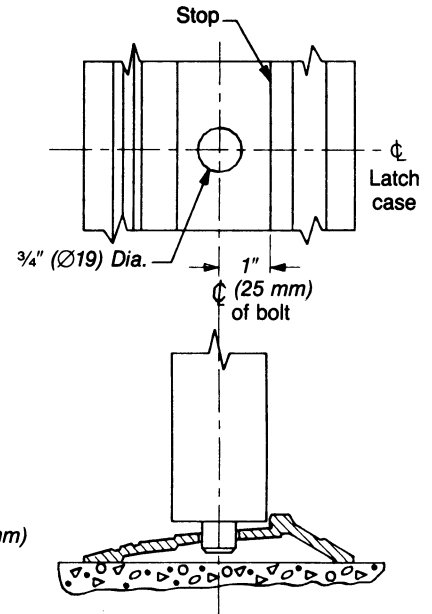


Figure 10-1



Flat threshold application
(NOT USED WITH WDC-F)

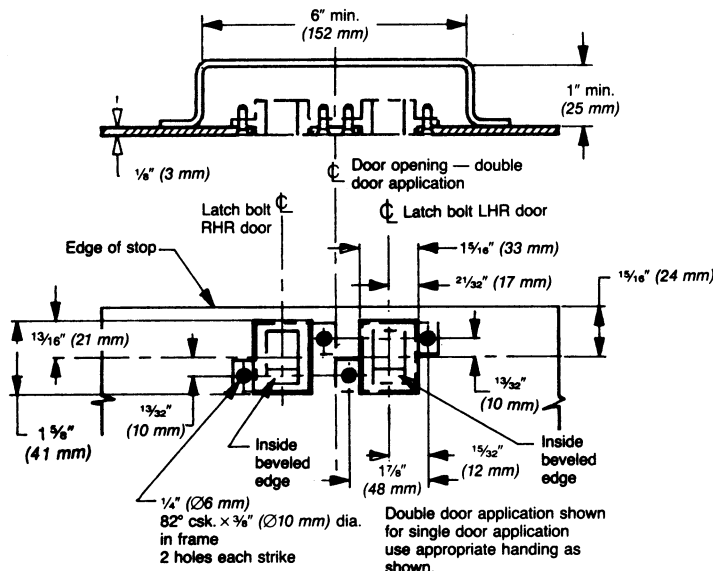


Latch track
threshold application
(NOT USED WITH WDC-F)

Figure 10-2

STEP 11—INSTALL SOFFIT STRIKE

- 11-1. Install 338 strike to frame as shown in figure 11-1.
- 11-2. For wood frames, install 472-U or 473-U strikes as shown in figure 11-2.



338 STRIKE APPLICATION
DOUBLE DOOR APPLICATION SHOWN

Figure 11-1

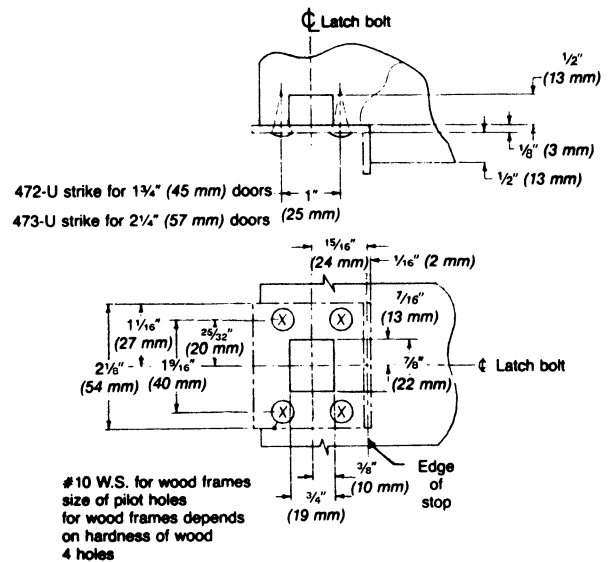
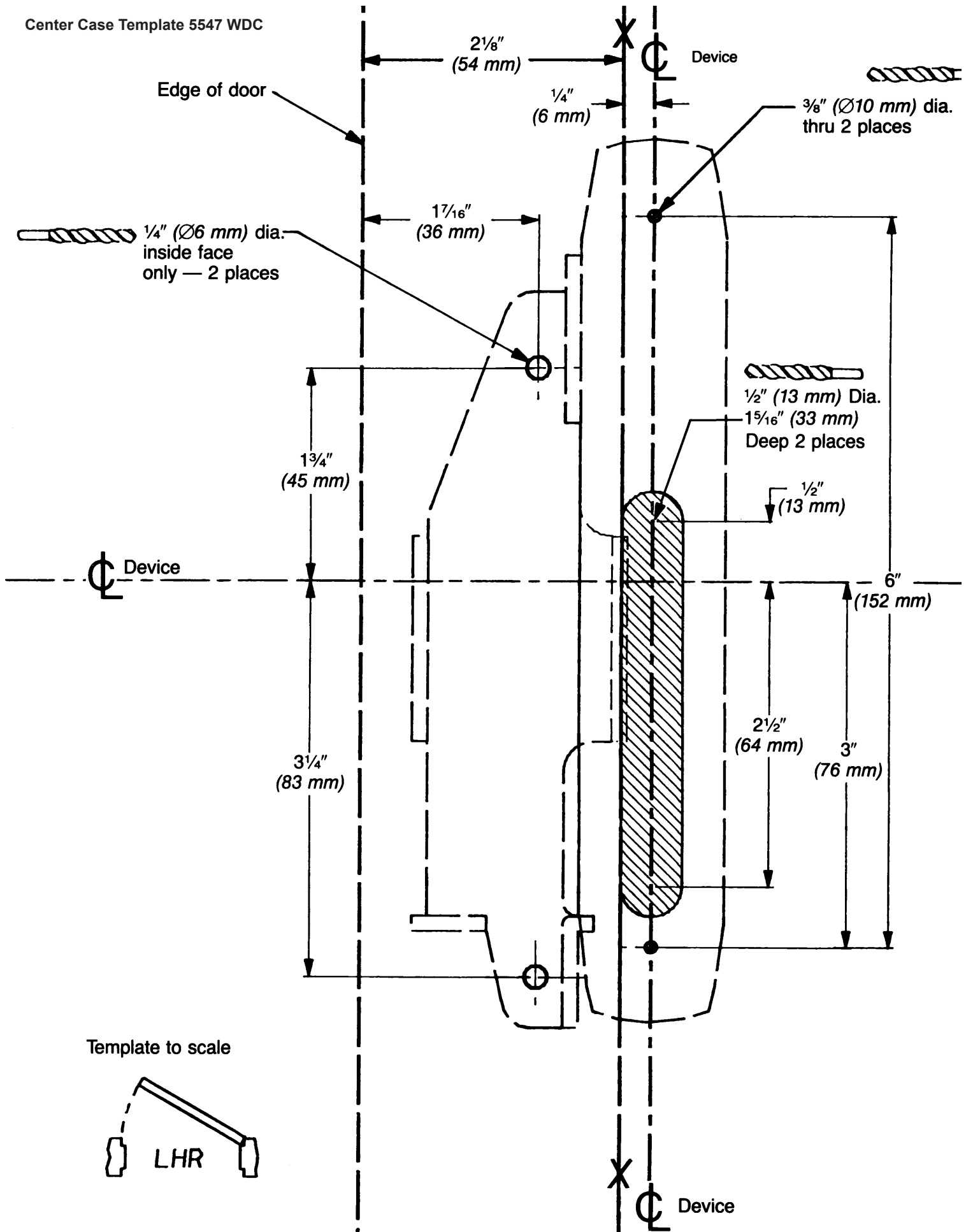


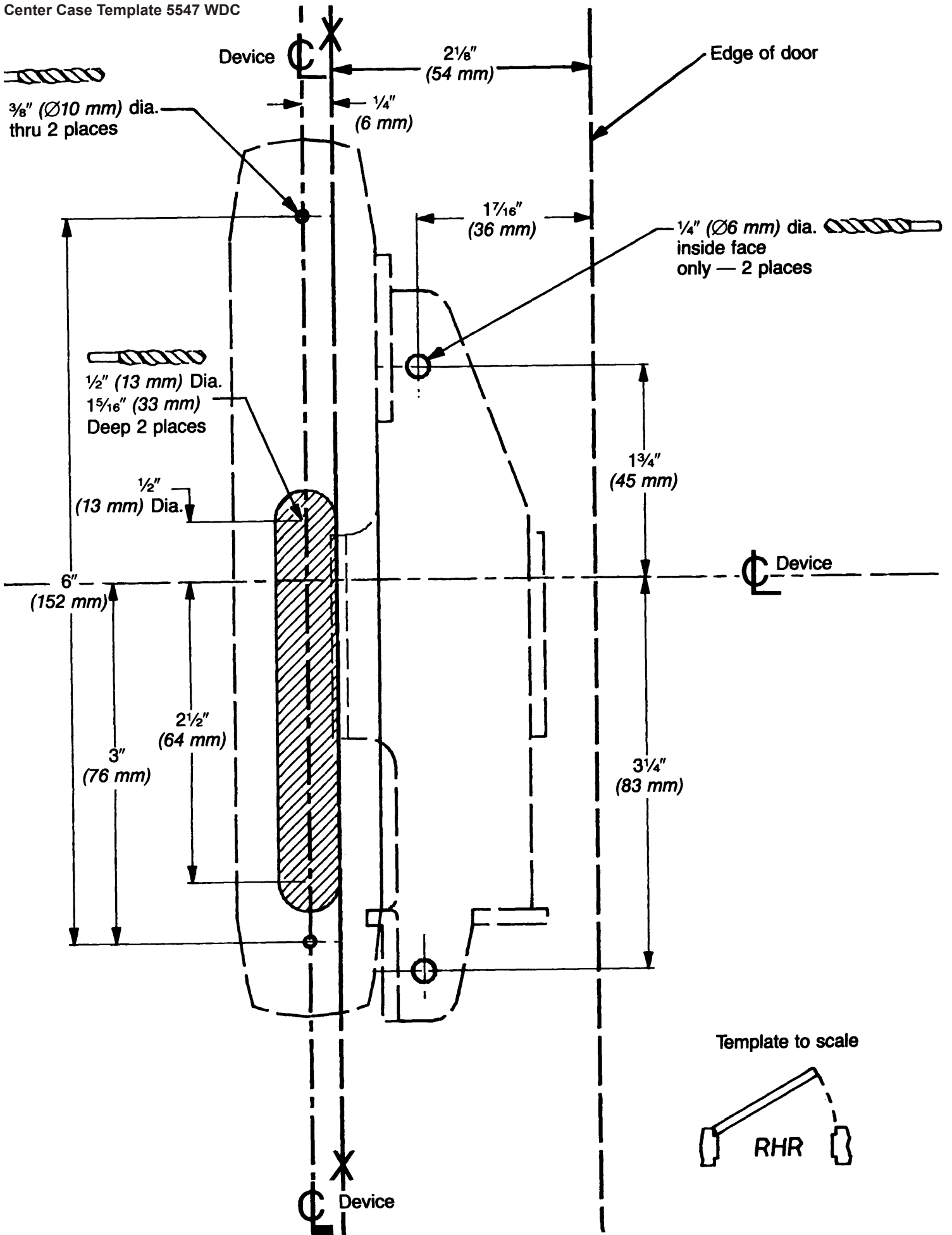
Figure 11-2

STEP 12—INSTALL DOOR EDGING IF PROVIDED

Center Case Template 5547 WDC

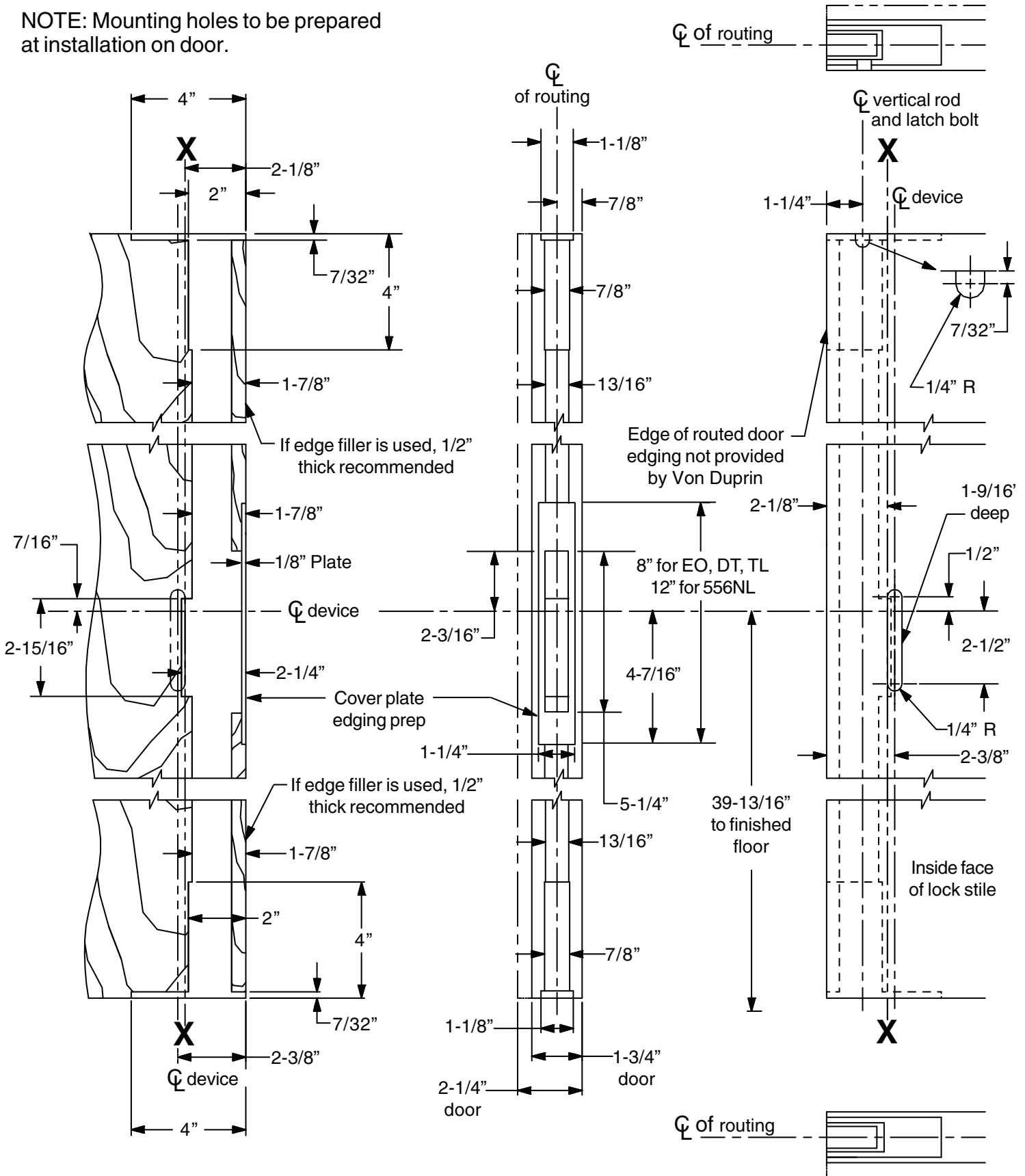


Center Case Template 5547 WDC



For outside trim preparation, when required, see additional trim template.

NOTE: Mounting holes to be prepared at installation on door.



Wood door preparation