



941009-00

55/88

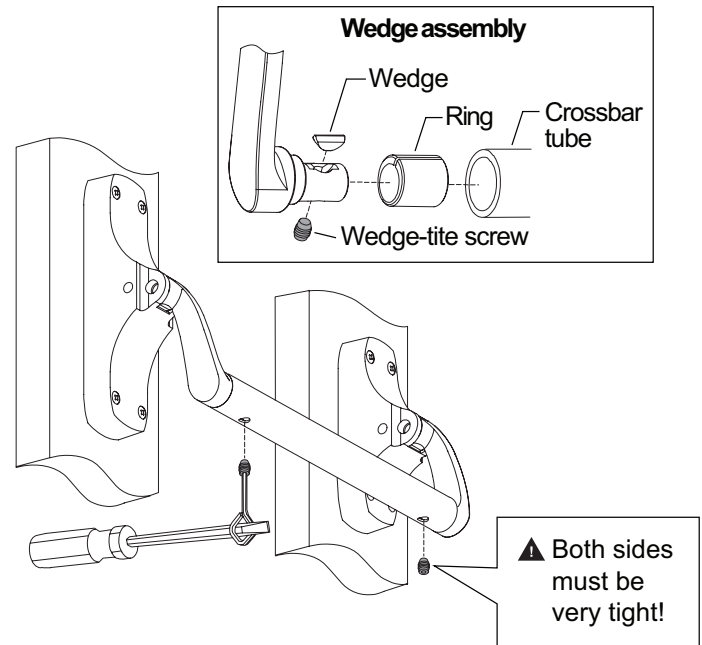
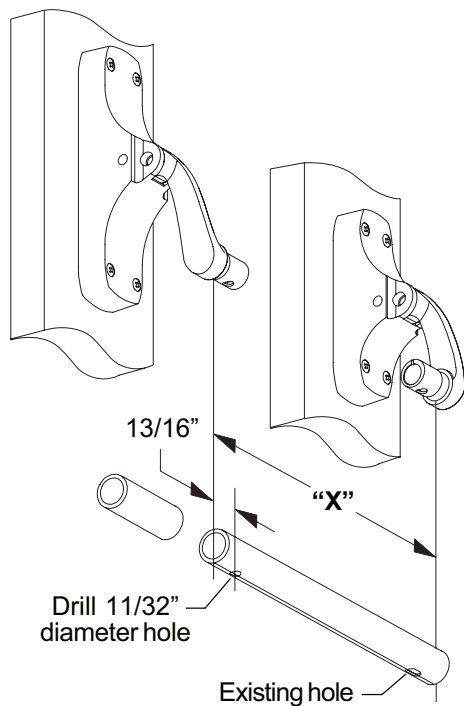
VON DUPRIN®

Crossbar Devices

Installation and Dogging Instructions

Crossbar Tube Installation

1. With hinge and lock stile cases installed on door, install lever arms into cases (see instructions in axle package).
2. Measure dimension "X."
3. Cut crossbar tube to dimension "X." Cut end without hole.
4. Measure 13/16" from cut end and mark hole position in alignment with existing hole on opposite end.
5. Drill 11/32" hole where marked through one side of tube only.
6. Remove hinge stile case, slide crossbar tube over both lever arms, and reinstall hinge stile case.
7. Dog both lever arms securely (see "Dogging Instructions" below) before tightening set screws.
8. Fully tighten wedge-tite screws using dog key with screwdriver or equivalent for leverage (See figure below). Both sides must be very tight.
9. Undog lever arms and check for free operation of crossbar.



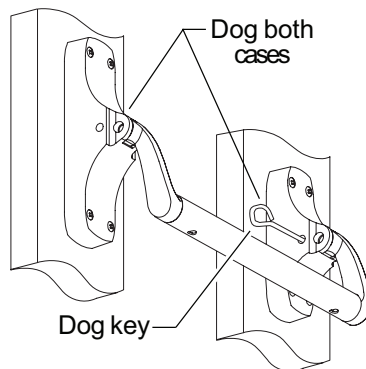
Dogging Instructions

To dog device:

1. Push crossbar all the way down.
2. Insert dog key into case and turn clockwise.
3. Repeat on opposite case.

To undog device:

1. Hold crossbar in dogged position.
2. Insert dog key into case and turn counterclockwise.
3. Repeat on opposite case.



**GIVE INSTRUCTIONS AND
DOG KEY TO BUILDING
MANAGER**

ATTENTION BUILDING MANAGER

You will extend the life of Von Duprin devices by dogging the crossbar during high traffic periods.

Customer Service

1-877-671-7011 www.allegion.com



© Allegion 2016
Printed in U.S.A.
941009-00 Rev. 07/16-c