



911024-00

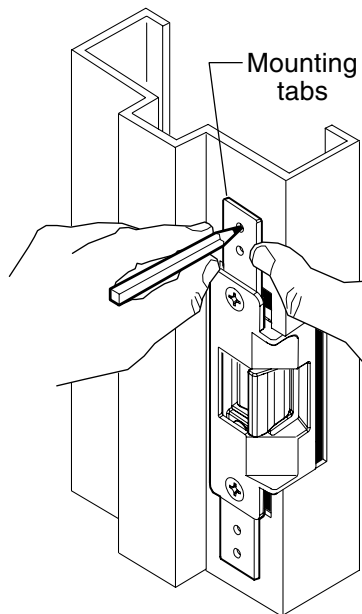
6000

VON DUPRIN®

Electric Strike Aluminum Frame Tabs

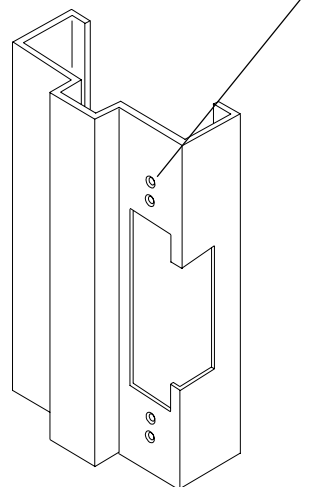
Installation Instructions

1 Attach mounting tabs to strike with two #12-24 screws and mark 4 mounting tab holes on frame as shown below.

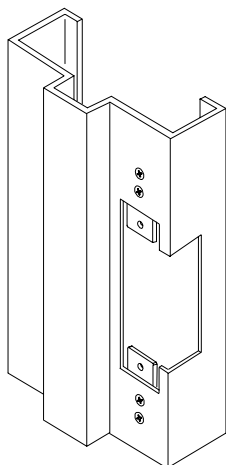


2 Drill four mounting holes.

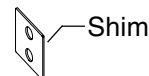
1/4" thru hole countersunk for #10-24 flat head screw, 4 places



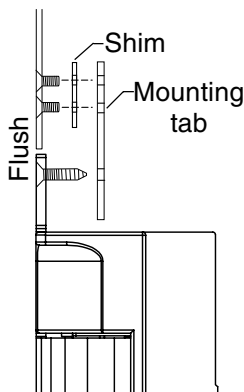
3 Mount the two mounting tabs inside frame using #10-24 screws as shown below.



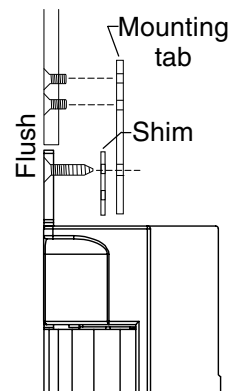
4 Shim strike in or out as needed until faceplate is flush with frame.



Frame too thin
Add shim(s) between tabs and frame



Frame too thick
Add shim(s) between tabs and strike



Customer Service

1-877-671-7011

www.allegion.com/us

© Allegion 2014
Printed in U.S.A.
911024-00 Rev. 01/14-b