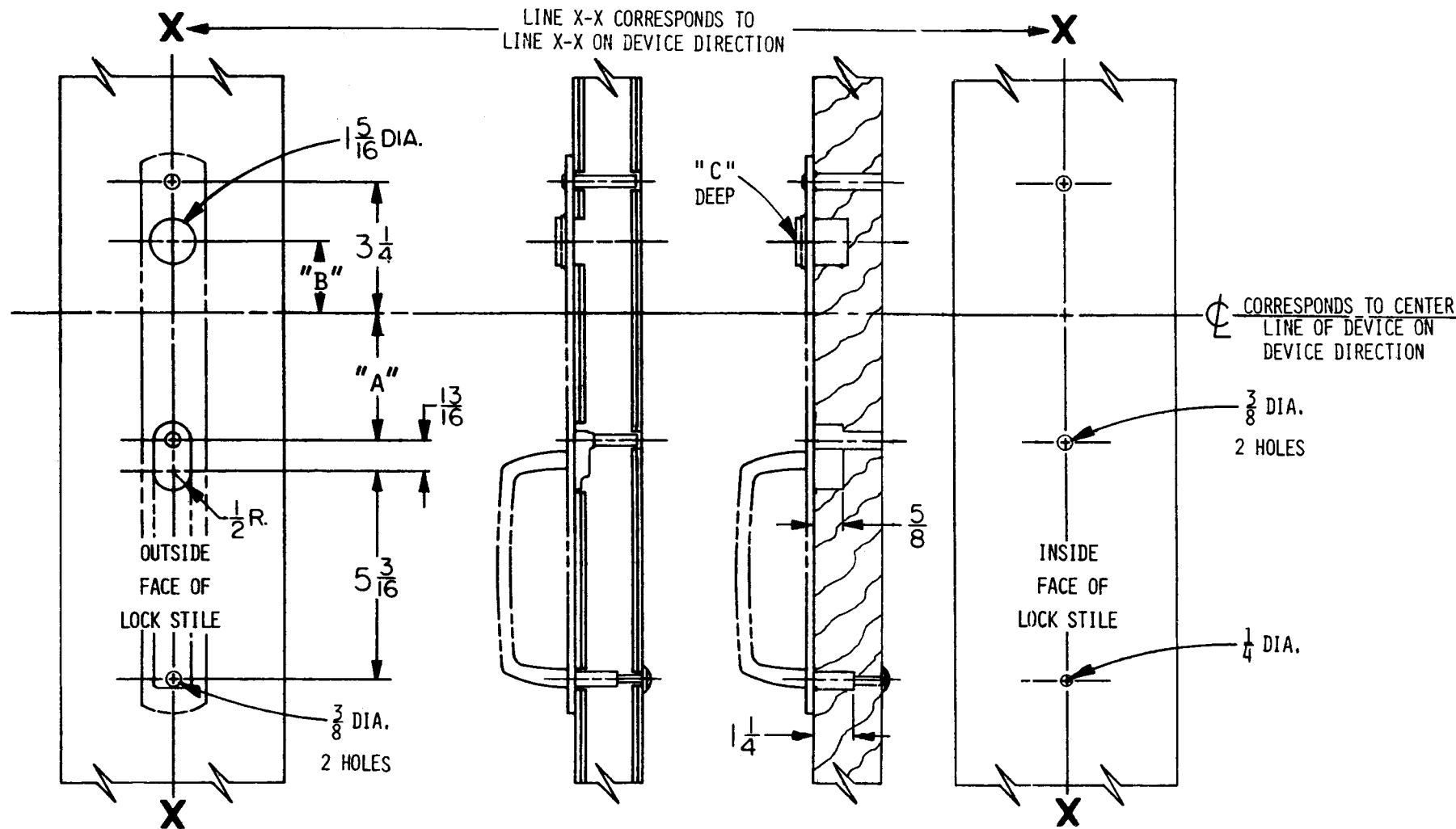


INSTALLATION INSTRUCTIONS

1. PREPARE INSIDE FACE OF LOCK STILE FOR DEVICE
 - A. SEE DEVICE DIRECTION FOR HOLES, CORRECT BACKSET AND LOCATION OF LINE X-X.
2. PREPARE OUTSIDE FACE OF DOOR FOR TRIM
 - A. TRANSFER LINE X-X FROM INSIDE FACE TO OUTSIDE FACE OF DOOR. BE SURE LINE X-X IS PARALLEL TO EDGE OF DOOR.
 - B. LOCATE AND PREPARE ALL HOLES AS INDICATED.
3. APPLY TRIM
 - A. CUT CYLINDER TAILPIECE WHEN USED TO EXTEND BEYOND INSIDE FACE OF DOOR PER CHART BELOW.

DEVICE	PROJECTION INTO DEVICE CASE
	CYL. TAILPIECE
66	3/16 TO 1/4
77	3/16 TO 1/4

4. APPLY DEVICE



DEVICE APPLICATION SCHEDULE							
DEVICE	DIM. "A"	DIM. "B"	DIM. "C"	DEVICE	DIM. "A"	DIM. "B"	DIM. "C"
66 RIM	3 1/4	1/4	THRU	66 MORT.	3 1/4	2"	3/4
77 RIM	3 1/4	1/4	THRU	77 MORT.	3 1/4	2"	3/4



© Allegion 2015
Printed in U.S.A.
921056-00 Rev. 06/15-b

Customer Service
1-877-671-7011 www.allegion.com/us

FOR CUTOUTS ON INSIDE FACE OF DOOR
SEE DIRECTIONS IN DEVICE CARTON

DESCRIPTION
606NL TRIM

VON DUPRIN

DIRECTION NUMBER	21056-0	DATE	8-1-69
-------------------------	---------	-------------	--------