



921070-00

Surface Applied Trim

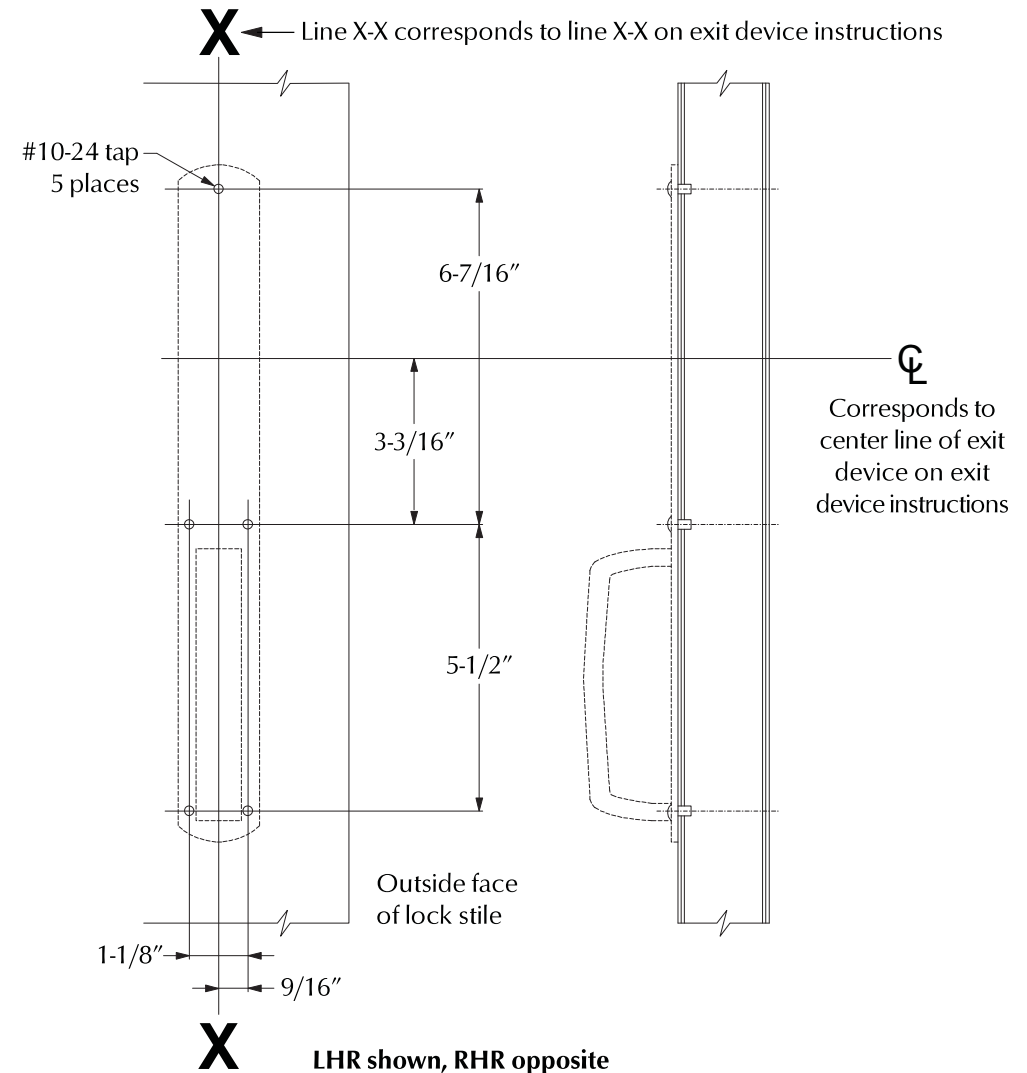
609DT

VON DUPRIN®

Installation Instructions

1. Prepare door for exit device. See exit device instructions for holes, line X-X, and center lines.
2. Prepare door for trim:
 - A. Transfer line X-X from inside (exit device side) of door to outside (trim side) of door. Use extra care if edge of door is beveled. Be sure line X-X is parallel to edge of door.
 - B. Locate and prepare holes as shown.
3. Apply trim.
4. Apply exit device.

Device Application Schedule
5547-F Concealed Vertical Rod Device
8847-F Concealed Vertical Rod Device



Customer Service
 1-877-671-7011 www.allegion.com/us



© Allegion 2014
 Printed in U.S.A.
 921070-00 Rev. 10/14-b