



921101-00

# 696/697DT/NL

# VON DUPRIN®

Trim

Installation Instructions

1. Prepare door for exit device. See exit device instructions for holes, line X-X, and center lines.
2. Prepare door for trim:
  - A. Transfer line X-X from inside (exit device side) of door to outside (trim side) of door. Use extra care if edge of door is beveled.
  - B. Locate and prepare all holes as shown.
3. For NL trim with 98/99 Rim, 98/9927, or 98/9947 exit device:
  - A. Install cylinder (Figure 1).
  - B. Cut cylinder tailpiece to extend 7/16" to 9/16" out of exit device side of door.
  - C. Install tailpiece guide in exit device cam (Figure 2).
4. Apply trim.
5. Apply exit device or 330/350 Push Bar.

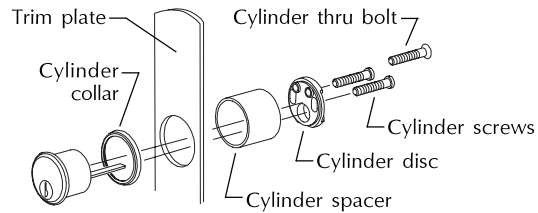


Figure 1

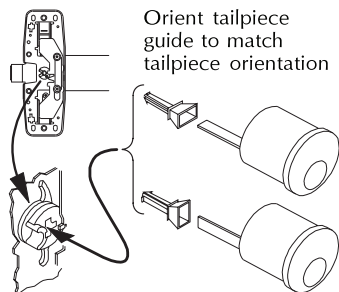
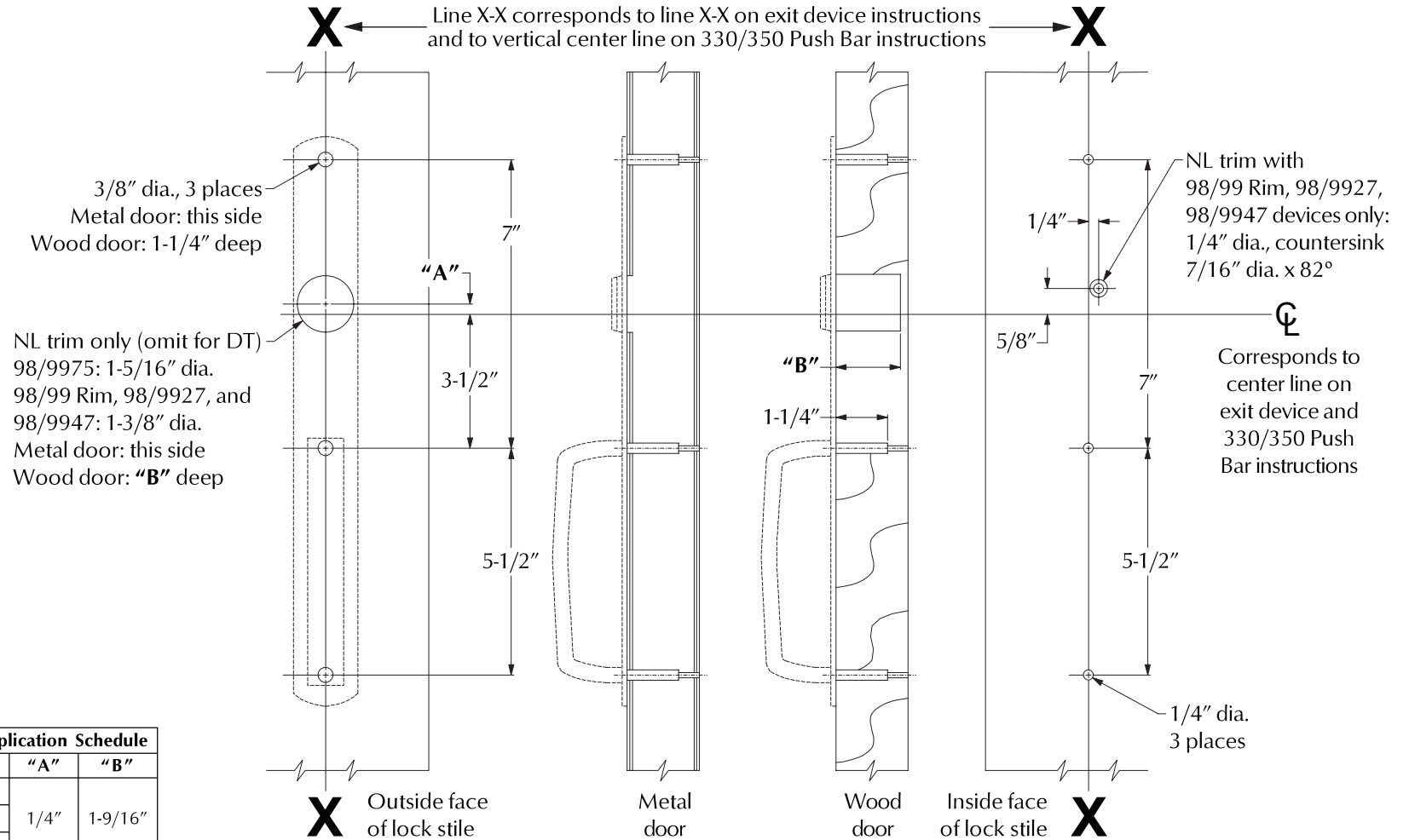


Figure 2

Device Application Schedule		
Device	"A"	"B"
98/99 Rim		
98/9927	1/4"	1-9/16"
98/9947		
98/9975	2-1/4"	3/4"
330/350 Push Bar	N/A	N/A



NL trim only (omit for DT)  
 98/9975: 1-5/16" dia.  
 98/99 Rim, 98/9927, and 98/9947: 1-3/8" dia.  
 Metal door: this side  
 Wood door: "B" deep

LHR shown, RHR opposite

For cutouts on inside face of door, see exit device instructions

**Customer Service**  
 1-877-671-7011 [www.allegion.com/us](http://www.allegion.com/us)

