



921257-00

Trim

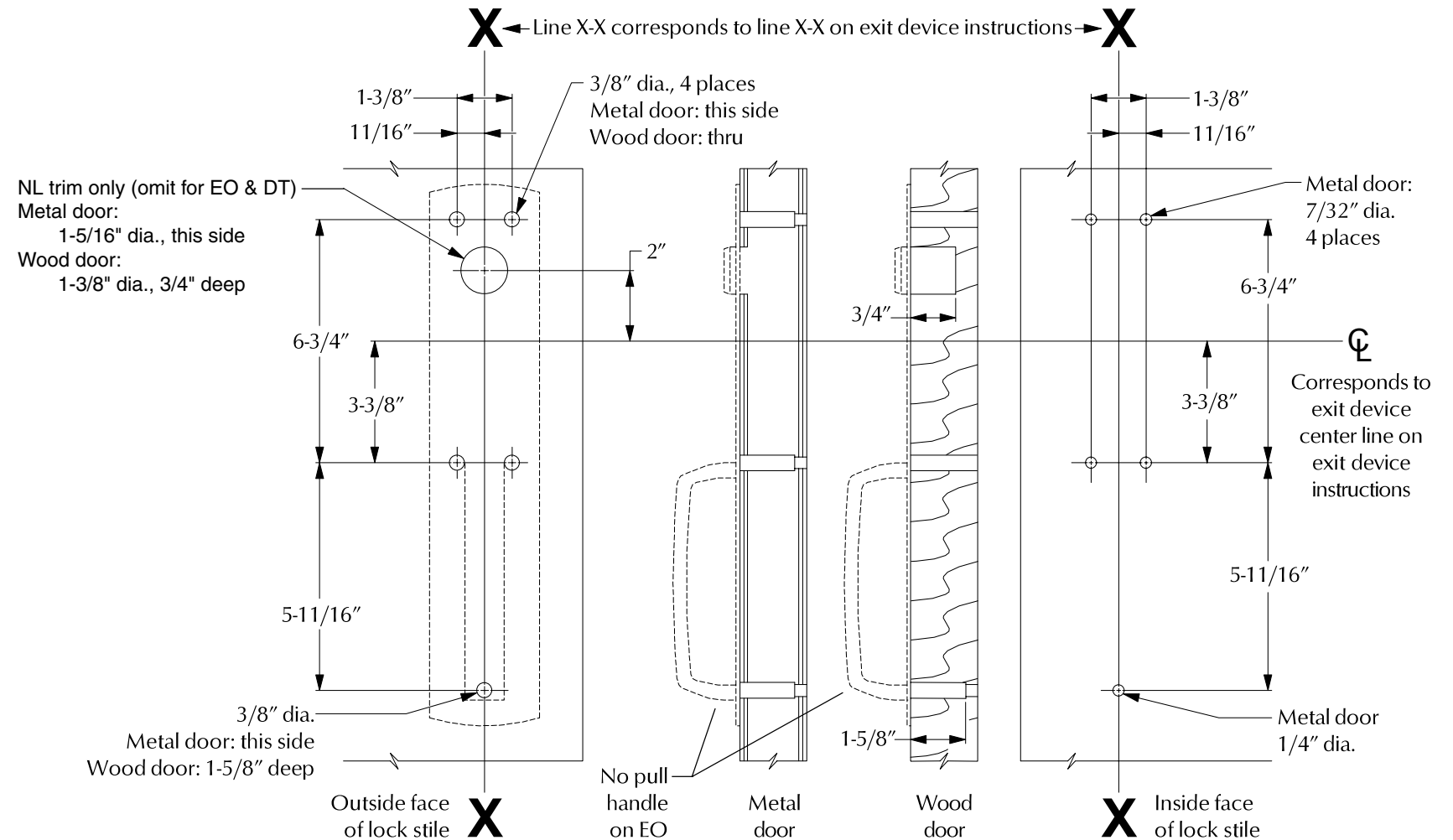
880EO/DT/NL

VON DUPRIN

Installation Instructions

1. Prepare door for exit device. See exit device instructions for holes, line X-X, and center lines.
2. Prepare door for trim:
 - A. Transfer line X-X from inside (exit device side) of door to outside (trim side) of door. Use extra care if edge of door is beveled.
 - B. Locate and prepare all holes as shown.
3. Apply trim.
4. Apply exit device.

Device Application Schedule	
Trim	Device
880EO/DT	8827 Vertical Rod 8875 Mortise Lock
880NL	8875 Mortise Lock



LHR shown, RHR opposite

For cutouts on inside face of door, see exit device instructions

Customer Service
1-877-671-7011 www.allegion.com/us



© Allegion 2014
Printed in U.S.A.
921257-00 Rev. 01/14-c