

INSTALLATION INSTRUCTIONS

1. PREPARE TRANSOM

- A. PREPARE TRANSOM AS SHOWN.
- B. SEE FIG. 1 FOR METAL DOOR APPLICATION AND FIG. 2 FOR WOOD DOOR APPLICATION.

NOTE SEX BOLTS ARE FURNISHED FOR WOOD, FORMICA AND STEEL COVERED COMPOSITE DOORS.

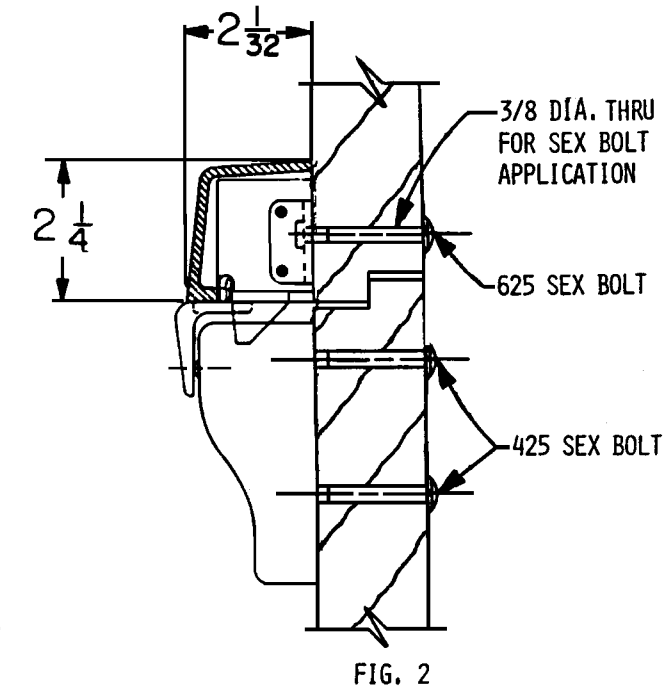
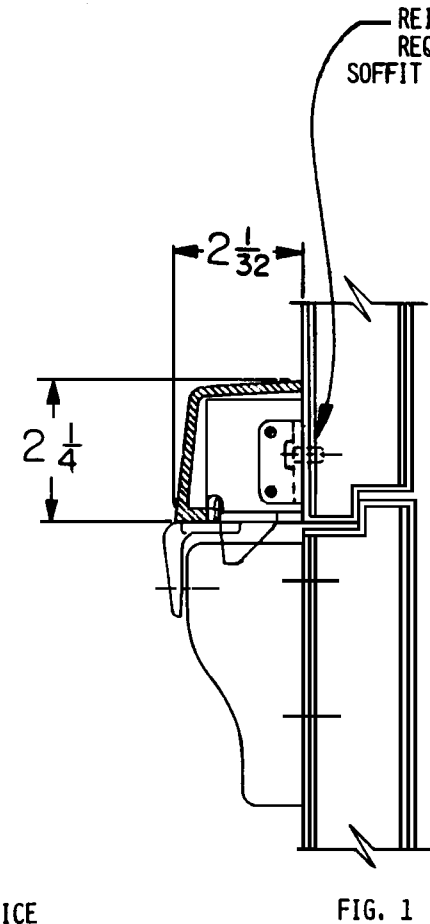
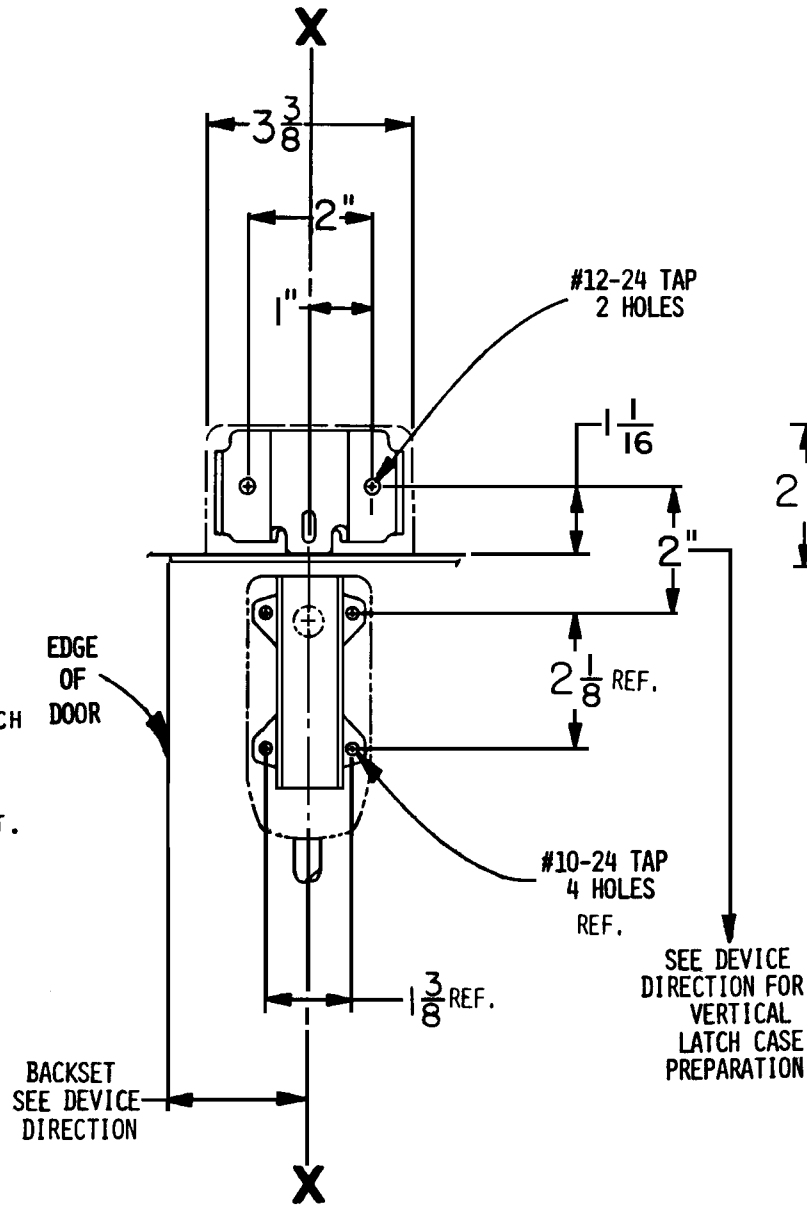
2. INSTALL TRANSOM SOFFIT LATCH BOLT ASSEMBLY

- A. ATTACH LATCH BOLT ASSEMBLY AS SHOWN.
- B. LOCATE HOLES ON DOOR FOR LATCH CASE.
- C. APPLY SOFFIT LATCH BOLT COVER.
- D. APPLY PLUNGER RELEASE BRACKET.

3. APPLY TOP LATCH CASE

- A. CLOSE DOOR AGAINST STOP.
- B. PREPARE DOOR FOR LATCH CASE AS SHOWN.
- C. APPLY TOP LATCH CASE.

4. FOR ADDITIONAL INFORMATION SEE DEVICE DIRECTIONS.



NOTE:
FOR DOOR PREPARATION
SEE DEVICE DIRECTION

LINE X-X CORRESPONDS TO
LINE X-X ON DEVICE DIRECTION

NOT HANDED

Customer Service
1-877-671-7011 www.allegion.com/us

FOR CUTOUTS ON INSIDE FACE OF DOOR
SEE DIRECTIONS IN DEVICE CARTON.

ALLEGION
© Allegion 2015
Printed in U.S.A.
931034-00 Rev. 06/15-b

DESCRIPTION:
FLUSH TRANSOM SOFFIT LATCH
FOR 8827K-F AND 8827-F DEVICES

DEVICE	TEMPLATE
8827K-F	
8813	10166
8817	10164
8817 TP	10165

VON DUPRIN

DIRECTION NUMBER: 931034

DATE 2-3-84