



931038-00

8827-LBR

VON DUPRIN®

Surface Vertical Rod Exit Device

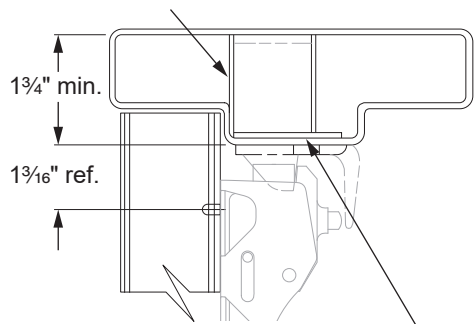
Installation Instruction Supplement

- ⓘ This supplemental instruction is for 8827-LBR (less bottom rod) installations. Refer to instruction 911162-00 for complete device installation.
- ⓘ Any references to bottom rod installation or adjustment in 911162-00 should be disregarded.

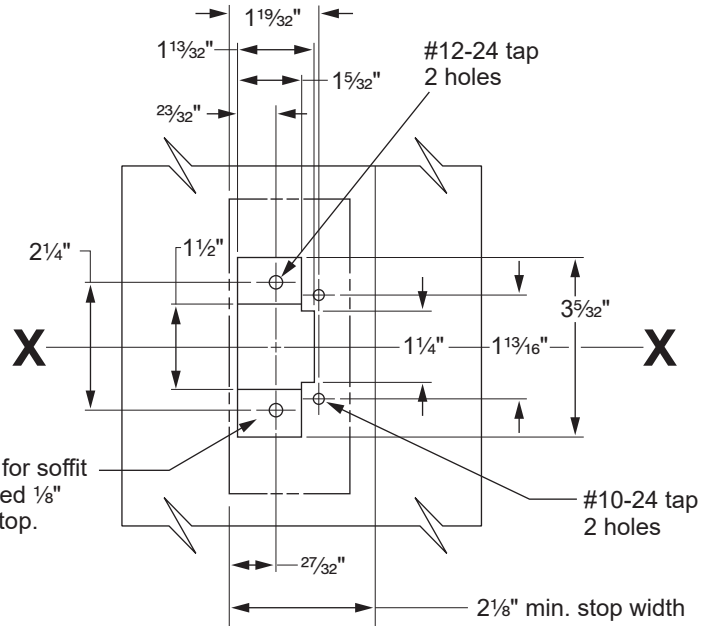
STOP! These steps replace Step 6 of instruction 911162-00.

1 Reinforce frame for soffit latch.

NOTE - Mortar guard should be provided to protect soffit latch bolt assembly



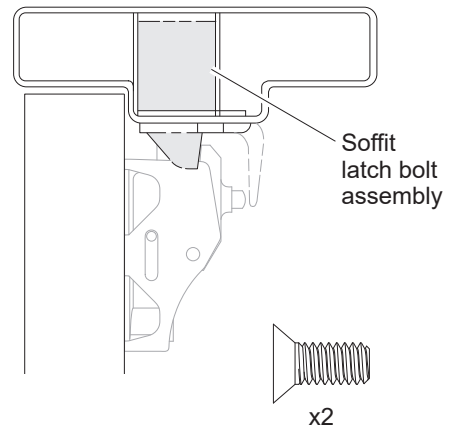
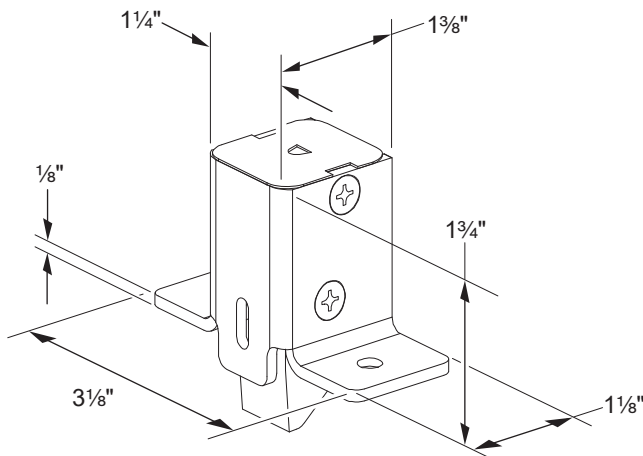
Reinforcing required for soffit latch must be recessed 1/8" from top surface of stop.



SOFFIT FRAME REINFORCEMENT

2 Install soffit latch bolt assembly.

- Block door in open position.
- Install latch bolt as shown.



Customer Service

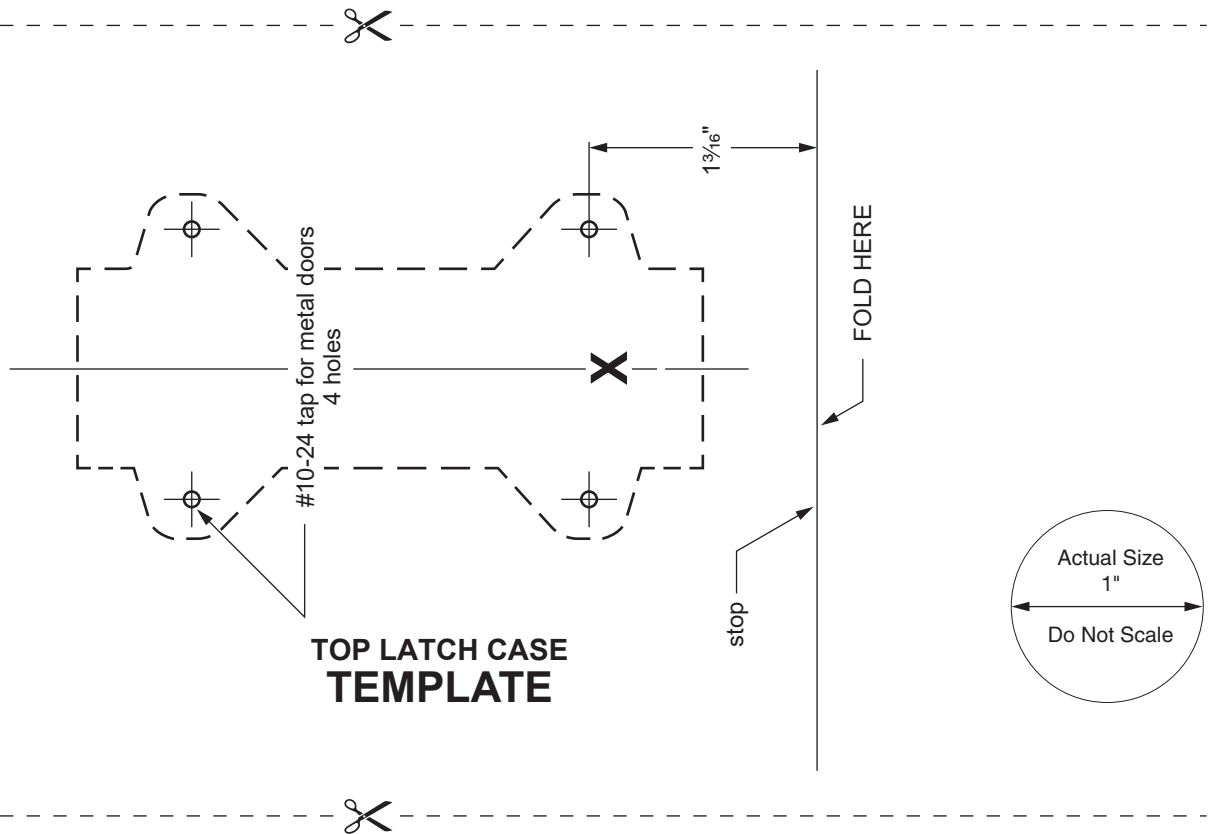
1-877-671-7011 www.allegion.com/us



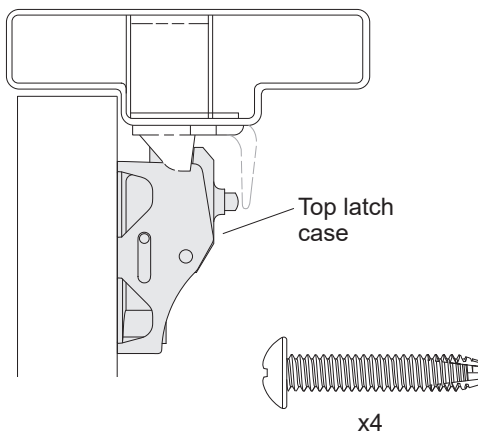
© Allegion 2019
Printed in U.S.A.
931038-00 Rev. 04/19-a

3 Prepare door and stop.

- Close door against stop.
- Tape paper template (below) to door and stop.
- Prepare door for latch case.

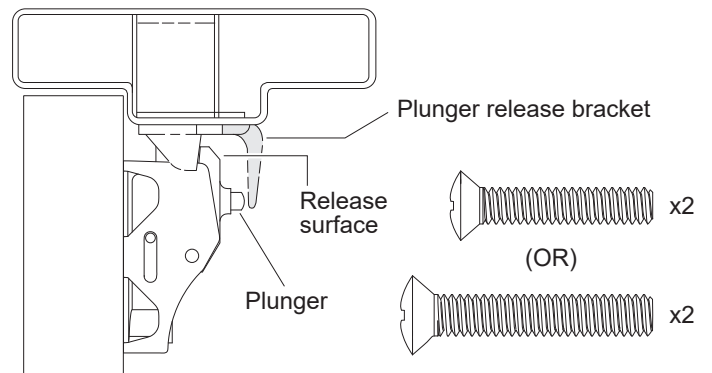


4 Apply top latch case.



5 Apply plunger release bracket.

- Close door against stop.
- Position bracket to depress plunger and allow rods to fall into engaged position.
- Tighten bracket mounting screws.



6 Apply top rod per instruction 911162-00.

STOP! Skip steps 8 and 9 of instruction 911162-00, then proceed with the device instructions as written.