



941007-00

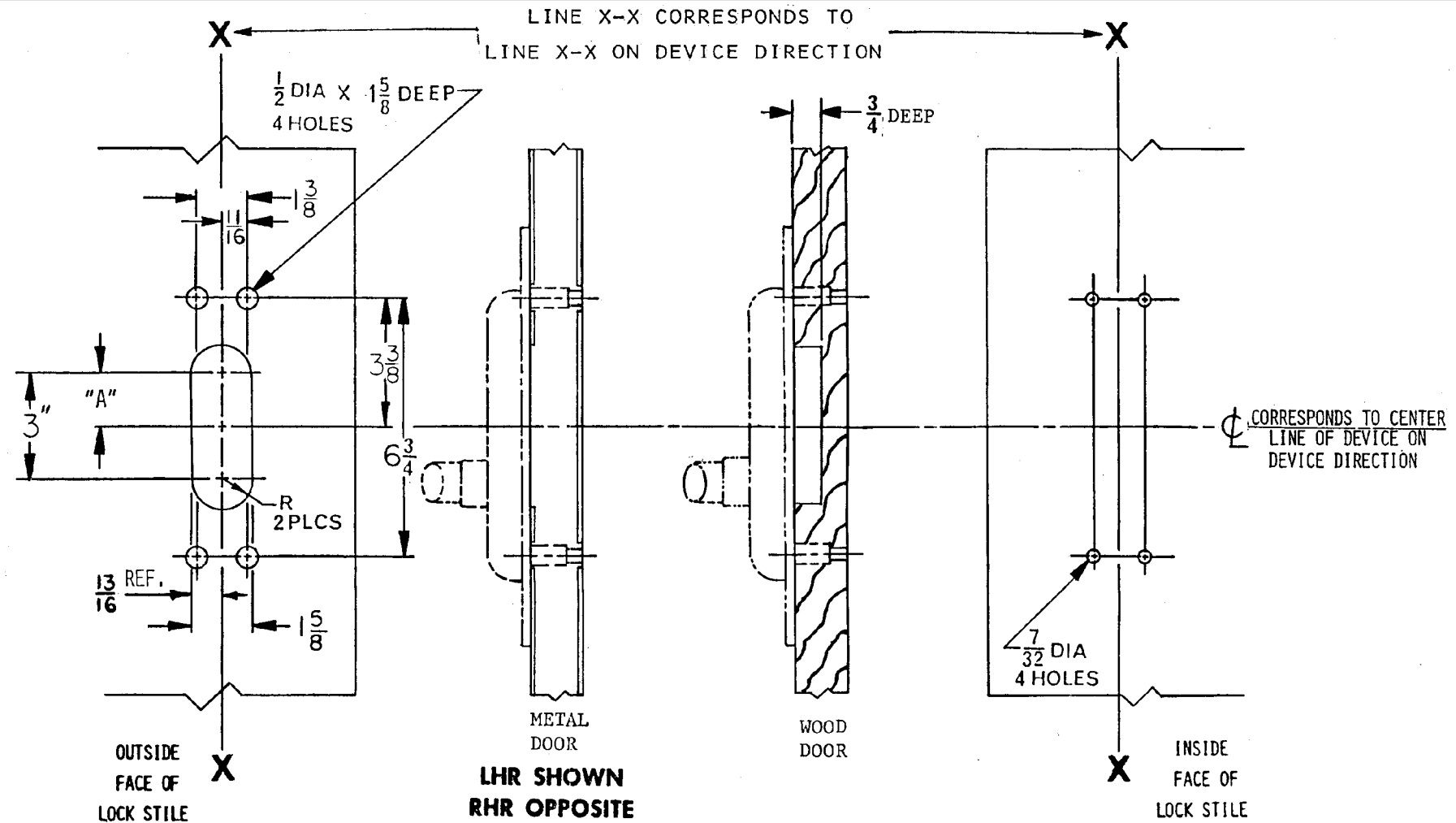
Control Plate

889

VON DUPRIN®

Installation Instructions

1. Assemble 3-L control and 889 control plate per the instructions on reverse side of sheet.
2. Prepare inside face of lock stile for device.
 - A. See device direction for holes, correct backset and location of line X - X.
3. Prepare outside face of lock stile for control plate.
 - A. Transfer line X-X from inside face to outside face of door. Be sure line X-X is parallel to edge of door.
 - B. Locate and prepare all holes as indicated.
4. Apply control plate assy.
5. Apply device.
6. Test key, control & device action.



DEVICE	DIM A
8827K, 8827K-F	1 1/2
8875	1 3/4

FOR CUTOUTS ON INSIDE FACE OF DOOR
SEE DIRECTIONS IN DEVICE CARTON.

Customer Service
1-877-671-7011 www.allegion.com/us



© Allegion 2014
Printed in U.S.A.
941007-00 Rev. 01/14-b

889 CONTROL PLATE AND
373-L CONTROL ASSEMBLY
INSTRUCTIONS

1. Remove both hex extensions and set screws from 373-L control.
2. Assemble control, cover plate, and reinforcing plate assy using two 1/4 - 20 X 3/4 lg. F.P.H.M.S.

NOTE: Large end of cutout on reinforcing plate assy must be at the top.

