

INSTALLATION DIRECTIONS

BEFORE APPLYING THIS DEVICE

- A. Threshold (if any) must be installed.
- B. Doors must be fitted and hung.
- C. Check that handing of hardware corresponds with handing of door. See Fig. 3.

1. APPLY STRIKE

- A. Tape appropriate strike template to stop.
- B. When Von Duprin Mullion is used apply strike at tapped holes in Mullion. (See illustration 1 or 2)
- C. Vertical rod and rim devices on pairs of doors require 1609J strike. See template No. 30021 for this application.

2. PREPARE DOOR

- A. Tape full size template No. 1 or 2, depending on handing of door, to inside face of lock stile. See Device Height Schedule.

NOTE: BE SURE CENTERLINE OF LOCK STILE CASE IS PARALLEL TO STOP AND THAT EDGE OF CASE IS 3/16" FROM EDGE OF STRIKE. STRIKE MUST BE SHIMMED OUT IF LOCK CASE IS MOUNTED MORE THAN 3/16" FROM STRIKE.

- B. Prepare door as shown. See Fig. 1 for wood door application, and Fig. 2 for metal door application.

3. APPLY OUTSIDE TRIM

- A. See directions in trim carton. Line "X-X" on trim template corresponds to line "X-X" on device template and is parallel to edge of door. Transfer line "X-X" from inside face to outside face of door.
- B. Prepare outside face of lock stile.
- C. If necessary, cut off knob spindle to extend 1/4" to 1/2" and cylinder tailpiece to extend 5/8" to 3/4" thru door and into device case.
- D. Apply outside trim.

4. INSTALL LEVER ARMS

- A. Insert lever arms into lock stile and hinge stile cases.
- B. Assemble axes and tighten securely. (See instructions in axle envelope.)

5. APPLY LOCK STILE CASE

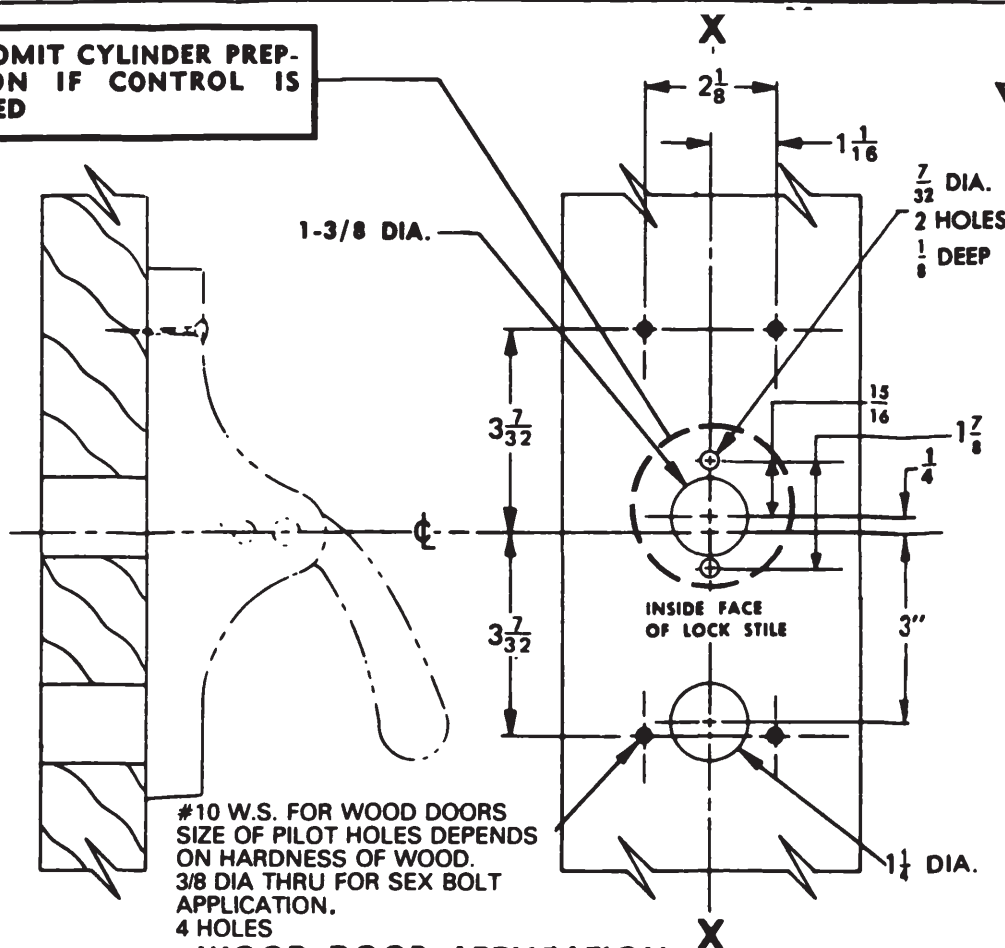
- A. Remove key from cylinder.
- B. Position cylinder cam as shown in Fig. 3.
- C. Attach lock stile case to door. (See Fig. 1 or Fig. 2)
- D. Test key and knob action.

6. APPLY HINGE STILE CASE AND CROSSBAR TUBE (FIG. 4)

- A. Dog lever arms in depressed position.
- B. Slip crossbar tube on lock stile and hinge stile lever arms. (See Direction No. 941009 for cutting crossbar, if necessary.)
- C. Be sure crossbar is level and hinge stile case is parallel to edge of door and approximately on centerline of exposed stile.
- D. Using holes in hinge stile case, mark location and prepare door for attaching screws.
- E. Apply hinge stile case with crossbar in place.
- F. Tighten wedge-lite set screws securely with dog key and screwdriver or equivalent for leverage, and test crossbar for free action. (See Direction No. 941009 for these instructions.)

NOTE: When this device is ordered with two cylinder operation - inside key locks knob. When locked from inside, outside key retracts latch bolt.

NOTE: OMIT CYLINDER PREPARATION IF CONTROL IS SPECIFIED



WOOD DOOR APPLICATION
FIG. 1

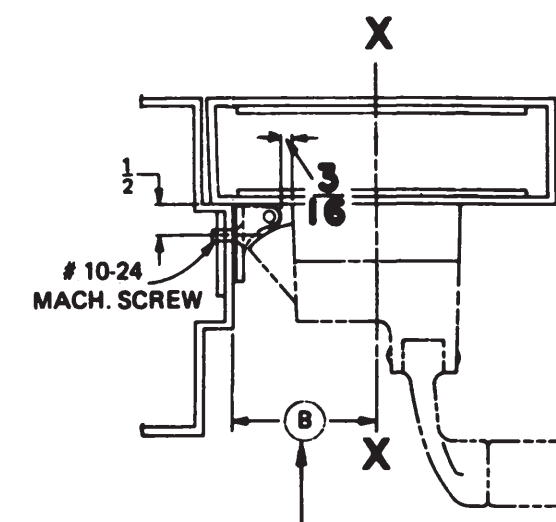
REMOVE SCREWS AND MOVE KNOB HUB AND BRACKET IF CHANGE OF HANDING IS REQUIRED.

KNOB CAM HUB AND BRACKET ASSEMBLY IN THIS POSITION FOR LHR DOOR.

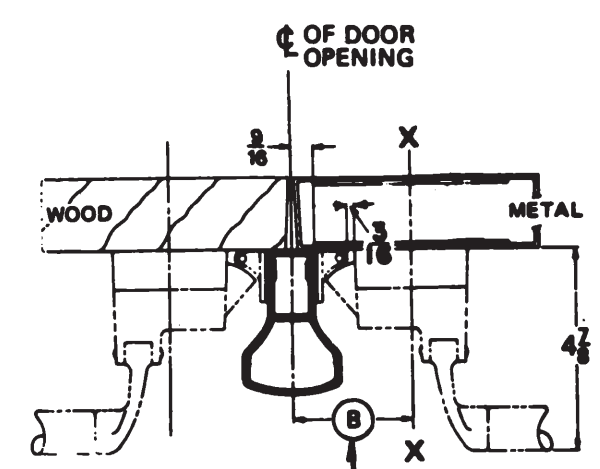
KNOB CAM HUB AND BRACKET ASSEMBLY IN THIS POSITION FOR RHR DOOR.

FIG. 3

Tip of cylinder cam to be in this position. Be sure key is removed from cylinder.



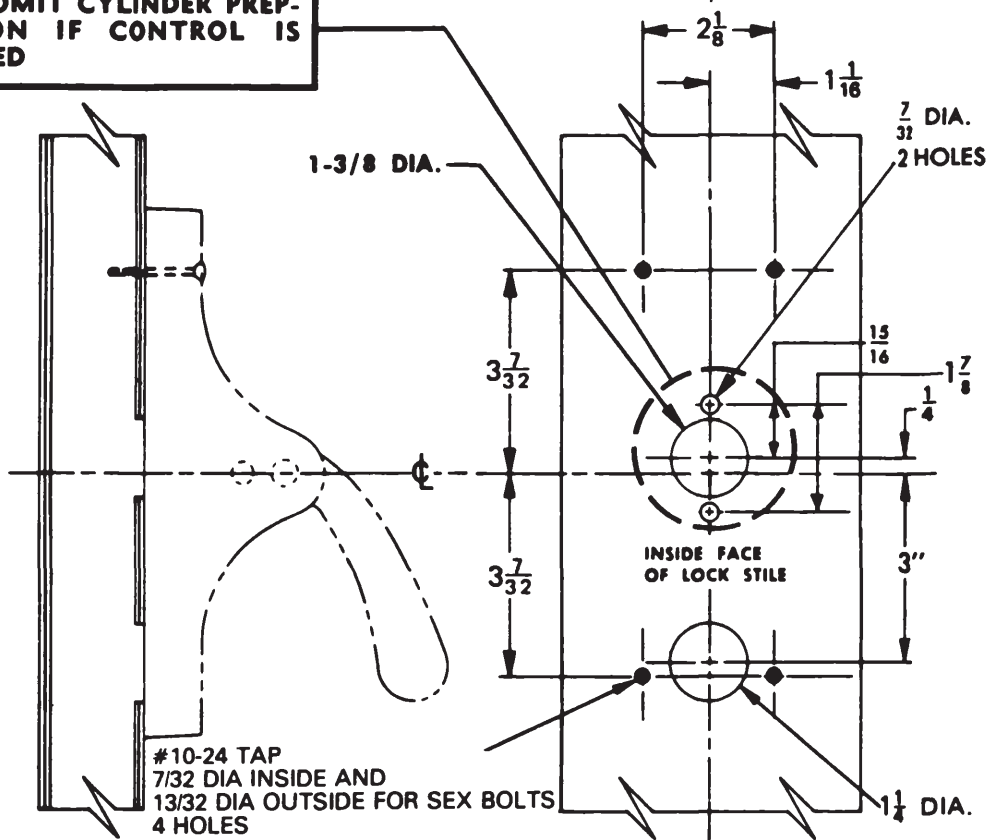
SINGLE DOOR INSTALLATION		
STRIKE	DIMENSION (B)	MIN. STILE
299/299F (shown)	2-3/8	4-3/8
264	2-1/8	4-1/8
1606	1-15/16	3-15/16



DOUBLE DOOR INSTALLATION WITH VON DUPRIN MULLIONS		
MULLION & STRIKE	DIMENSION (B)	MIN. STILE
5254/5654 x 299/299F (shown)	2-15/16	4-1/4
5654 or 5254 x 264	2-11/16	4"

ILLUST. 1

NOTE: OMIT CYLINDER PREPARATION IF CONTROL IS SPECIFIED



METAL DOOR APPLICATION
FIG. 2

FOR TRIM APPLICATION SEE DIRECTIONS IN TRIM CARTON

SINGLE DOOR OPENING 39-13/16 TO FINISHED FLOOR	
THRESHOLD NO.	TO-FIN. FLOOR
ALL THRESHOLDS	39-11/16
NO THRESHOLD (FLAT SILL)	39-11/16

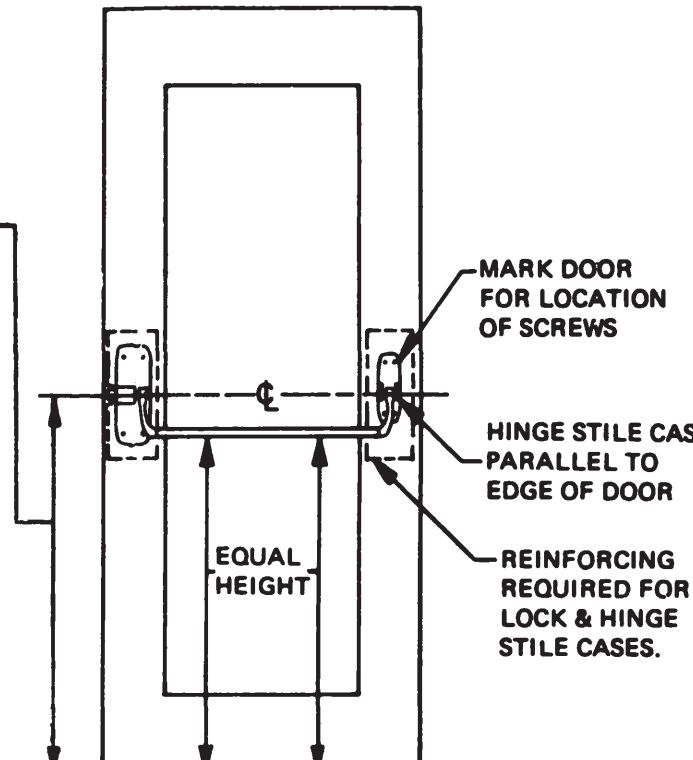
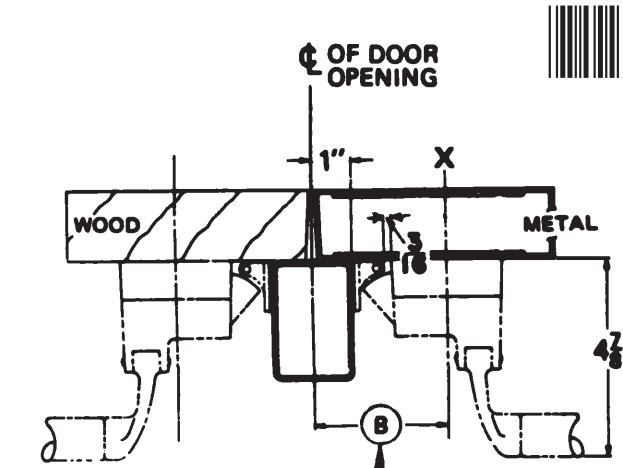


FIG. 4



DOUBLE DOOR INSTALLATION WITH VON DUPRIN MULLIONS		
MULLION & STRIKE	DIMENSION (B)	MIN. STILE
4954 x 299/299F (shown)	3-3/8	4-11/16
4954 x 264	3-1/8	4-7/16
1654 x 1606	2-15/16	4-1/4

ILLUST. 2

Customer Service

1-877-671-7011 www.allegion.com/us

DESCRIPTION

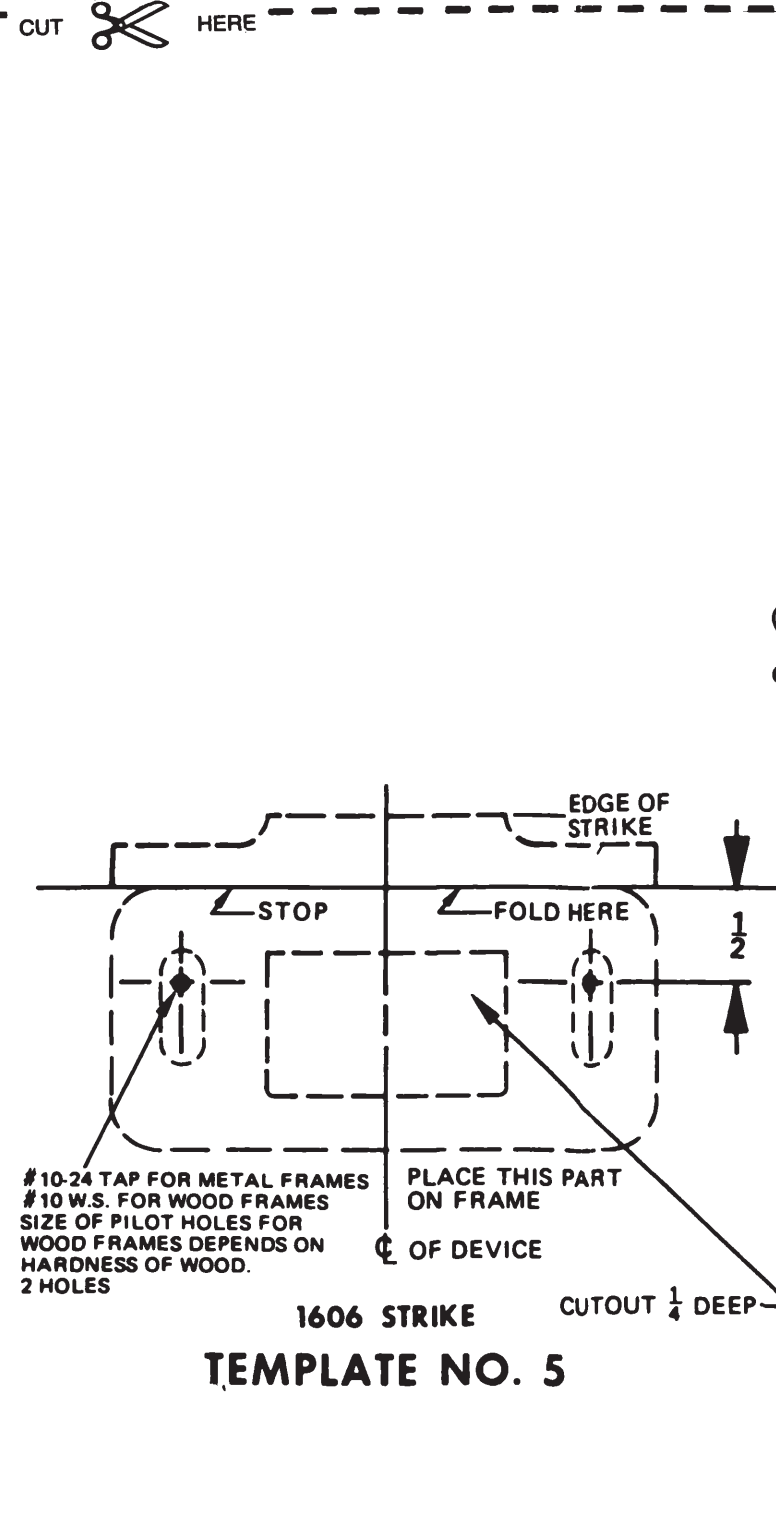
88K SERIES RIM DEVICES

VON DUPRIN

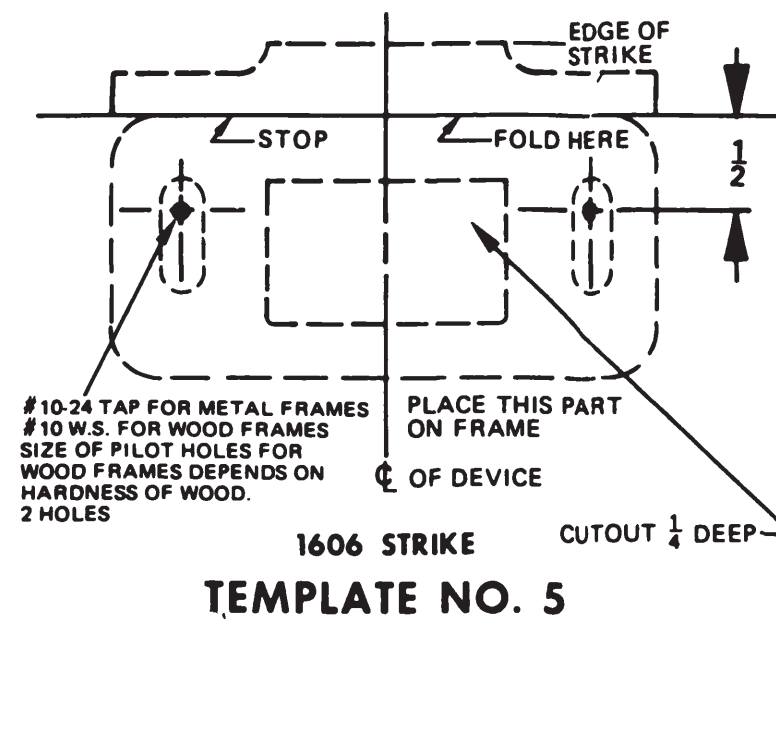
DIRECTION NUMBER 911158-00 (b) DATE 06/14

CUT HERE

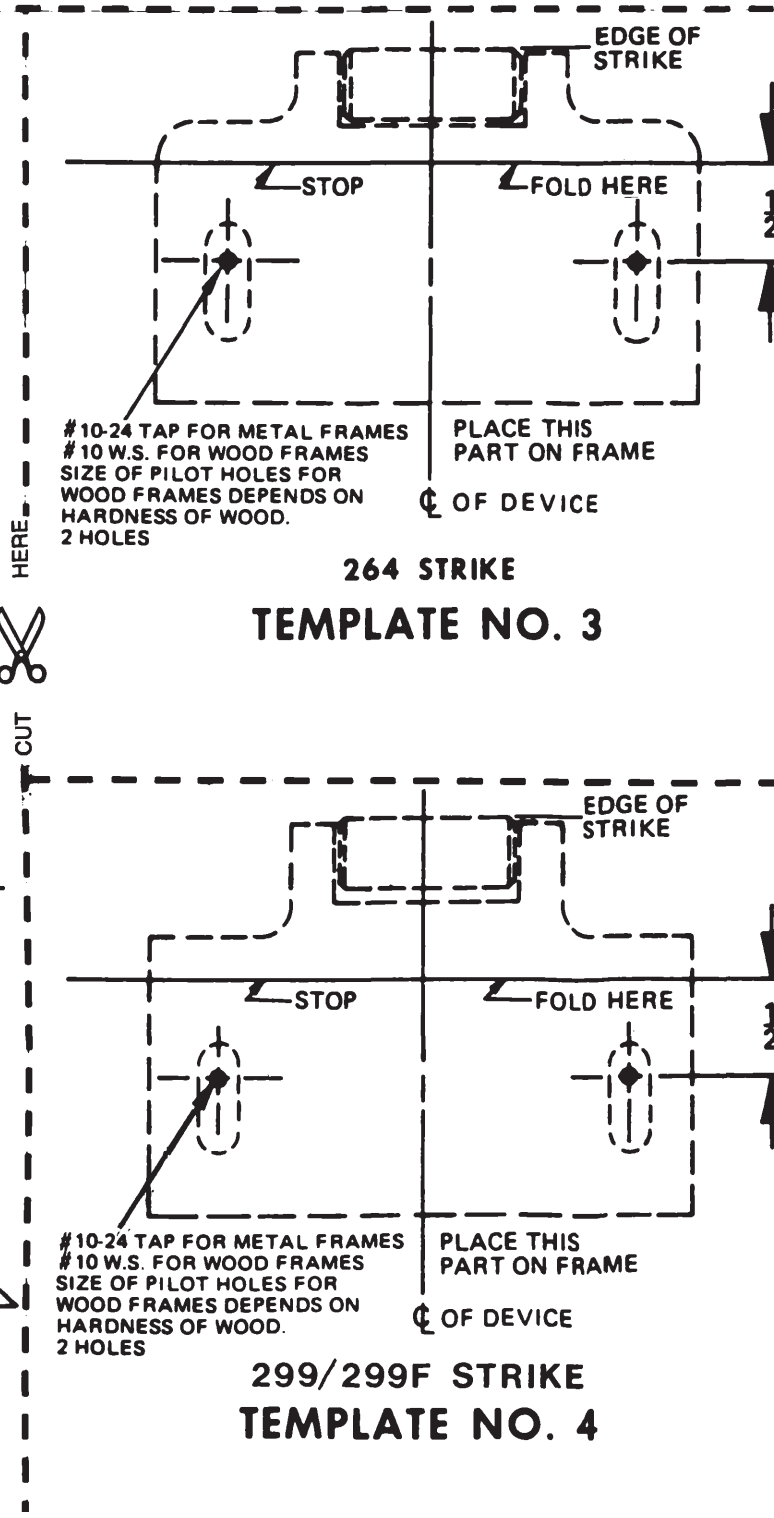
CUT HERE



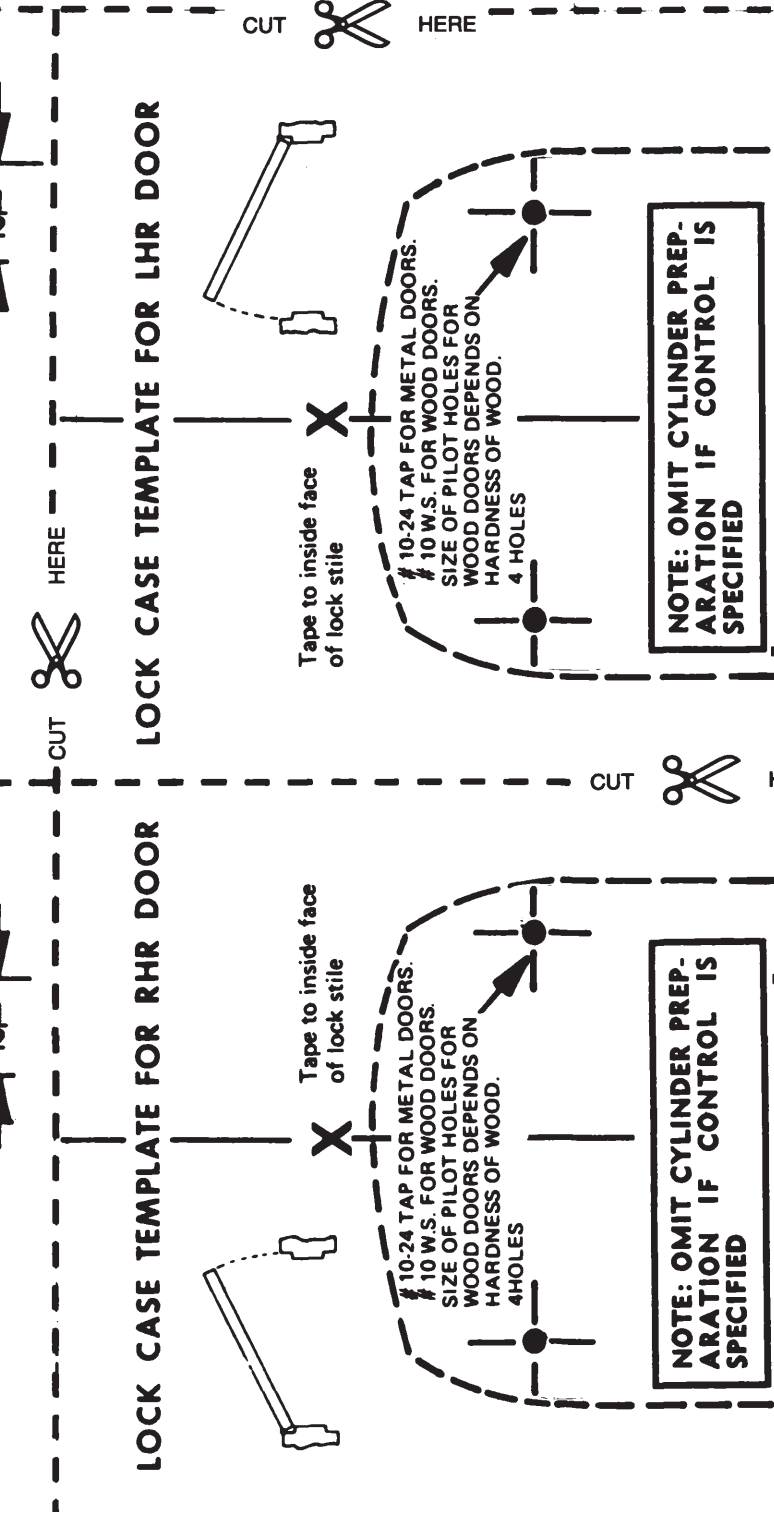
264 STRIKE
TEMPLATE NO. 3



1606 STRIKE
TEMPLATE NO. 5

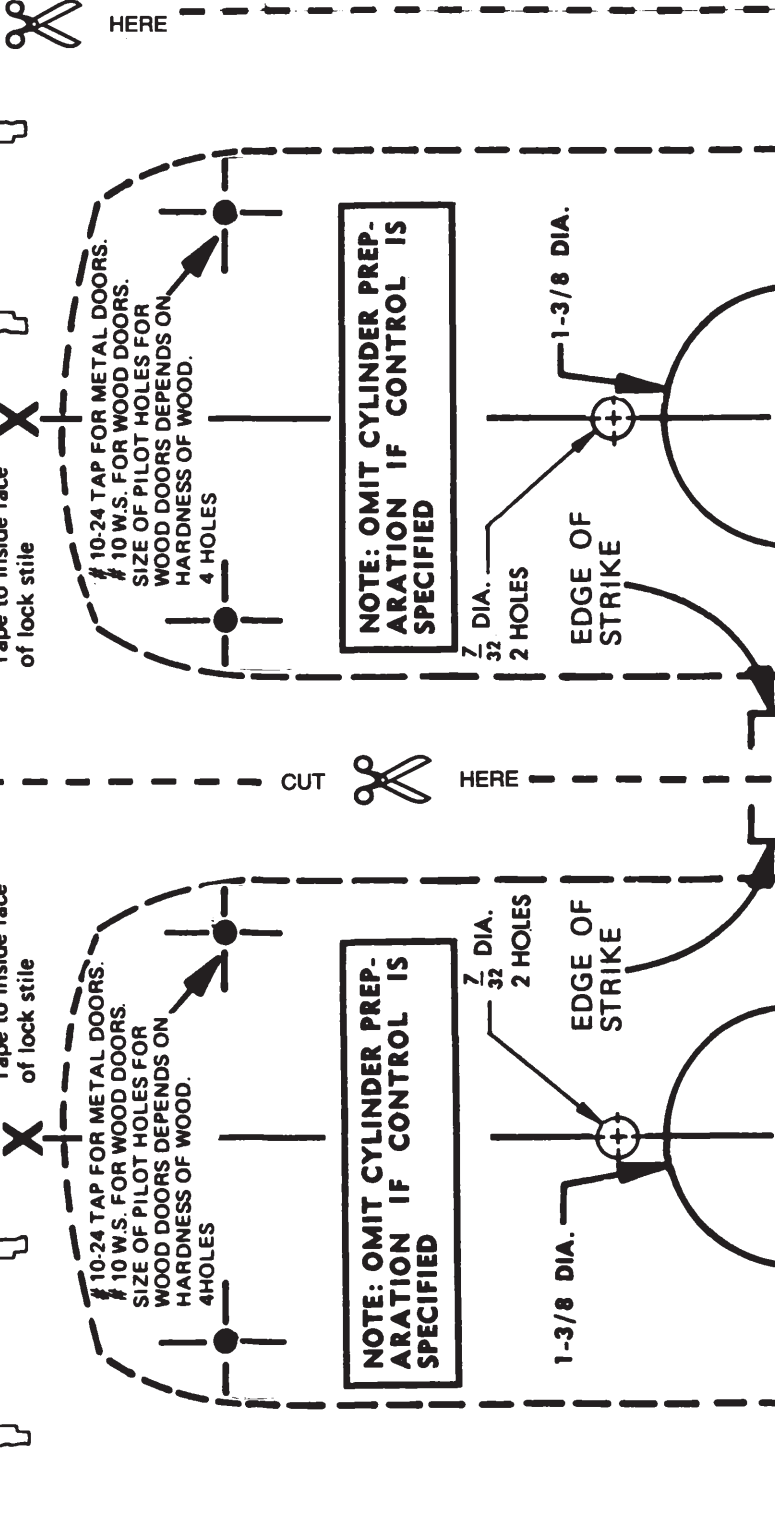


299/299F STRIKE
TEMPLATE NO. 4



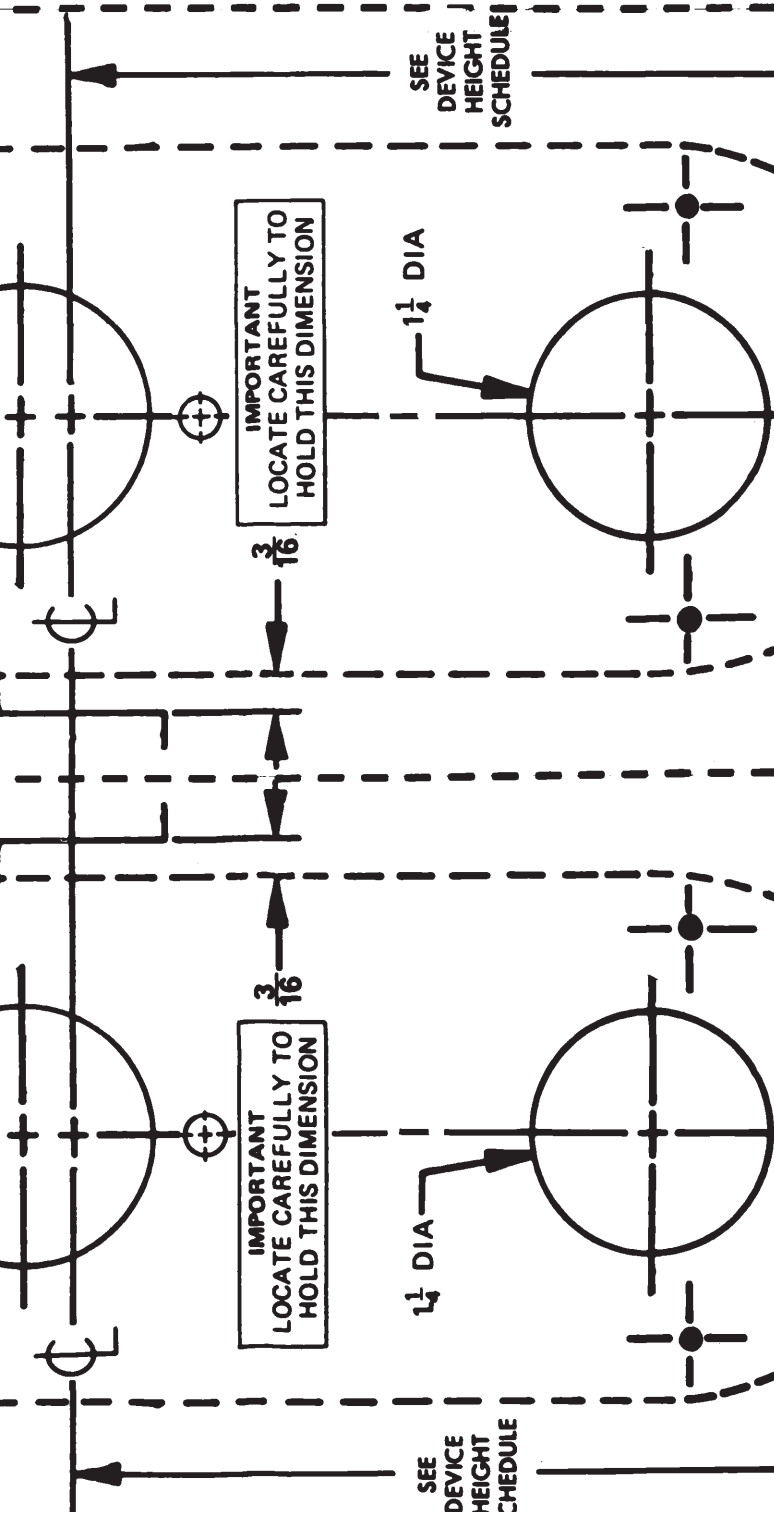
LOCK CASE TEMPLATE FOR RHR DOOR

LOCK CASE TEMPLATE FOR LHR DOOR



NOTE: OMIT CYLINDER PREPARATION IF CONTROL IS SPECIFIED

NOTE: OMIT CYLINDER PREPARATION IF CONTROL IS SPECIFIED



IMPORTANT: LOCATE CAREFULLY TO HOLD THIS DIMENSION

IMPORTANT: LOCATE CAREFULLY TO HOLD THIS DIMENSION

TEMPLATE NO. 1

TEMPLATE NO. 2



911158-00

