

INSTALLATION DIRECTIONS

FOR COMPLETE INSTALLATION INSTRUCTIONS SEE DIRECTION SHEET IN DEVICE CARTON.

LOCK STILE PREPARATION

- DETERMINE APPROPRIATE FIGURE NO'S. FOR DEVICE BEING INSTALLED.
- DETERMINE PROPER DEVICE HEIGHT AND MARK INSIDE OF DOOR FOR LOCK STILE PREPARATION.

NOTE: BE SURE CENTERLINE OF LOCK STILE CASE IS PARALLEL TO STOP AND THAT EDGE OF CASE IS 3/16" FROM EDGE OF STRIKE. STRIKE MUST BE SHIMMED OUT IF LOCK CASE IS MOUNTED MORE THAN 3/16" FROM STRIKE.

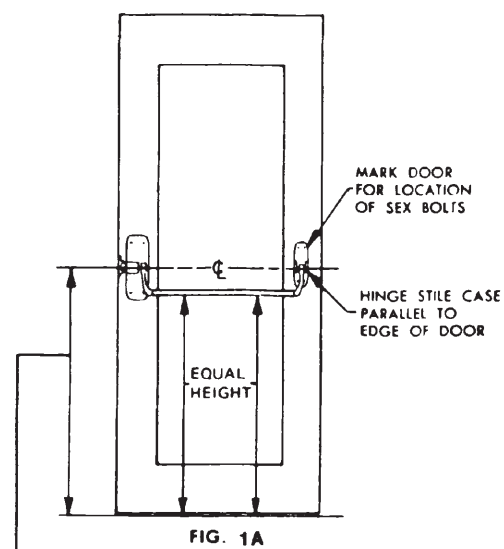
- PREPARE LOCK STILE AS SHOWN FOR TYPE 161 OR TYPE 86 STOCK HOLLOW METAL DOOR.

HINGE STILE PREPARATION

- FOLLOW HINGE STILE CASE INSTALLATION INSTRUCTIONS ON DEVICE DIRECTION SHEET IN DEVICE CARTON.
- PREPARE HINGE STILE FOR SEX BOLTS 7/32 DIA. INSIDE AND 13/32 DIA. OUTSIDE.

VERTICAL LATCH CASE PREPARATION (IF APPLICABLE)

- FOLLOW LATCH CASE INSTALLATION INSTRUCTIONS ON DEVICE DIRECTION SHEET IN DEVICE CARTON.
- PREPARE DOOR FOR VERTICAL LATCH CASES (SEE FIG. 8).



SINGLE DOOR OPENING
40-5/16" TO FINISHED FLOOR

THRESHOLD NO.	TO FIN. FLOOR
350 or 360	40-5/16"
355 or 365	40-7/16"
390	40-9/16"
ALL OTHER THRESHOLDS	40-5/16"
NO THRESHOLD (FLAT SILL)	40-5/16"

DEVICE HEIGHT FOR RIM DEVICES (FIG. 2, 3 & 4.)

FIG. 1

VON DUPRIN CUTOUTS ARE LOCATED FROM A.N.S.I. CUTOUTS. SEE A.N.S.I. SPECIFICATIONS NO. A115 FOR THE SIZE AND LOCATION OF THESE CUTOUTS.

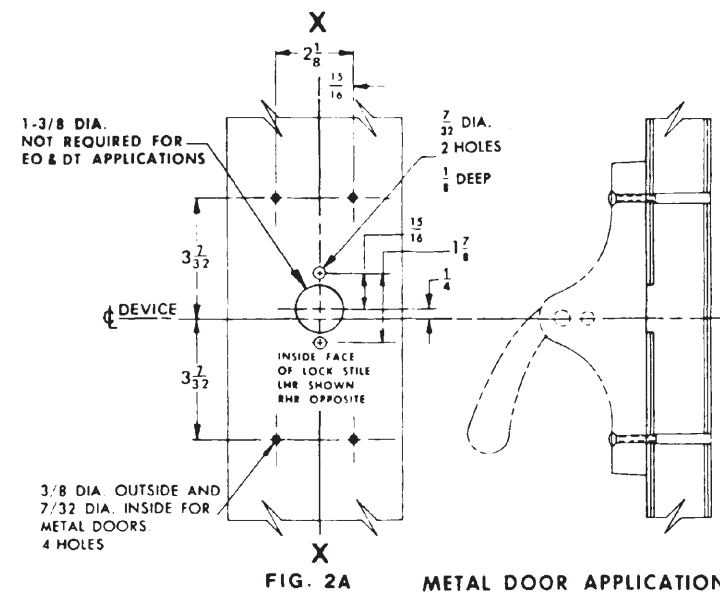


FIG. 2A METAL DOOR APPLICATION

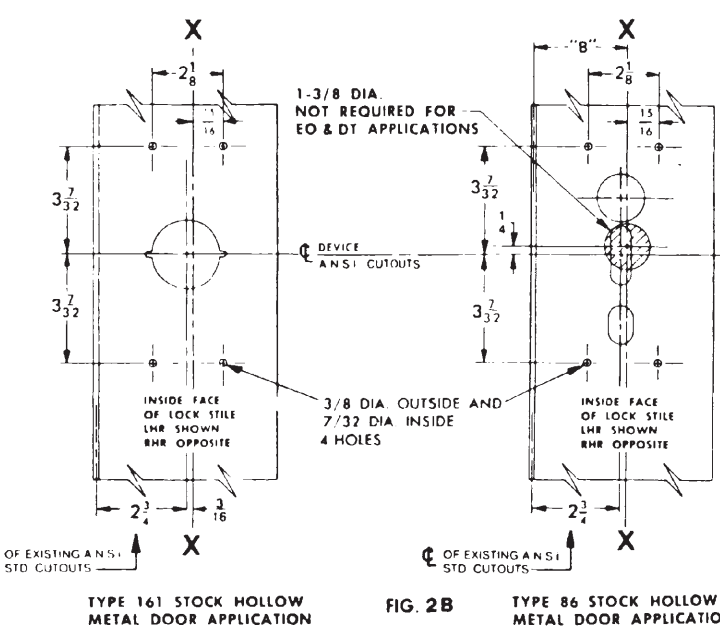


FIG. 2B METAL DOOR APPLICATION

FIG. 2

DESCRIPTION

88 RIM, 88 MORTISE & 88 SURFACE VERTICAL SERIES DEVICES WITH 880 & 780 TRIM FOR STOCK HOLLOW METAL APPLICATION.

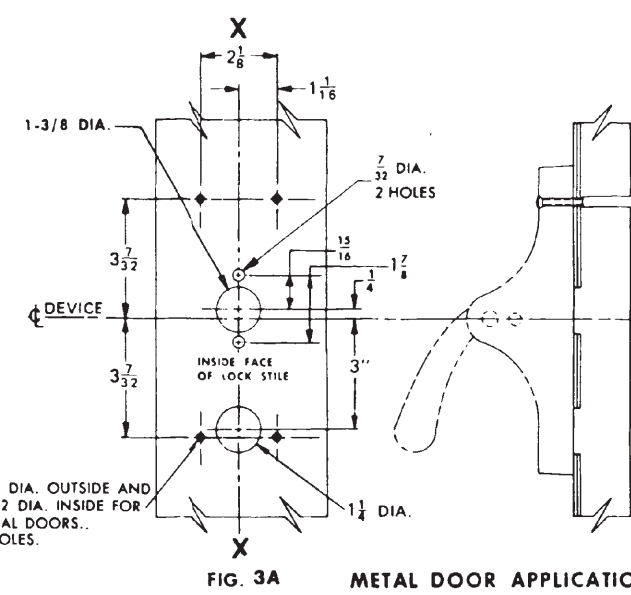


FIG. 3A METAL DOOR APPLICATION

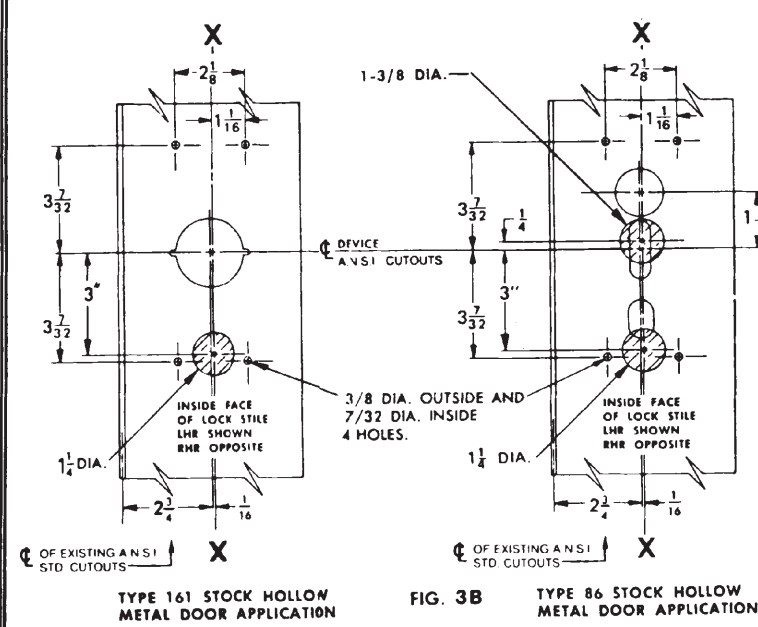


FIG. 3B METAL DOOR APPLICATION

FIG. 3



Customer Service
1-877-671-7011
www.allegion.com/us

© Allegion 2014
Printed in U.S.A.

DIRECTION NUMBER
911317-00 (b)

DATE
Rev. 01/14/2014



911317-00

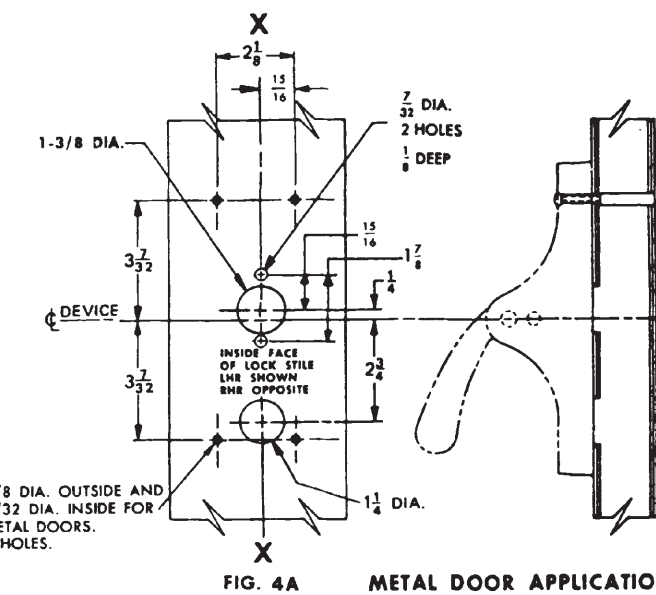


FIG. 4A METAL DOOR APPLICATION

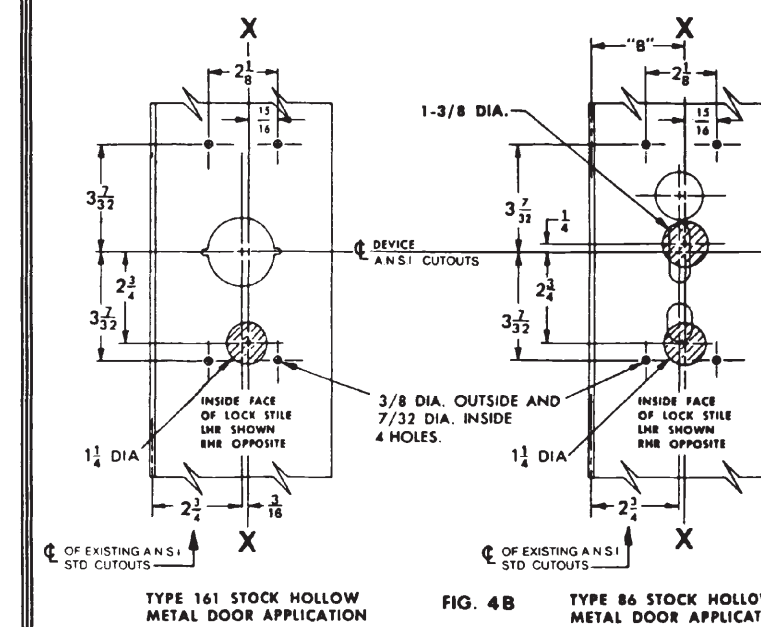


FIG. 4B METAL DOOR APPLICATION

FIG. 4

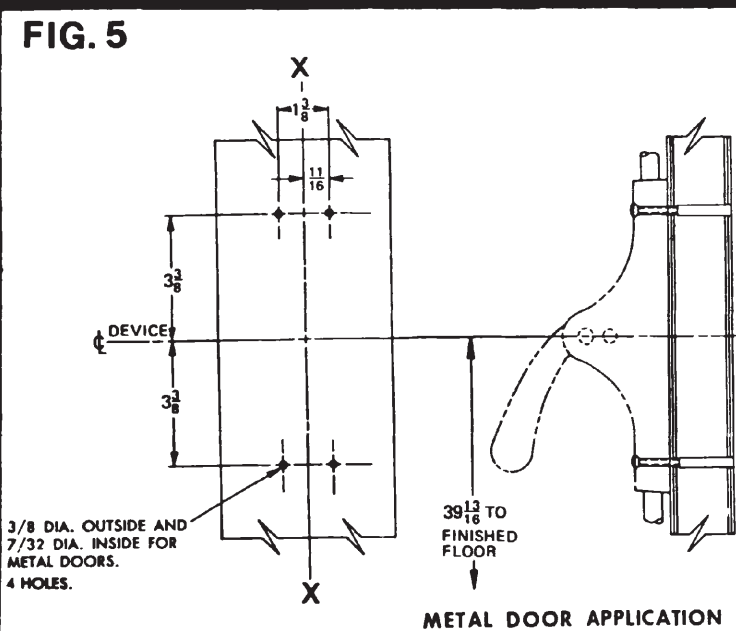


FIG. 5A

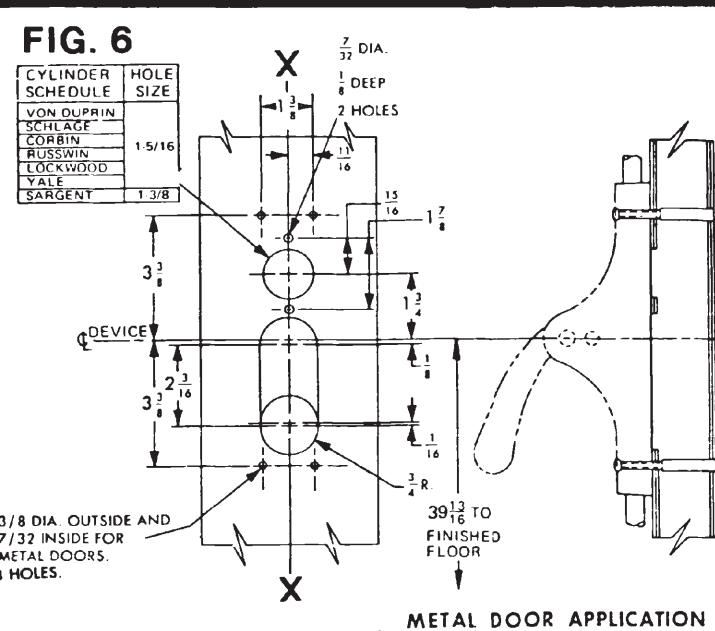


FIG. 6A METAL DOOR APPLICATION

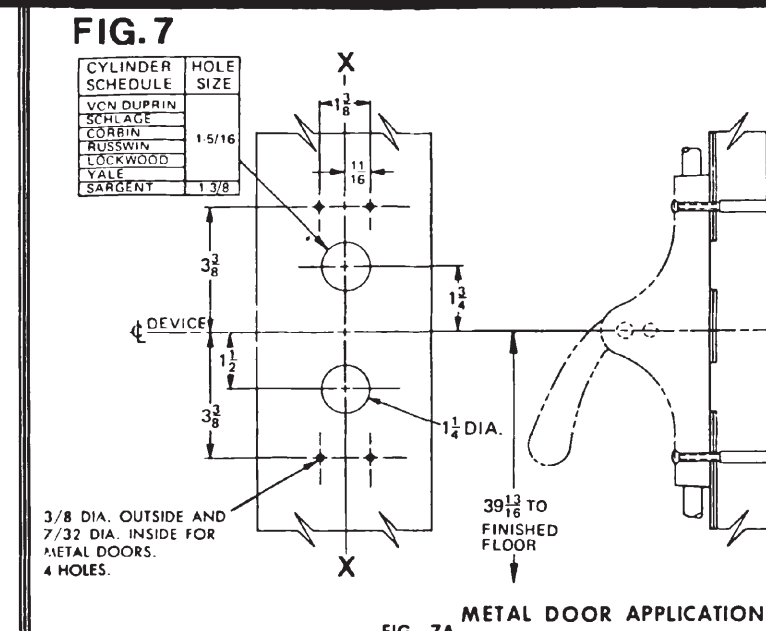


FIG. 7A METAL DOOR APPLICATION

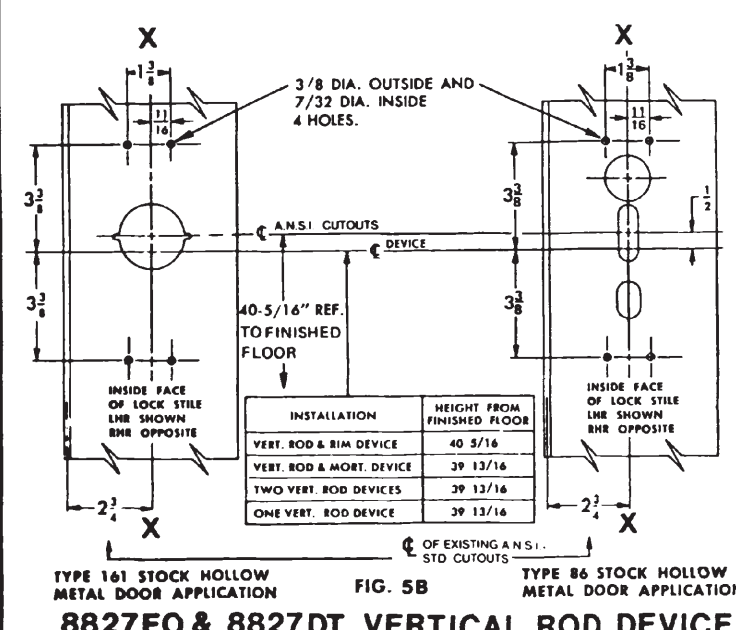


FIG. 5B METAL DOOR APPLICATION

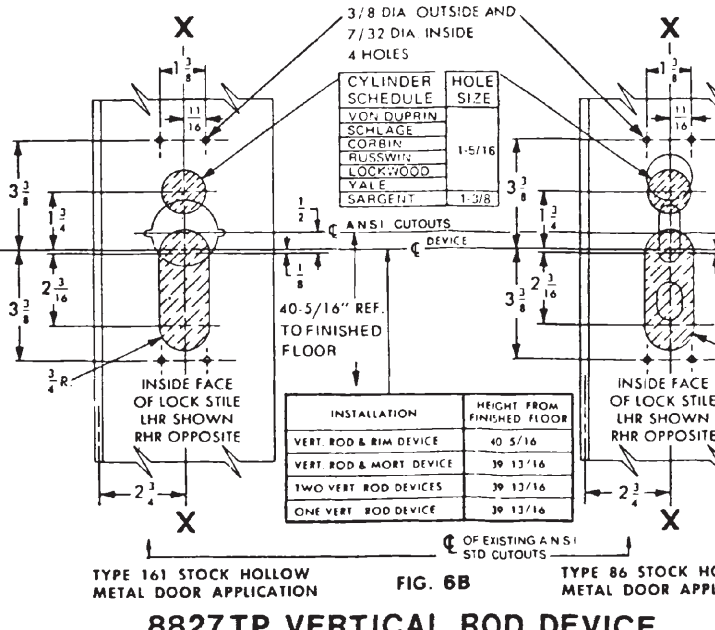


FIG. 6B METAL DOOR APPLICATION

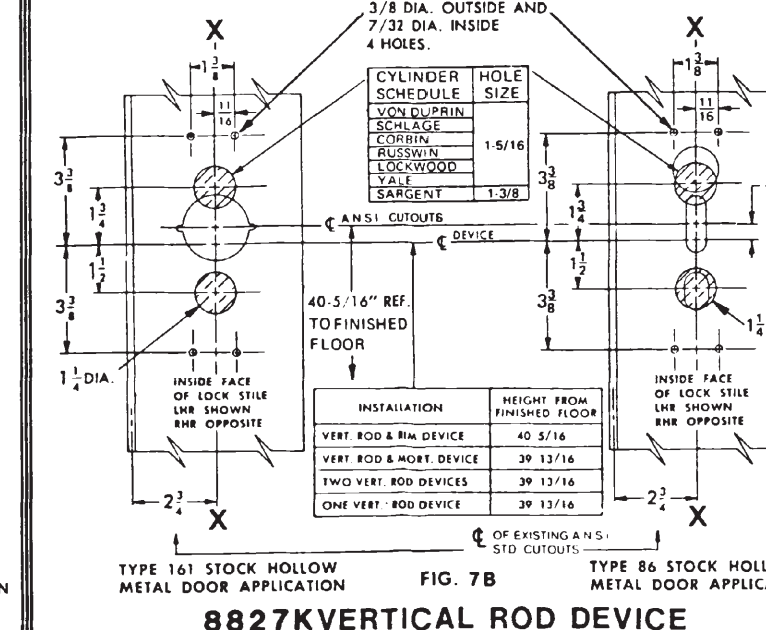


FIG. 7B METAL DOOR APPLICATION

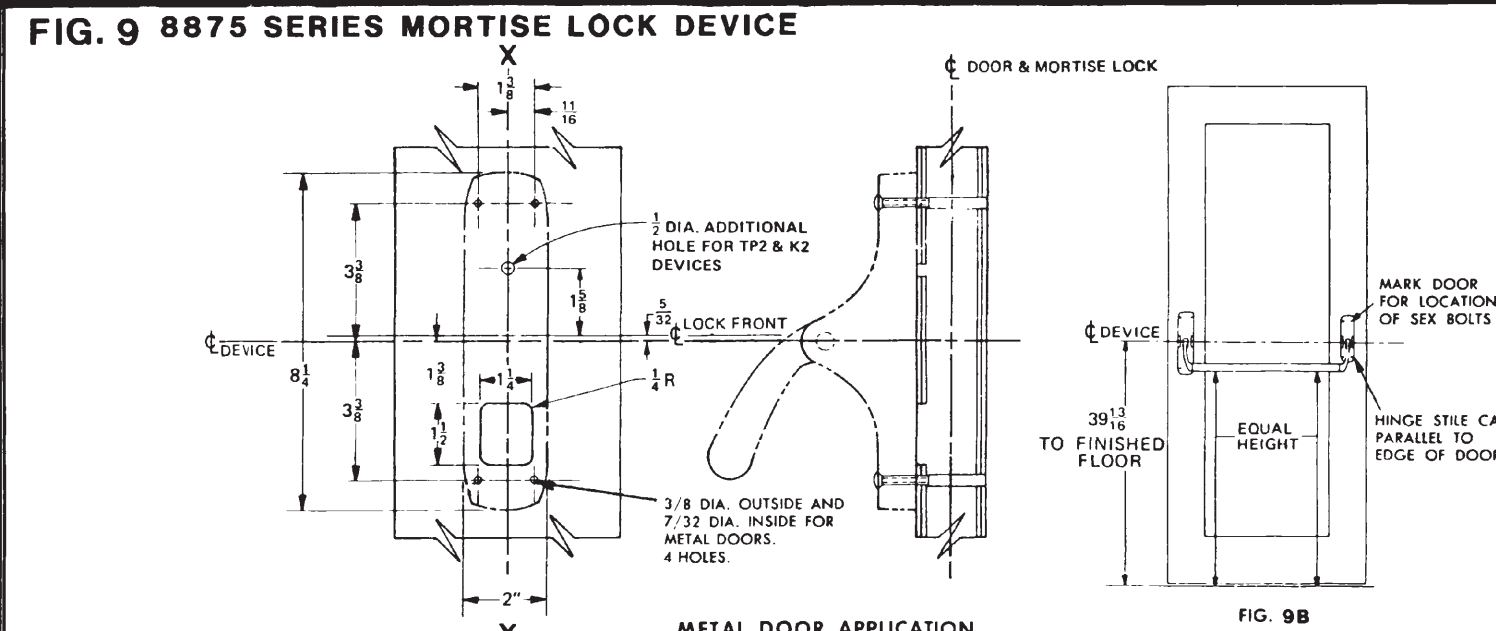


FIG. 9A

FIG. 9B

FIG. 8 VERTICAL LATCH CASE PREPARATION

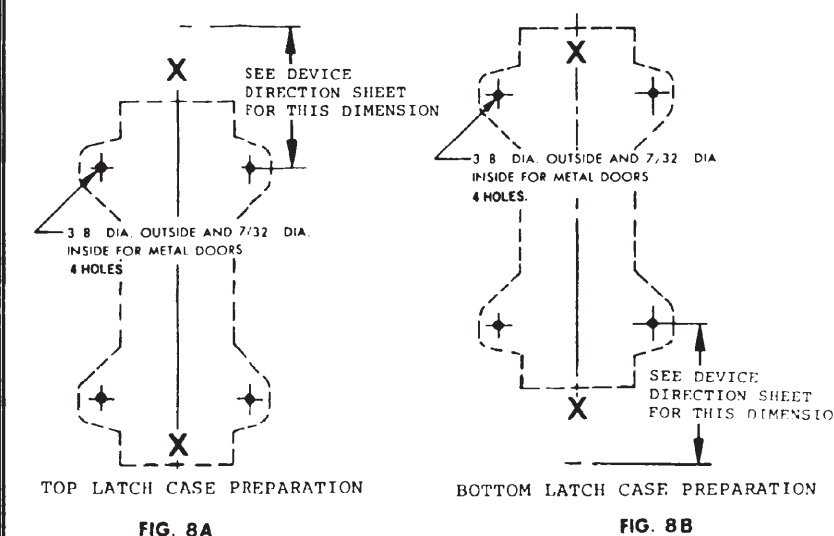


FIG. 8A

FIG. 8B

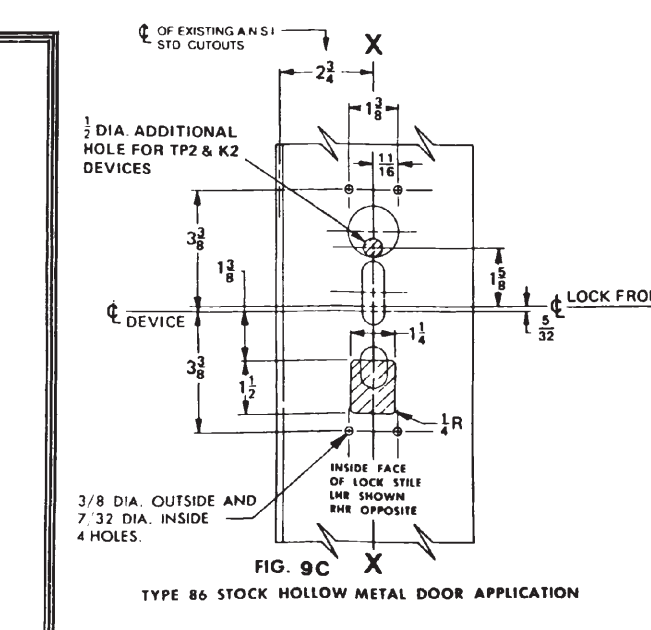


FIG. 9C METAL DOOR APPLICATION