



941291-00

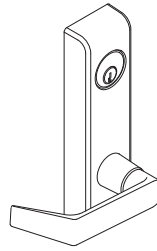
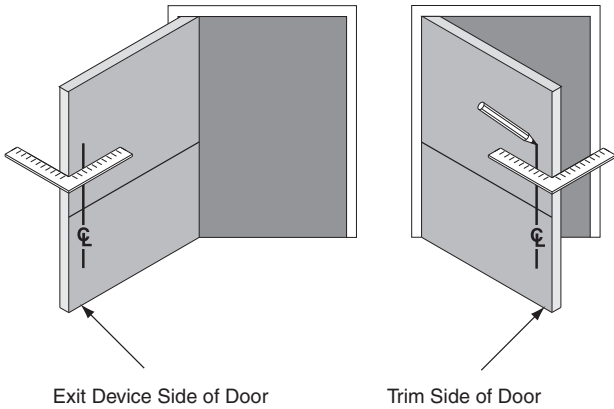
940

VON DUPRIN®

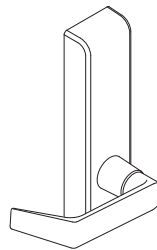
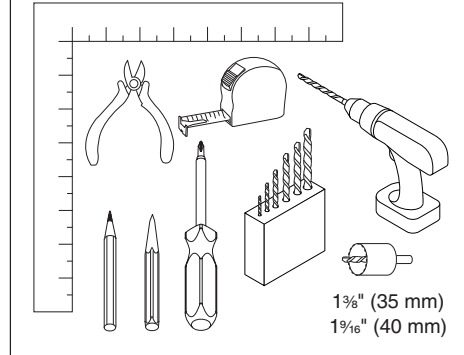
Trim for 94/95 Series Exit Device

Installation Instructions

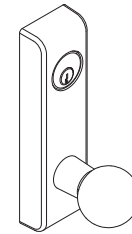
1 Transfer \mathcal{C} from device side to trim side of door



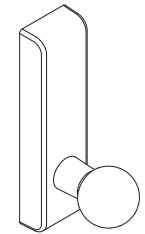
940L
940L-NL



940L-DT
940L-BE



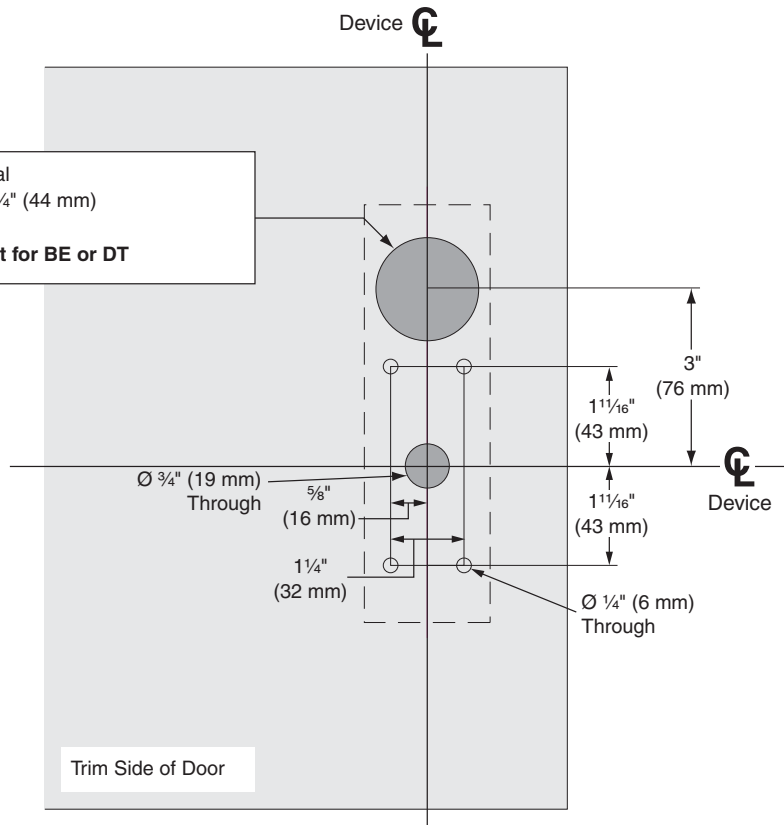
940K
940K-NL



940K-BE

2 Prepare Door

Optional prep (V only) to allow installation of key cylinder without cylinder collar.
Metal
 $\text{\O} 1\frac{1}{4}$ " (44 mm)
Omit for BE or DT



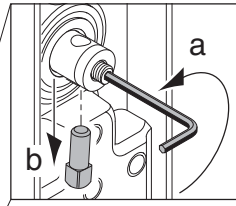
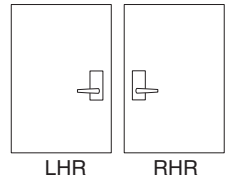
Customer Service
1-877-671-7011 www.allegion.com/us

© Allegion 2014
Printed in U.S.A.
941291-00 Rev. 10/14-h

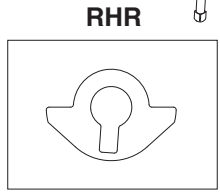
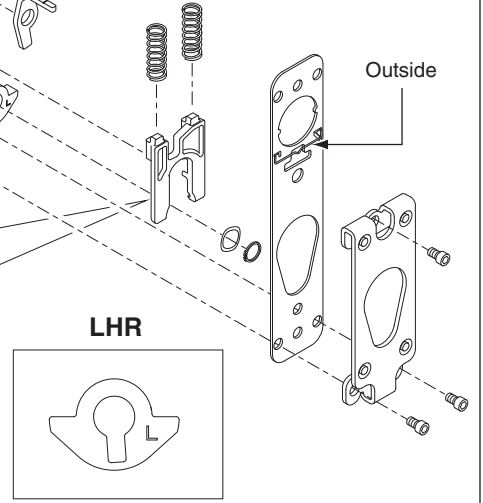
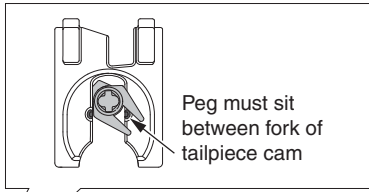
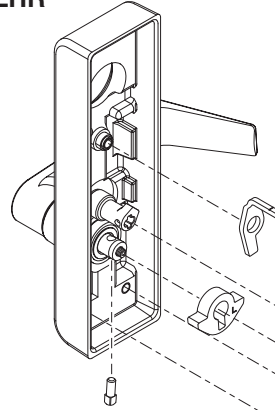
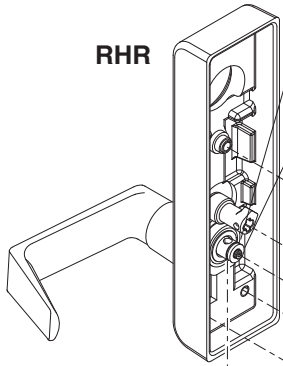
3

If Necessary, Rehand Trim

LHR

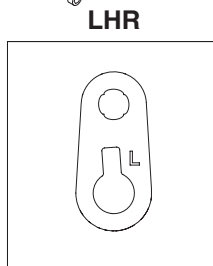
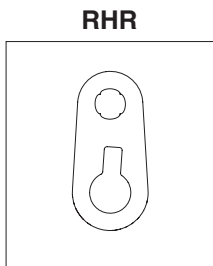
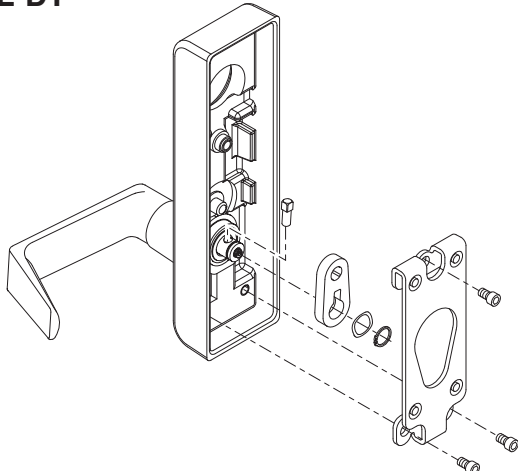


Loosen set screw

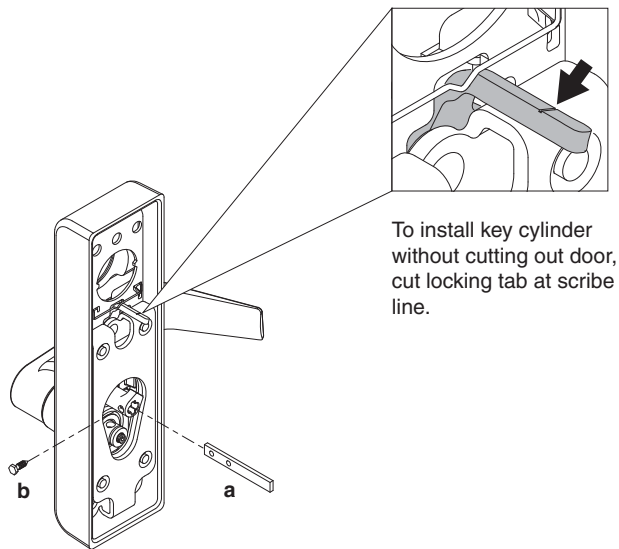


940L (shown)
940L-BE
940L-NL

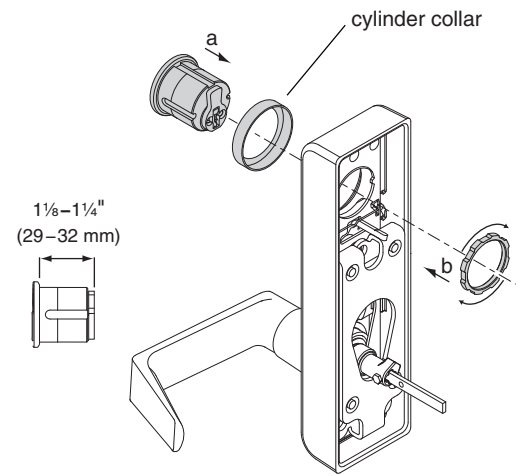
940L-DT



4 If Necessary, Install Tailpiece

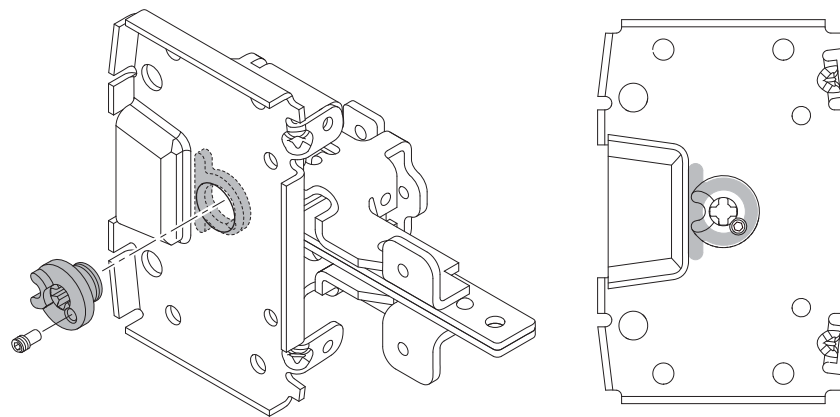


5 If Necessary, Install Cylinder

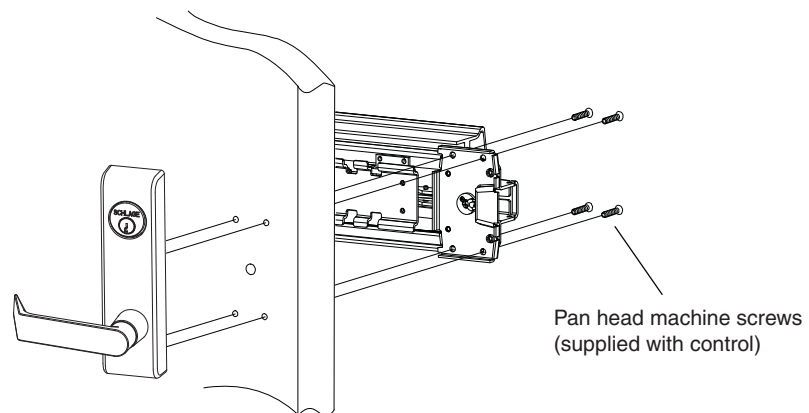


6 Set Handing

Confirm exit device is in the neutral configuration (shown below).



7 Return to Device Instructions



**Return to
Device Instructions**

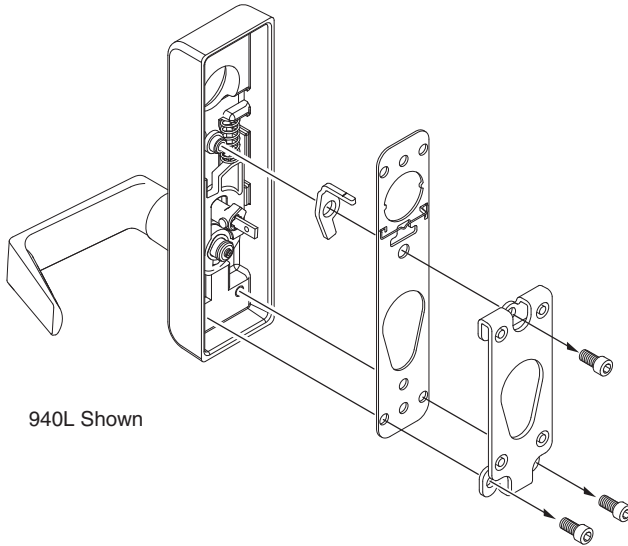
NL CONVERSION



An NL Spring was included for optional field conversion to NL function.

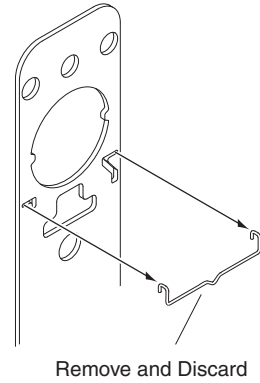
940L → 940L-NL
940K → 940K-NL

1 Remove Back Plate and Locking Plate



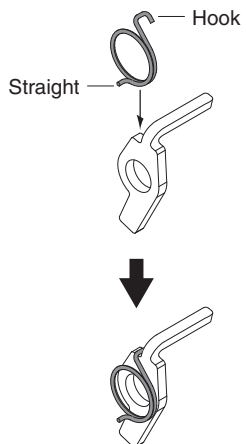
940L Shown

2 Remove Locking Spring

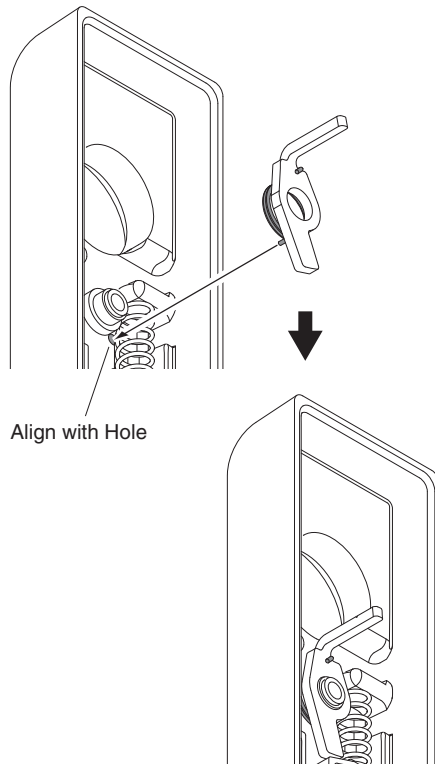


Remove and Discard

3 Attach NL Spring to Locking Plate



4 Reinstall Locking Plate



Align with Hole

5 Reinstall Back Plate

