



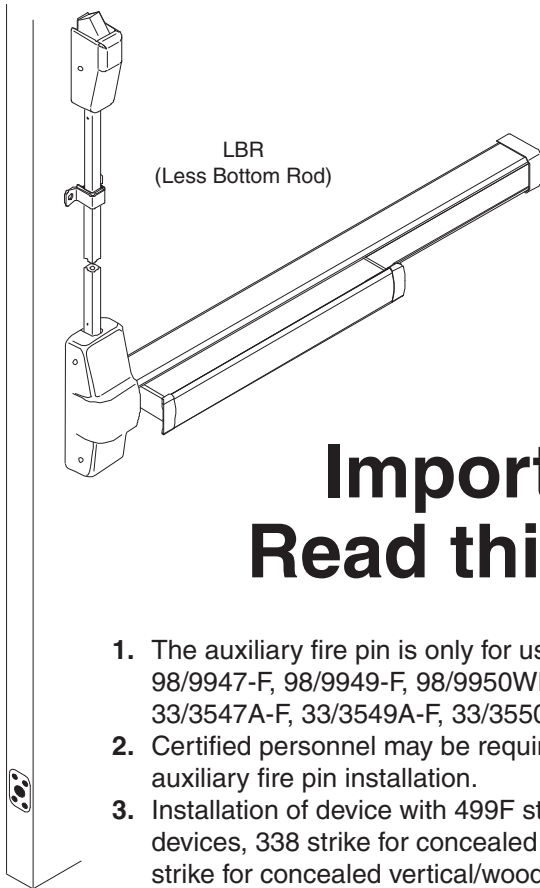
911009-00

For LBR/LBL Devices

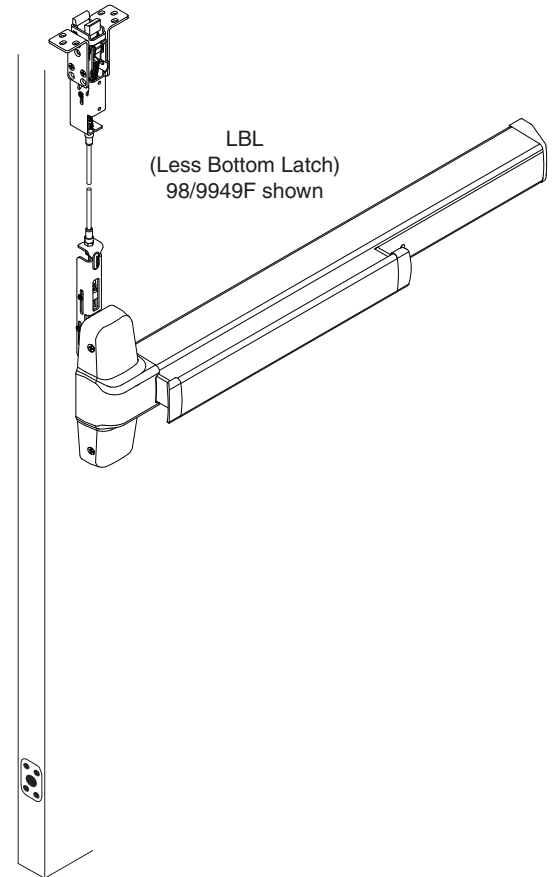
Auxiliary Fire Pin

VON DUPRIN®

Installation Instructions



LBR
(Less Bottom Rod)



LBL
(Less Bottom Latch)
98/9949F shown

Important: Read this first!

1. The auxiliary fire pin is only for use with Von Duprin 98/9927-F, 98/9947-F, 98/9949-F, 98/9950WDC-F, 33/3547-F, 33/3527A-F, 33/3547A-F, 33/3549A-F, 33/3550AWDC-F, and 2227-F devices.
2. Certified personnel may be required to perform field prep for the auxiliary fire pin installation.
3. Installation of device with 499F strike for surface vertical rod devices, 338 strike for concealed vertical rod devices, and 249 strike for concealed vertical/wood door concealed vertical cable devices is required to maintain fire listing. **For 499F installation, see page 3 of these instructions.**
4. Follow device installation instructions omitting the bottom rod or cable, bottom rod guide (where applicable), bottom latch, and bottom strike.
5. Install auxiliary fire pin assembly per template on page 2.



NOTE

One (1) auxiliary fire pin assembly is supplied with two LBR/LBL devices. It does not matter which door leaf the auxiliary fire pin is installed on. However, the pin must be installed to maintain the fire listing. The purpose of the auxiliary fire pin assembly is to keep the doors in alignment during a fire. In a fire, the bolt extends from the auxiliary fire pin into the strike hole in the opposite door leaf. The black cap visible on the face of the auxiliary fire pin and the strike hole plug must melt in order for the bolt to extend. If an Edge Guard is used, make sure it is modified to allow clearance for the Fire Pin and Plastic Cap to be mounted to the door edge after the Edge Guard is installed. See Edge Guard Preparation on page 4 for more information.



Customer Service

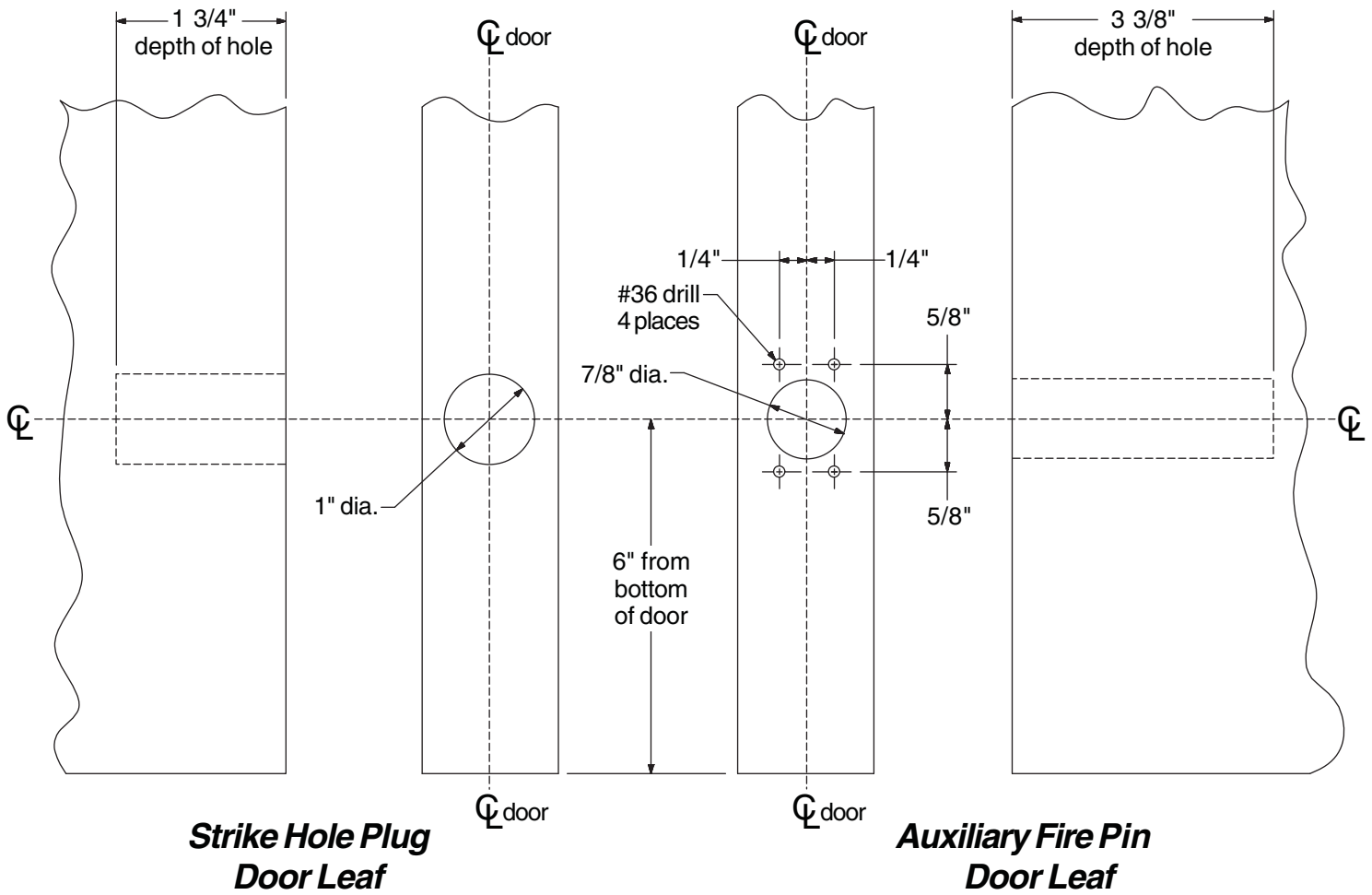
1-877-671-7011

www.allegion.com/us

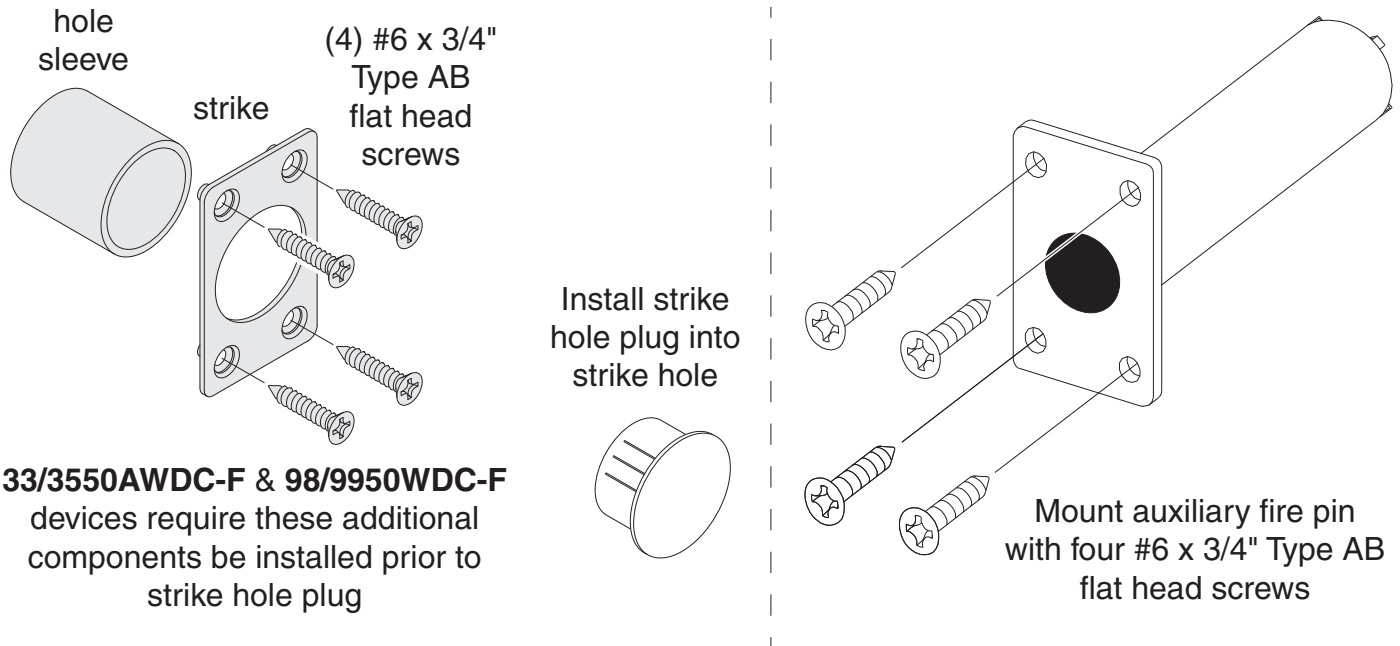
© Allegion 2015
Printed in U.S.A.
911009-00 Rev. 06/15-g

INSTALLATION

1 Prepare auxiliary fire pin mounting hole, screw holes, and strike hole in door.



2 Install strike hole plug and auxiliary fire pin.



3 Install 499F strike.

NOTE
 Install the 499F strike for 98/9927-F LBR and 33/3527A-F LBR devices only. For concealed vertical LBR and LBL devices, follow device instructions for strike installation.

- 3.1. Prepare the door and frame for the top latch and strike per 299F template in device instructions.
- 3.2. Adjust 499F strike to position shown in Figure 3-1.
- 3.3. Install remaining three screws (see Figure 3-2).
- 3.4. Prepare door for strike hook (see Figure 3-3) and install strike hook. Figure 3-4 shows relative positions of strike, strike hook, and top latch.

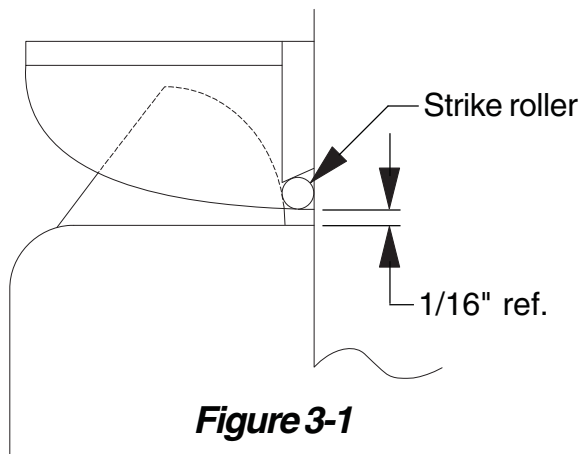


Figure 3-1

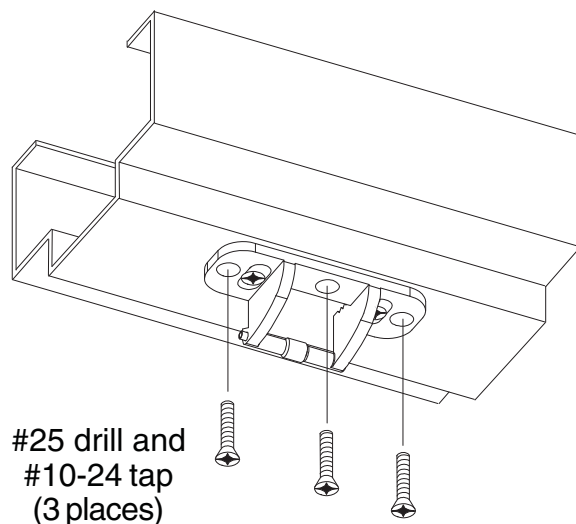


Figure 3-2

Hole Schedule	
Metal door:	#7 drill and #1/4"-20 tap
Wood door:	13/32" dia. drill thru

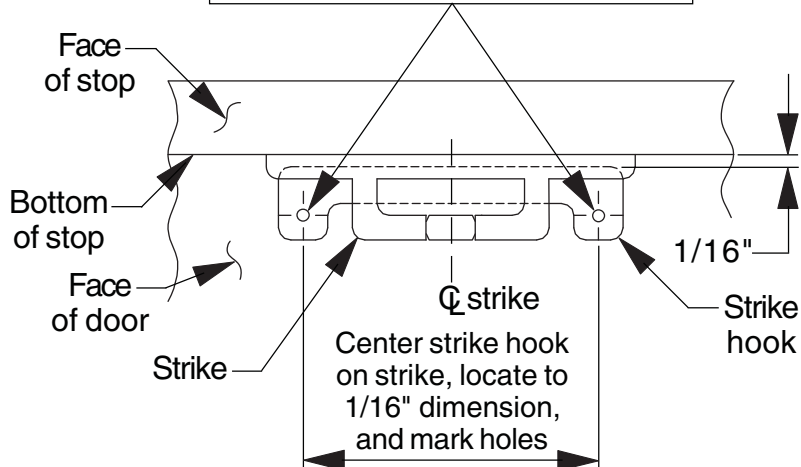


Figure 3-3

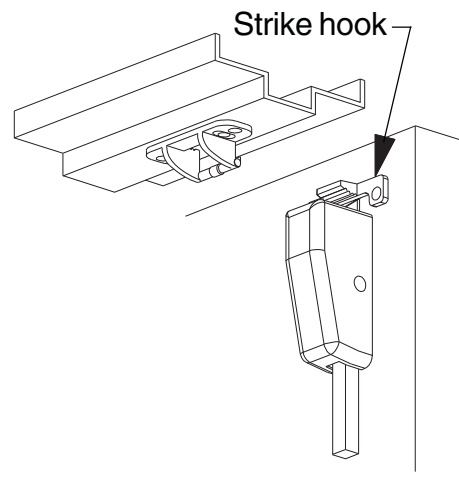


Figure 3-4

EDGE GUARD PREPARATION

If using Edge Guards, clearance holes must be cut into Edge Guards before they are installed on door as shown in Figure 4-1.

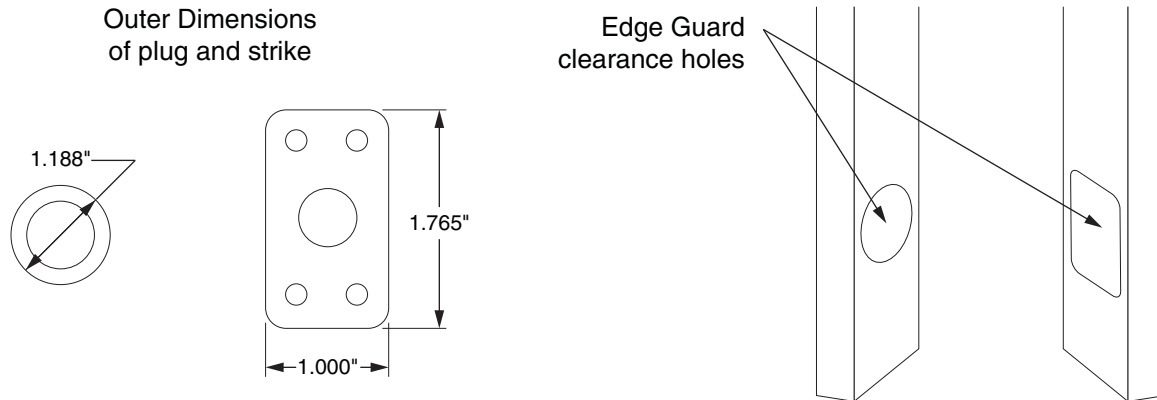


Figure 4-1

Edge guard near exit device center case can extend no further than .0625" from edge of door, as shown in Figure 4-2, or interference with device center case could occur. If Edge Guard is wider than specified, it may need to be trimmed in that area to clear center case.

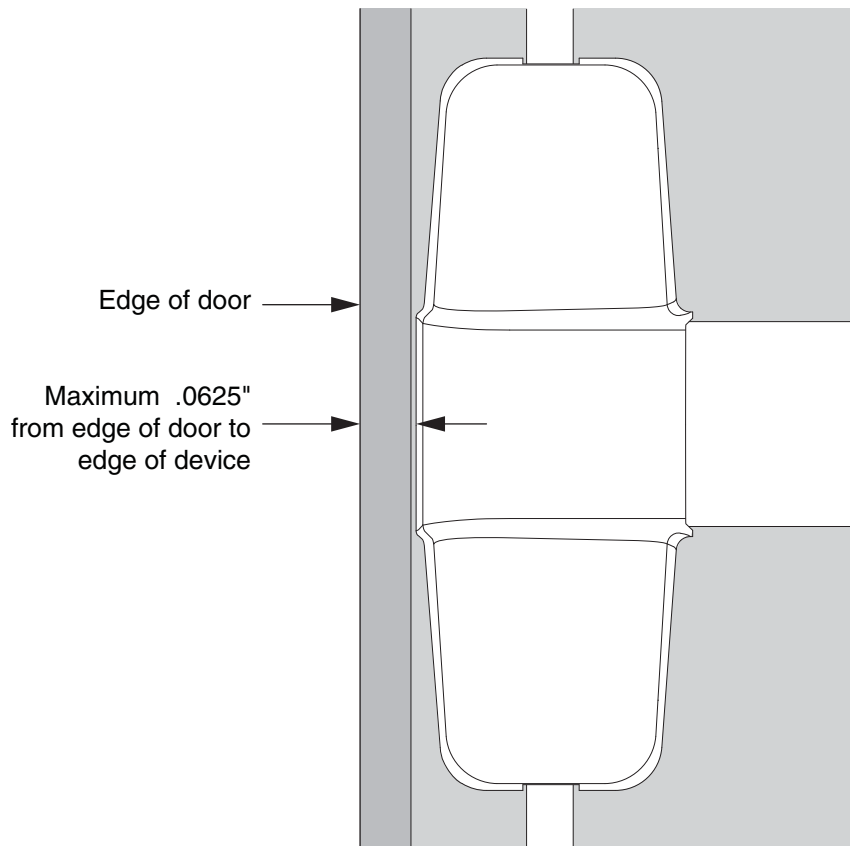


Figure 4-2