



941072-00

# EPT2 & EPT10


# VON DUPRIN®

Filler Kit

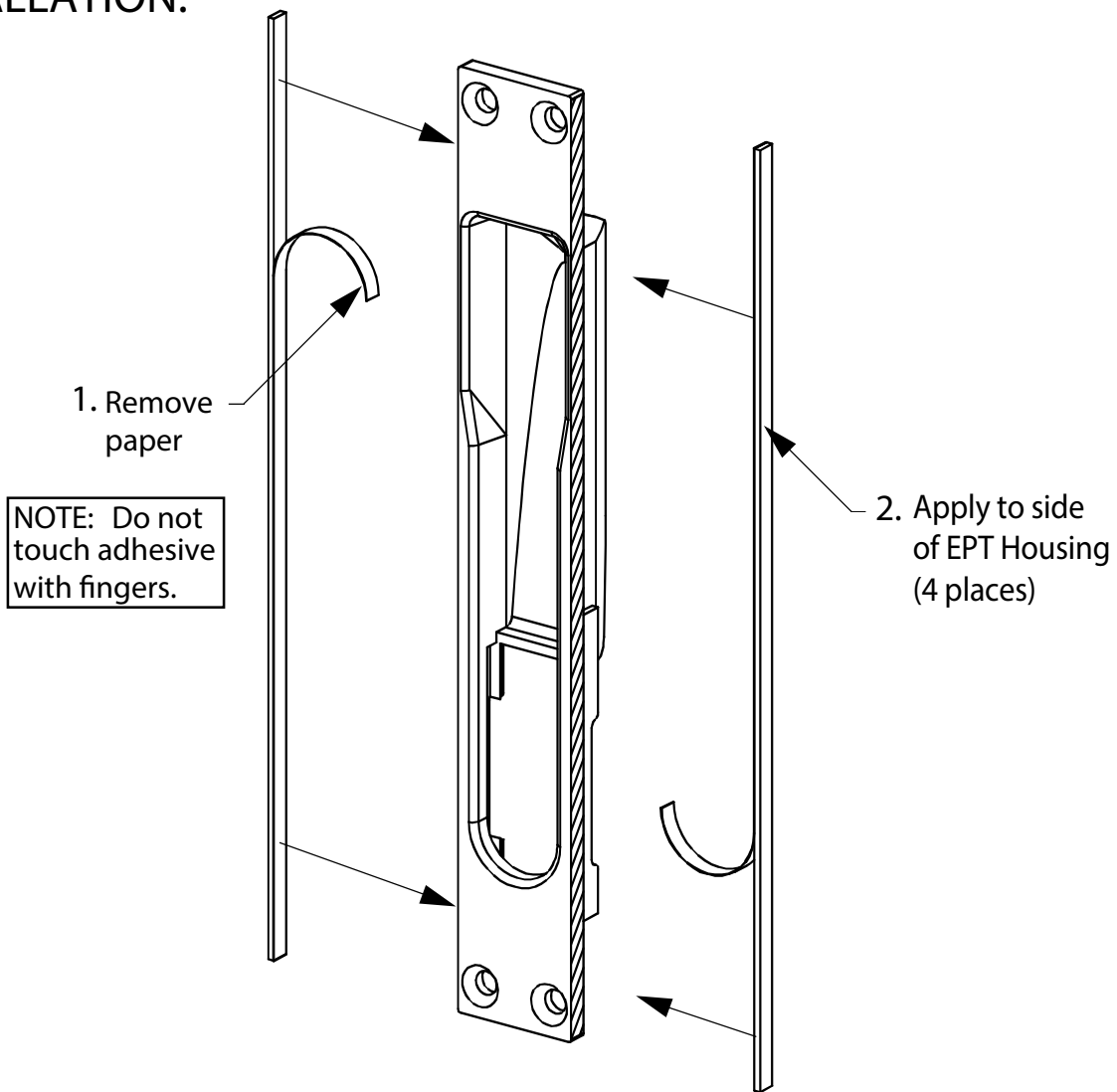
Installation Instructions

This kit fills the gap created on both sides of the EPT2 or EPT10 when installed in a prep created for an EPT218 or EPT1024.

## PARTS LIST:

Adhesive backed plastic strip  (4)

## INSTALLATION:



**Customer Service**

1-877-671-7011    [www.allegion.com/us](http://www.allegion.com/us)