

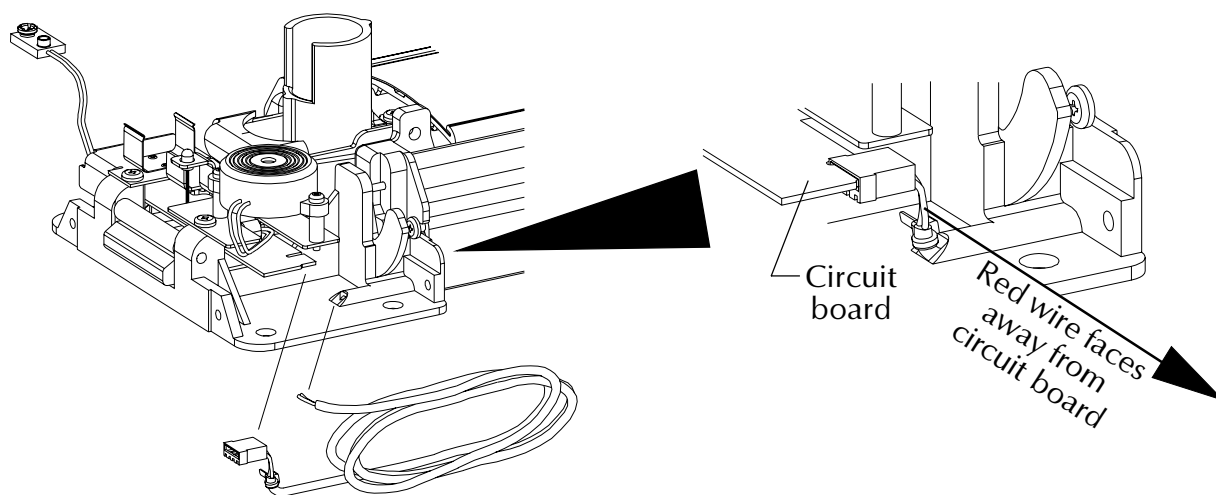
VON DUPRIN®

Installation Instructions

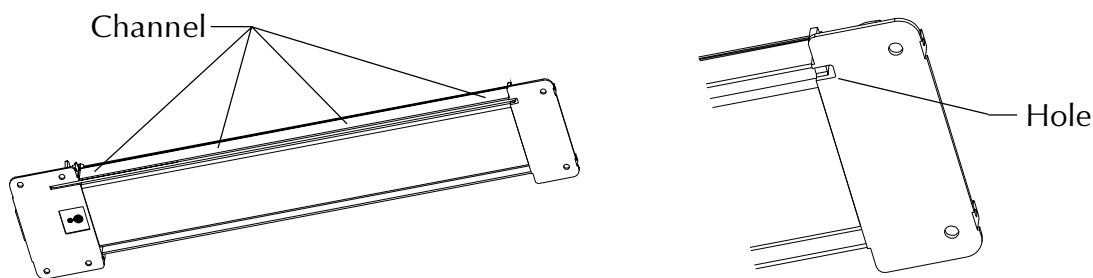
GUARD-X™ Exit Alarm Lock PT790 Plug-in Transformer Option

After completing Step 5 of the GUARD-X installation instructions:

- A. Feed the pigtail end of the PT790 cable through the hole in the center case and attach the cable connector to the circuit board.



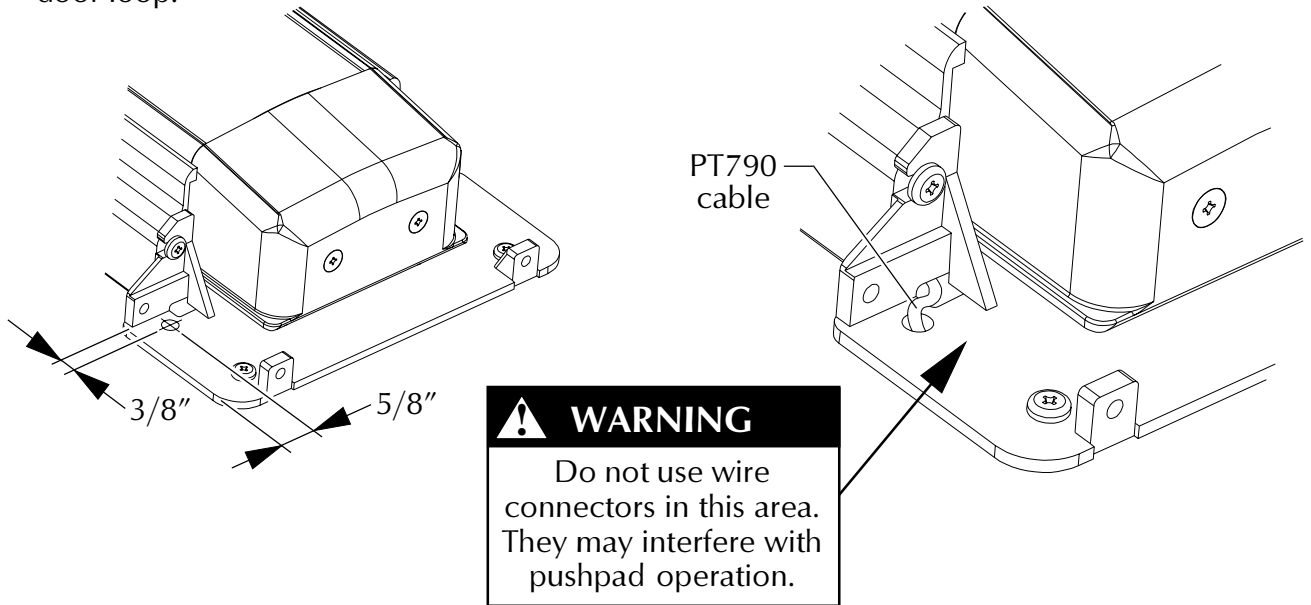
- B. Place the cable in the channel on the underside of the device and run the pigtail end through the hole in the hinge side mounting plate.



- C. Continue with Step 6 of the GUARD-X installation instructions. **Make sure that the PT790 cable stays in the channel when mounting device on door.**

After completing Step 8 of the GUARD-X installation instructions:

- A. Prepare the door for a door loop (recommended).
- B. Drill a 1/4" diameter hole through the hinge side mounting plate and through the inside face of the door where shown. Run the loose end of the PT790 cable into the hole and through the door loop.



- C. Connect PT790 cable wires to PT790 transformer leads using crimp connectors or wire nuts:

<u>PT790 Cable Wires</u>	<u>PT790 Transformer Leads</u>
Red wire	connects to Wire with red tubing (smooth insulation)
Black wire	connects to Unmarked wire (ribbed insulation)

- D. Secure the door loop to the door and frame.
- E. Continue with Step 9 of the GUARD-X installation instructions.

After completing Step 13 of the GUARD-X installation instructions:

- A. Install cylinder bracket and cylinder (see Step 14).
- B. Plug in PT790 transformer and test device (see "Testing" on back of "Parts List").
- C. Install 9 volt battery and attach battery clip (see Step 14).
- D. Continue with Step 15 of the GUARD-X installation instructions.

⚠ NOTE

Install the 9 volt battery when using the PT790 option. This will allow the GUARD-X to continue functioning if AC power is lost.

⚠ WARNING

Pinch points. Can cause injury when pushpad is pressed with center case cover removed. Keep clear.

