

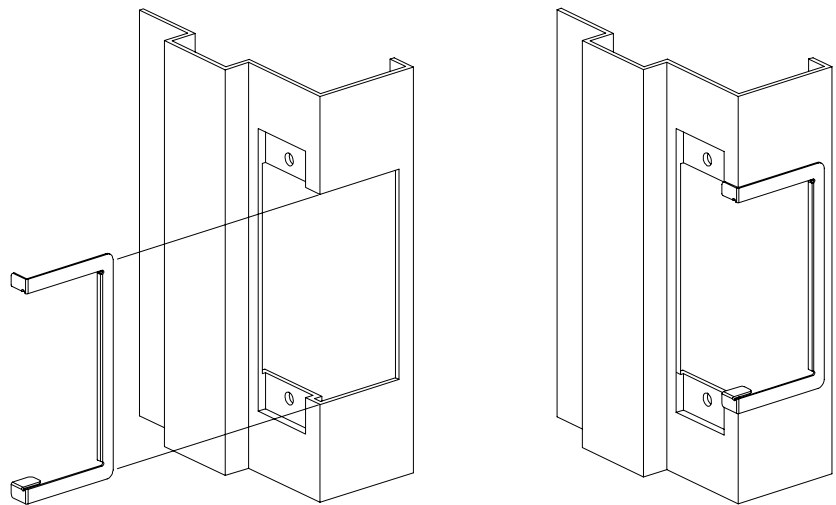
VON DUPRIN®

Installation Instructions

Retrofit Filler Plate Von Duprin 6210/6211 Series Strikes to Locknetics 9100 Strike Preparation

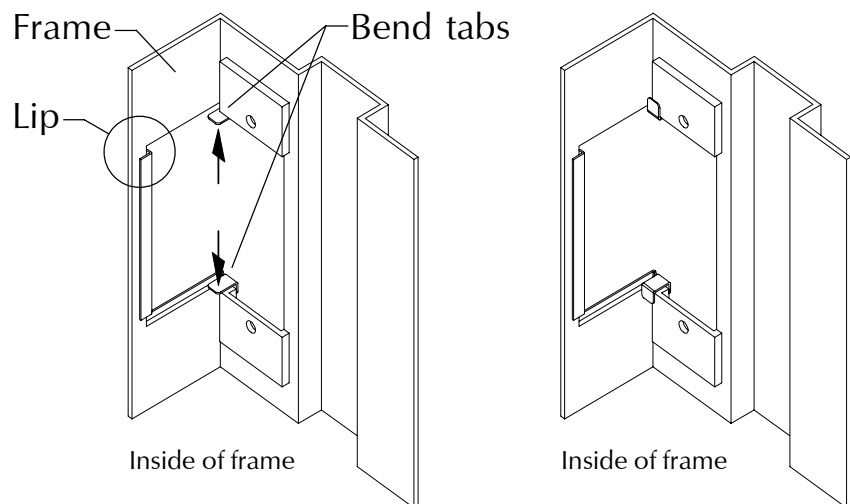
1

Fit filler plate into cutout.



2

Make sure lip of filler plate fits over edge of frame, then bend two tabs on filler plate to secure to frame.



931019-00

Customer Service
1-877-671-7011 www.allegion.com/us



ALLEGION

© Allegion 2015
Printed in U.S.A.
931019-00 Rev. 06/15-b