



941921-00

Retro-fit One Piece Center Case Cover

INSTRUCTIONS

1. Remove RH and LH center case covers. (Fig. 1)
2. Remove device from door.
3. Remove two 1/4-20 Cap Screws and center case cover. (Fig. 1)
4. Reinstall two 1/4-20 Cap Screws and secure with 1/4-20 hex nuts. (Fig. 2)
5. Attach cover mtg. bracket to mechanism case using two #12-24 x 1/2 Lg. Pan Phillips head screws (thread cutting). (Fig. 2)
6. Install cover bearing insert to bracket. (Be sure it stays in place during handling). (Fig. 2)
7. Install device on door. (Adjust vertical rod devices).
8. Install one piece cover using four #8-18 x 1/2 Lg. Flat Phillips head screws (Fig. 2)

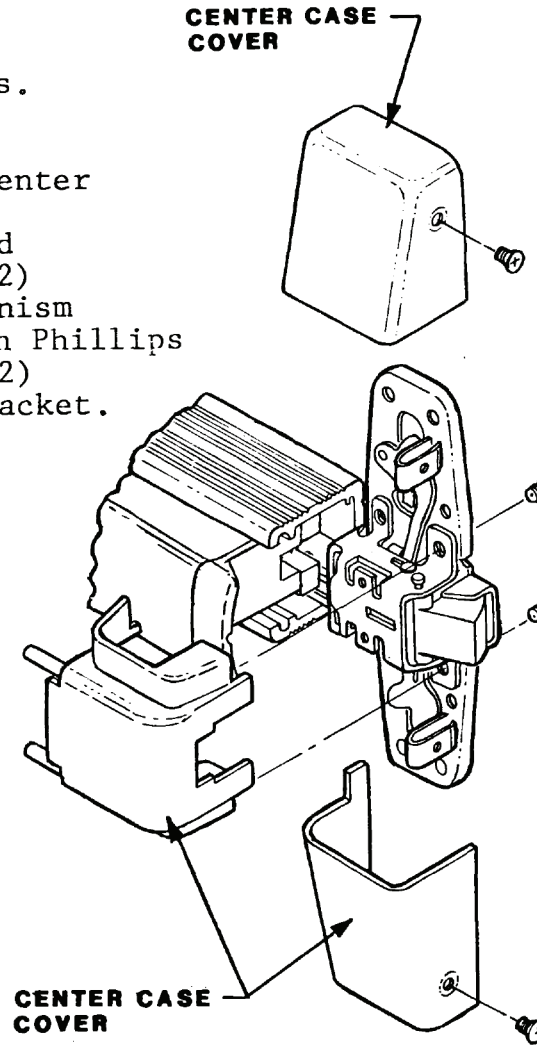


FIG. 1

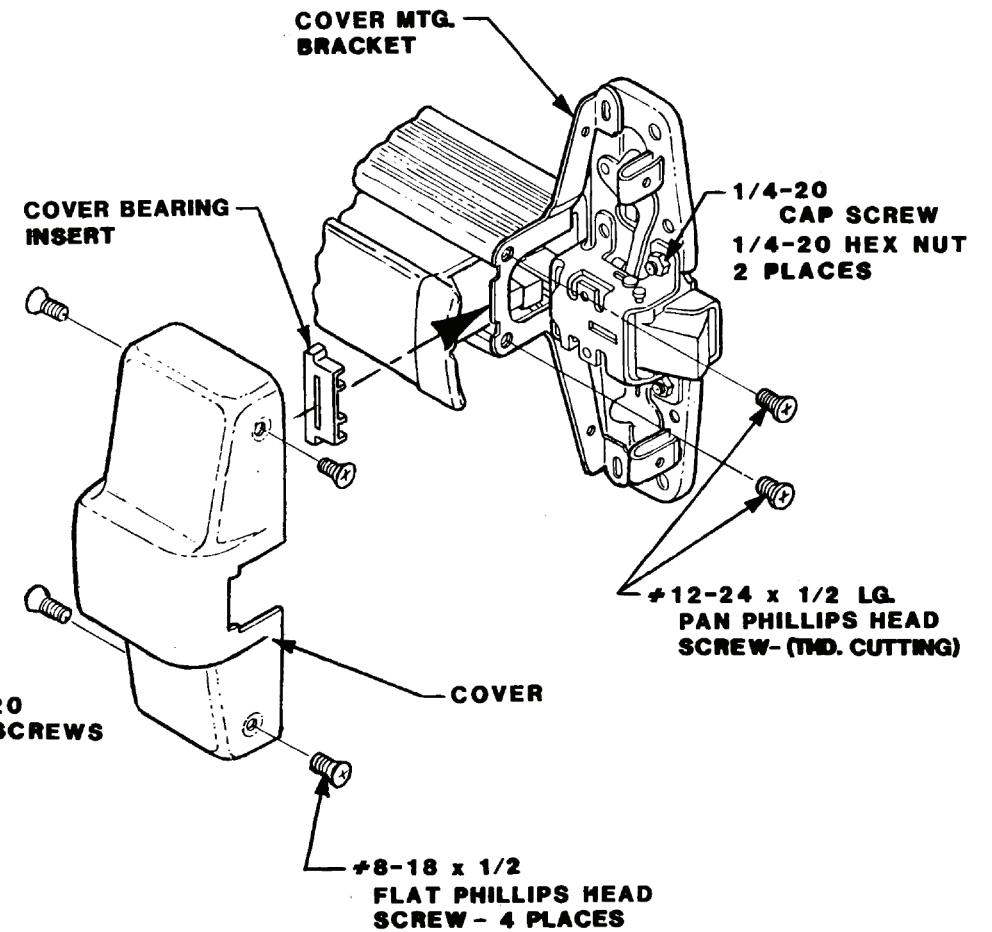


FIG. 2

RIM APPLICATION SHOWN

Customer Service

1-877-671-7011 www.allegion.com

