

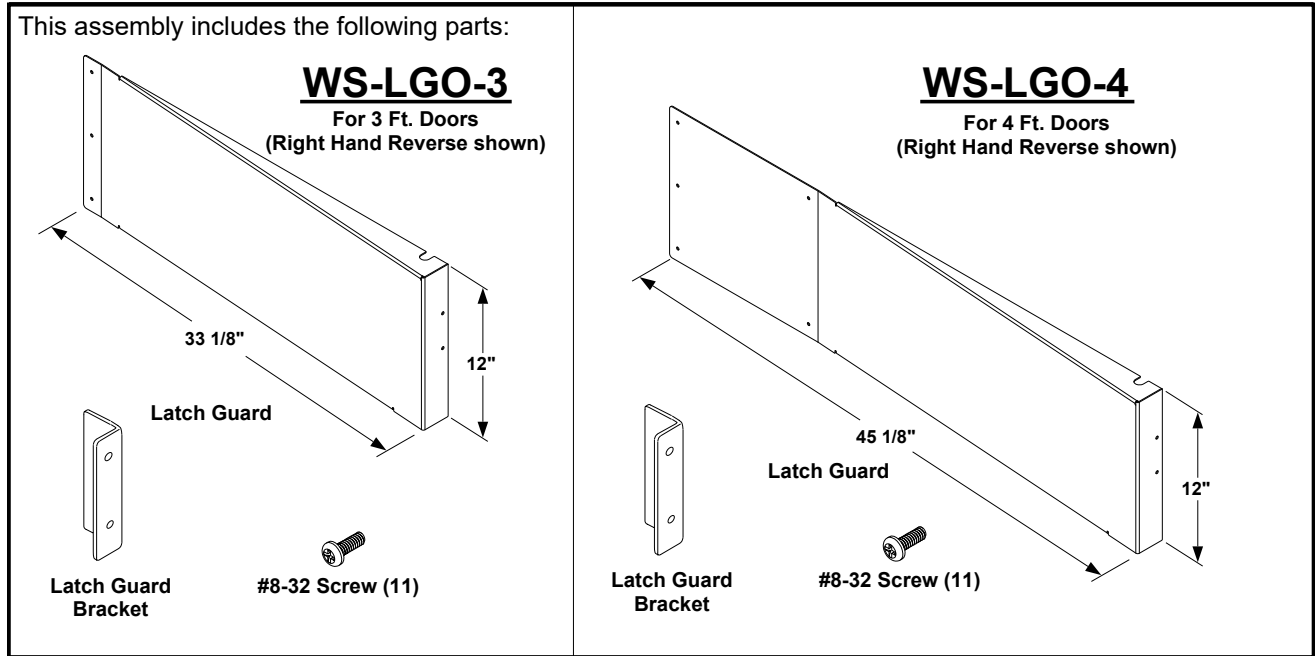


# WS-LGO-3/WS-LGO-4 VON DUPRIN®

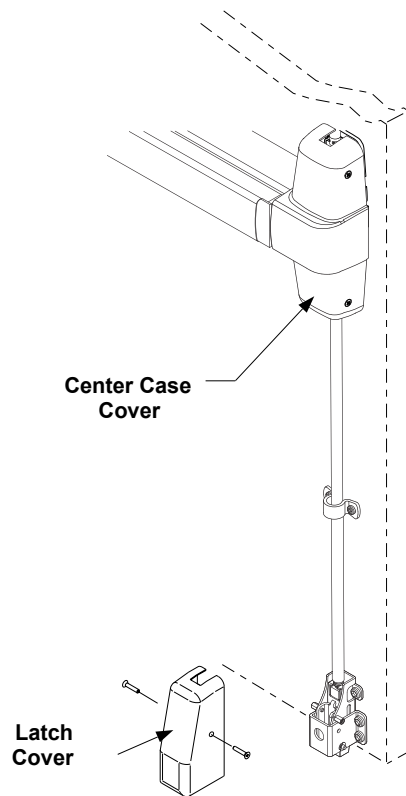
931039-00

Wind storm latch guards

Installation Instructions



## Step ① Remove latch cover.



### Notes:

1. For fire door applications, this product can be used on hollow metal or metal clad composite fire doors only.
2. This Latch Guard will cover a Bottom Latch that projects as far as 1 13/16" from the door.
3. These instructions shows right hand reverse installation. Left hand reverse steps are identical mirrored opposite door leaf.



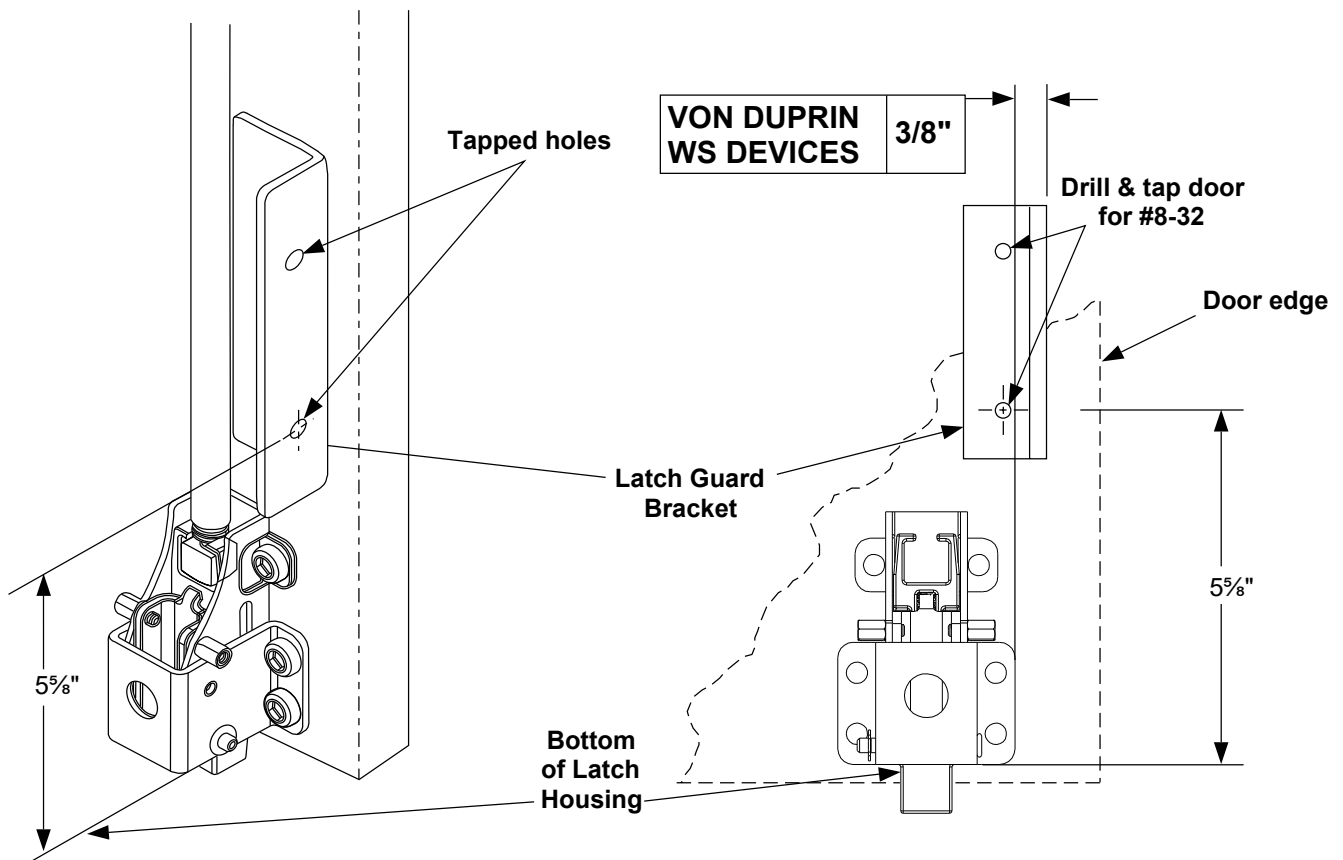
Customer Service

1-877-671-7011

[www.allegion.com/us](http://www.allegion.com/us)

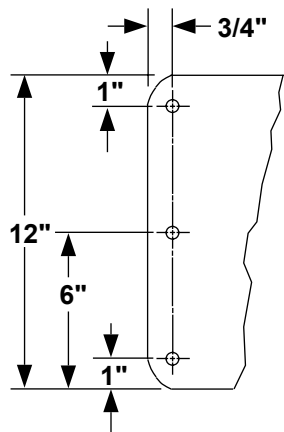
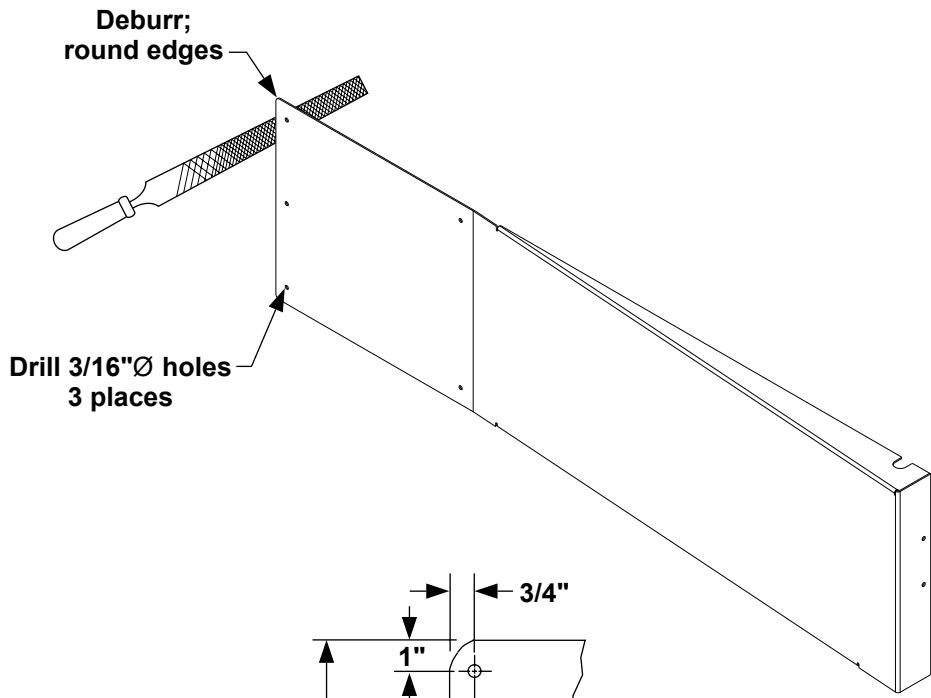
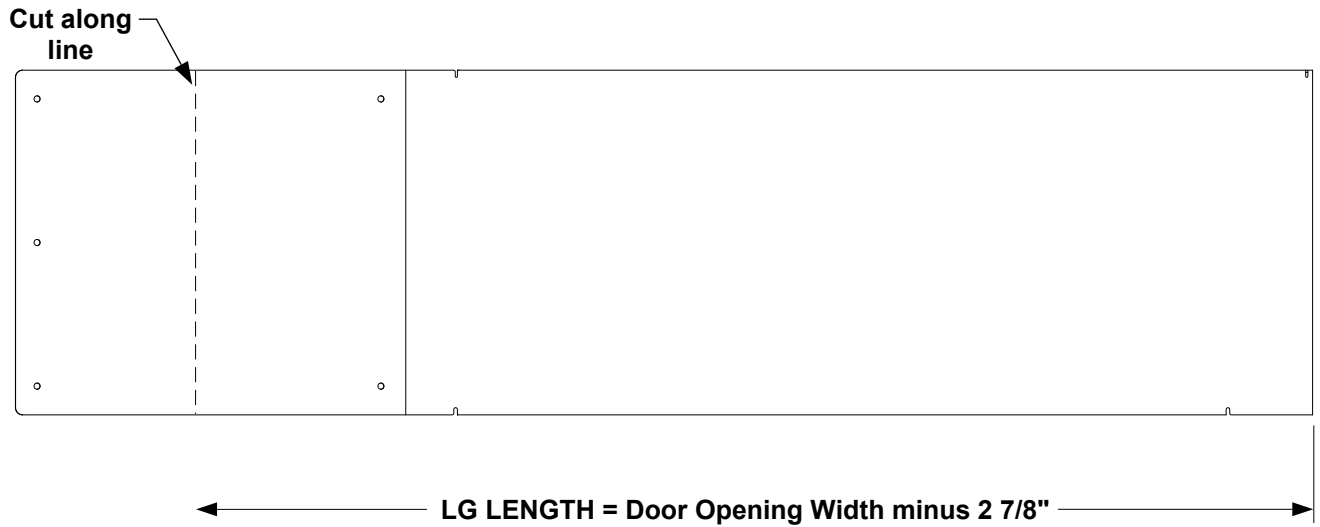
© Allegion 2019  
Printed in U.S.A.  
931039-00 Rev. 05/19-a

**Step ②** Locate and install latch guard bracket. Use bracket as a template for drilling holes.

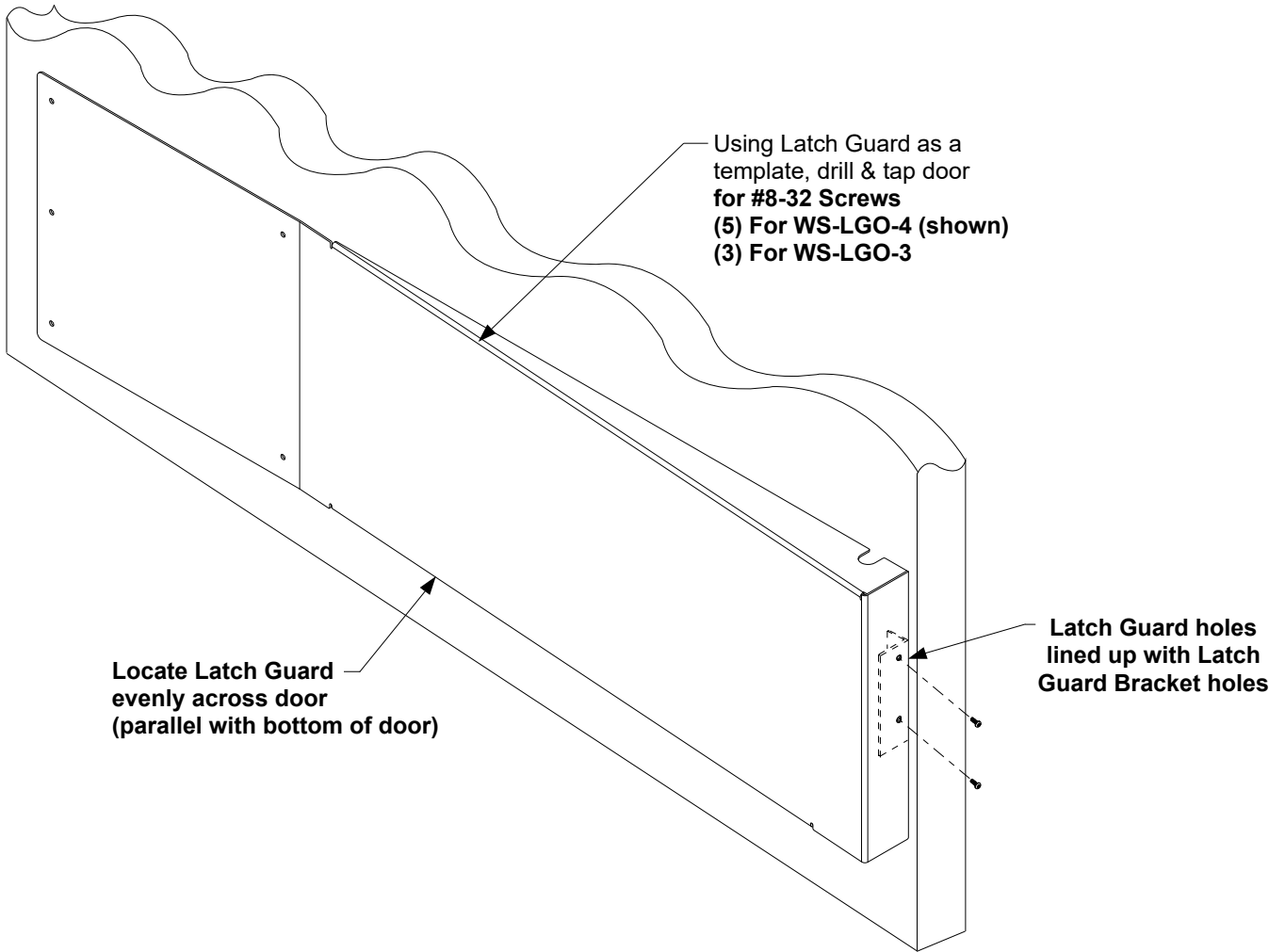


**Step ③** Do not install latch cover.

**Step 4** Modify 4 ft. latch guard for door widths between 3 and 4 feet. If cutting is not necessary, skip to Step 5.



**Step ⑤** Locate latch guard and prep door.



**Step ⑥** Install Latch Guard.

