



2720 Tobey Drive, Indianapolis, IN 46219
 Tel 1-877-671-7011 ■ Fax 800-851-0000
 Zero.Customer.Support@allegion.com
 www.zerointernational.com

Part No:

322

Part description:

Head & jamb gasketing,
 meeting stile

Notes:

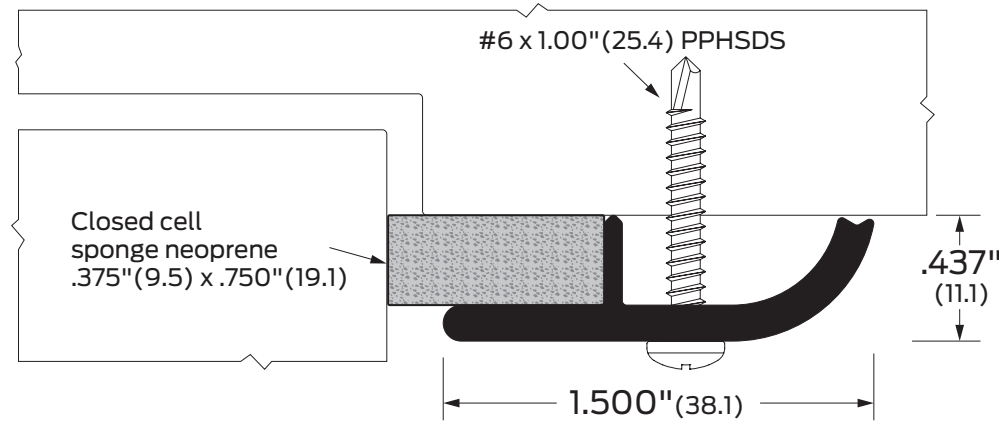
Provided by:

Customer name:

Job no:

Date:

Image may not be shown to scale



Certifications:



Fire rated-UL10c (as head & jamb)



Smoke and draft control

ANSI/BHMA:

322A, 322BK, 322D, 322G

R3C164, R3C634

Finishes:

- A** Aluminum mill finish
- BK** Aluminum black anodized
- D** Aluminum dark bronze anodized
- G** Aluminum gold anodized

Options:

- S** Order as a set
- SEC** Security screws

