



2720 Tobey Drive, Indianapolis, IN 46219
 Tel 1-877-671-7011 ■ Fax 800-851-0000
 Zero.Customer.Support@allegion.com
 www.zerointernational.com

Part No:

351

Part description:

Automatic door bottom
 Regular duty

Notes:

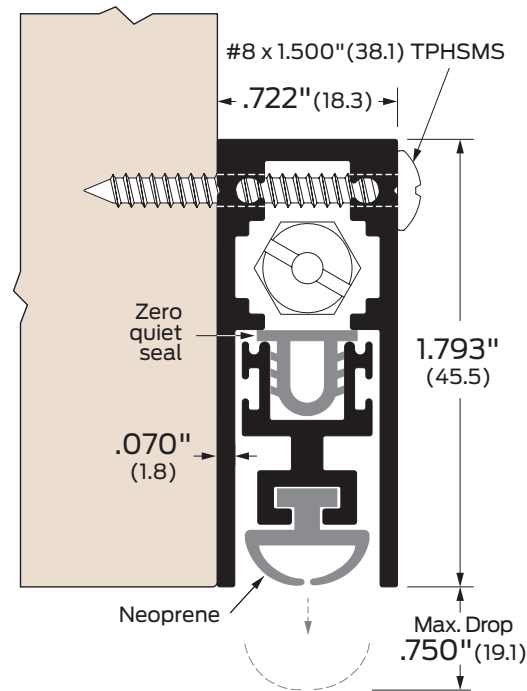
Provided by:

Customer name:

Job no:

Date:

Image may not be shown to scale



Notes:

Surface-mounted. Supplied with solid neoprene extrusion.
 Lengths 60-96" available as engineering specials.

Certifications:

- Fire rated-UL10c
- Air Infiltration
- Sound

ANSI/BHMA:

351AA, 351BK, 351D, 351G

R3B3341

Finishes:

- AA** Aluminum clear anodized
- BK** Aluminum black anodized
- D** Aluminum dark bronze anodized
- G** Aluminum gold anodized

Options:

- LS** Light spring
- PL** Pull out
- SEC** Torx security screws
- LK** Locking key
- NH** No holes

