



2720 Tobey Drive, Indianapolis, IN 46219  
 Tel 1-877-671-7011 ■ Fax 800-851-0000  
 Zero.Customer.Support@allegion.com  
 www.zerointernational.com

Part No:

352

Part description:

Automatic door bottom  
 Regular duty

Notes:

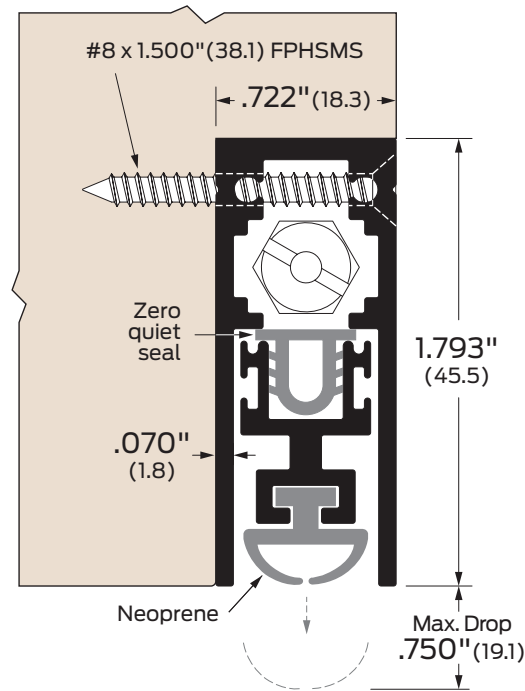
Provided by:

Customer name:

Job no:

Date:

Image may not be shown to scale



Notes:

Semi-mortised. Supplied with solid neoprene extrusion.  
 Lengths 60-96" available as engineering specials.

Certifications:

Fire rated-UL10c

ANSI/BHMA:

352AA, 352BK, 352D, 352G

R3B3441

Finishes:

- AA** Aluminum clear anodized
- BK** Aluminum black anodized
- D** Aluminum dark bronze anodized
- G** Aluminum gold anodized

Options:

- LS** Light spring
- PL** Pull out
- SEC** Torx security screws
- LK** Locking key
- NH** No holes

