



2720 Tobey Drive, Indianapolis, IN 46219
 Tel 1-877-671-7011 ■ Fax 800-851-0000
 Zero.Customer.Support@allegion.com
 www.zerointernational.com

Part No:

355

Part description:

Automatic door bottom
 Regular duty

Notes:

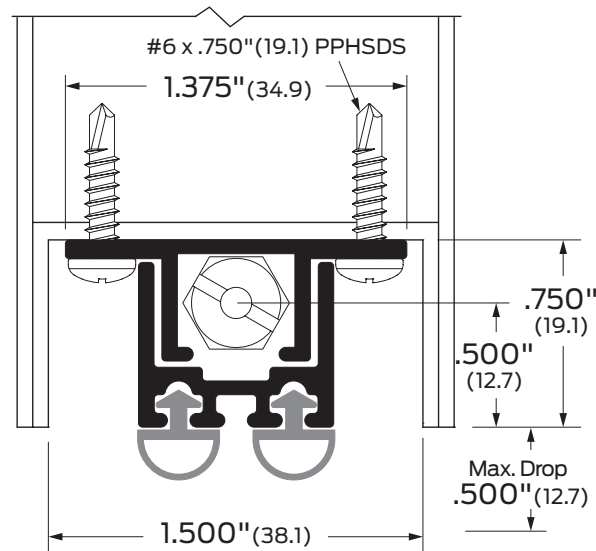
Provided by:

Customer name:

Job no:

Date:

Image may not be shown to scale



Notes:

For use with hollow metal doors. Mortised. Supplied without end caps.

Certifications:

- Fire rated-UL10c
- Air Infiltration
- Sound

ANSI/BHMA:

355A

R3E3241

Finishes:

AA Aluminum clear anodized

Options:

- FLO** Air flow/sound block
- PL** Pull out
- NH** No holes

