



2720 Tobey Drive, Indianapolis, IN 46219
Tel 1-877-671-7011 ■ Fax 800-851-0000
Zero.Customer.Support@allegion.com
www.zerointernational.com

Part No:

99

Part description:

Head & jamb gasketing,
meeting stile

Notes:

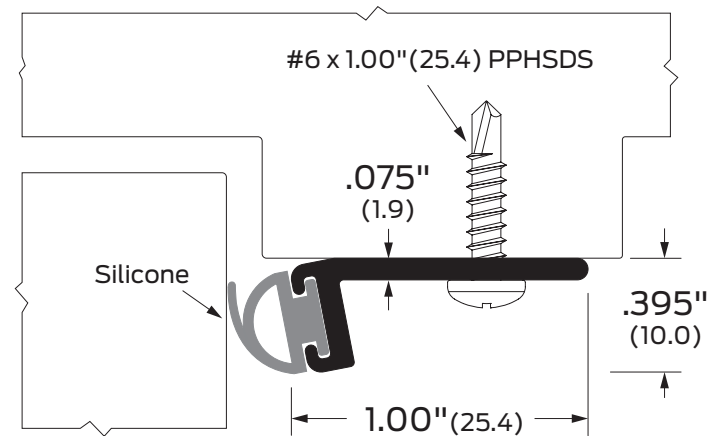
Provided by:

Customer name:

Job no:

Date:

Image may not be shown to scale



Certifications:

- Fire rated-UL10c
- Smoke and draft control

ANSI/BHMA:

99A, 99BK, 99D, 99G

R3E164, R3E735

Finishes:

- A** Aluminum mill finish
- BK** Aluminum black anodized
- D** Aluminum dark bronze anodized
- G** Aluminum gold anodized

Options:

- ZAG** Ligature resistant gasketing
- S** Order as a set
- SEC** Security screws

