



ALLEGION™



Door sealing systems

Explore [➤](#)

Start

Introduction

Thresholds

Automatic door bottoms

Perimeter seals

Weatherstripping

Intumescent solutions

Sound control solutions

Specialty solutions

Service and support



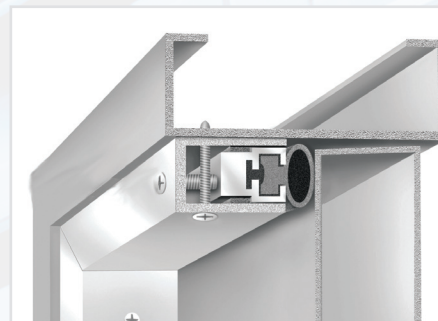
ALLEGION™



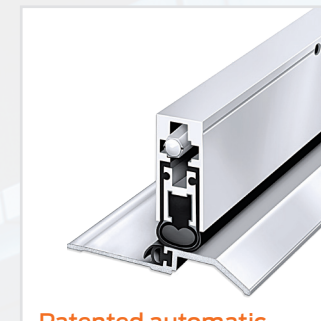
The standard for quality in door sealing hardware

Allegion's Zero International brand is recognized as the standard for quality in door sealing hardware. Our perimeter seals and thresholds are engineered for durability and reliable performance even under the most challenging installation and operating conditions. Our sealing products also support green building applications by promoting heating and cooling efficiency.

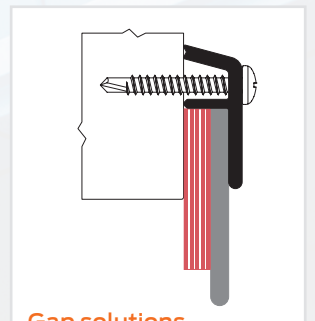
The comprehensive Zero product line includes advanced sound-control gasketing and a full array of other specialized sealing systems for doors and windows, as well as intumescent fire and smoke protection systems. We also offer a line of flood barrier shields with proven value for protecting door openings and building contents in flood-prone areas.



Sound trap system



Patented automatic door bottom technology



Gap solutions-restore lost fire rating

Start

Introduction

Thresholds

Automatic door bottoms

Perimeter seals

Weatherstripping

Intumescent solutions

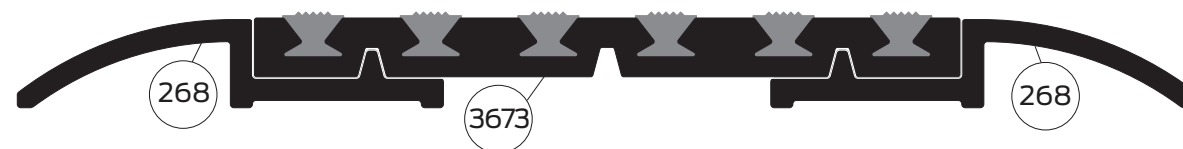
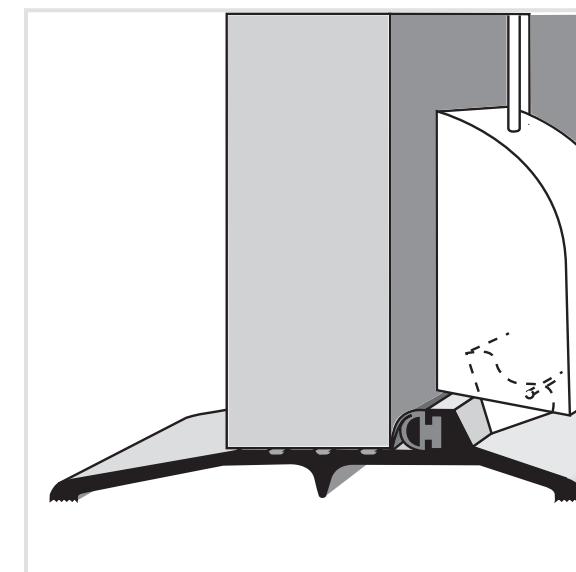
Sound control solutions

Specialty solutions

Service and support

Thresholds

Zero's thresholds feature top quality materials and construction to endure the demands of heavy traffic applications as well as those with extreme temperature differentials. They can be drilled or screwed directly into concrete without the common issues that arise when using lighter commercial materials, such as buckling under heavy loads or loose screws. A variety of types of thresholds are available to accommodate your project's specific needs.



65



655

Start

Introduction

Thresholds

Automatic door bottoms

Perimeter seals

Weatherstripping

Intumescent solutions

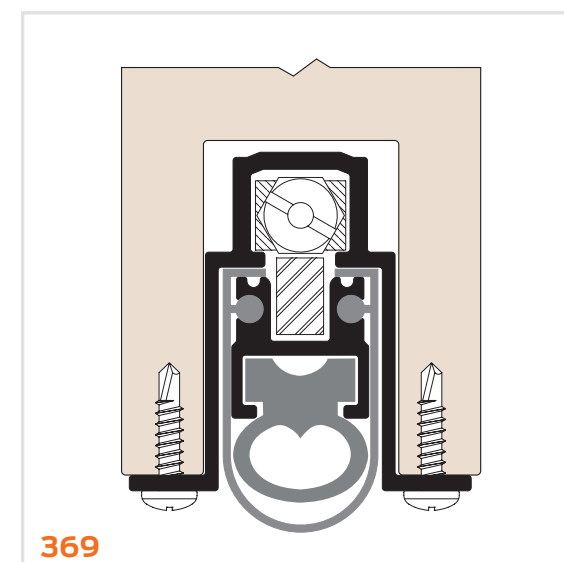
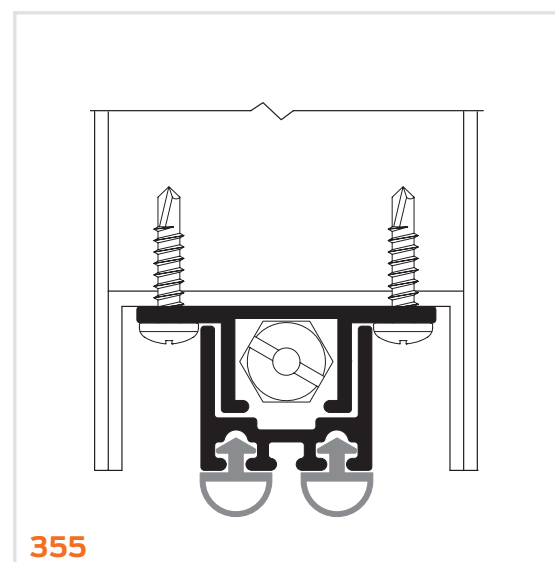
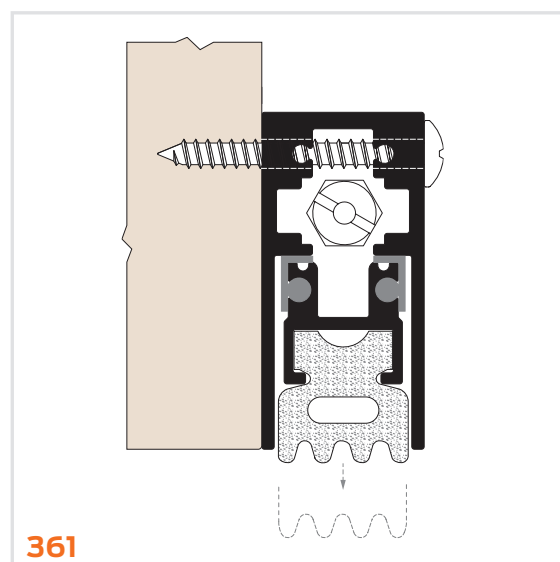
Sound control solutions

Specialty solutions

Service and support

Automatic door bottoms

The patented automatic door bottom technology from Zero ensures an efficient seal against the floor or saddle. As the door is closed, the adjustable plunger is compressed against the door frame, activating a concealed flat spring mechanism. This mechanism drops the seal smoothly from the housing in a scissor-like motion. Door bottoms are available in specialized versions for various applications, including light spring (LS options). Zero door bottoms are designed to block penetration by air, sound, smoke and flames.



Start

Introduction

Thresholds

Automatic door bottoms

Perimeter seals

Weatherstripping

Intumescent solutions

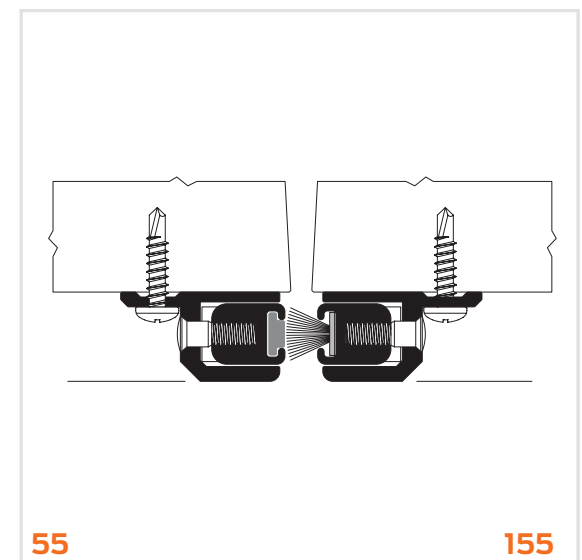
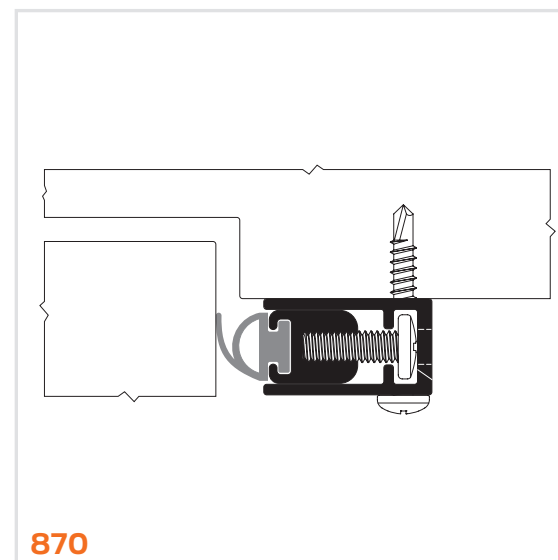
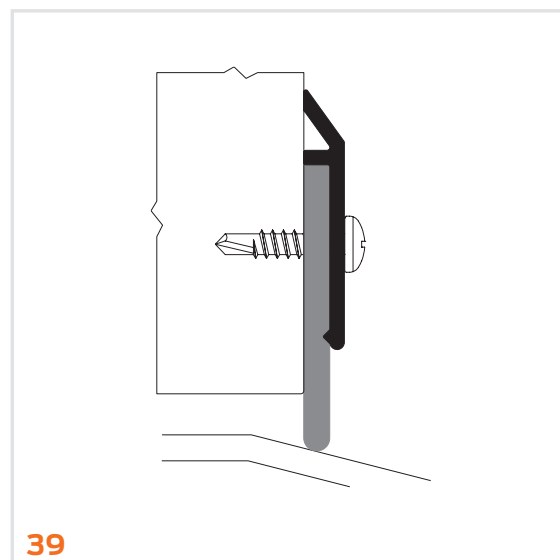
Sound control solutions

Specialty solutions

Service and support

Perimeter seals

Zero's door gaskets for protecting head, jamb, sill and meeting stiles are engineered for reliable performance in demanding environments. Constructed from top-quality materials, they are built to last. When you need the best seal to satisfy codes, or field conditions are less than perfect, Zero's mechanically fastened gasketing provides many choices. The offering includes a range of features, aesthetic options and specialized solutions.



Start

Introduction

Thresholds

Automatic door bottoms

Perimeter seals

Weatherstripping

Intumescent solutions

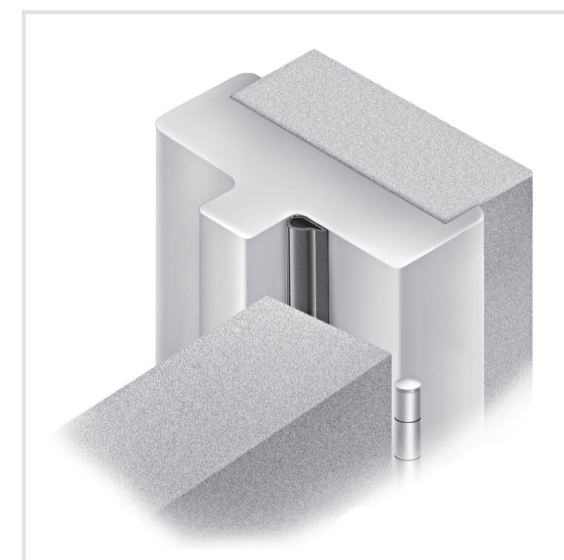
Sound control solutions

Specialty solutions

Service and support

Weatherstripping

A comprehensive selection of kerf seals and pressure-sensitive adhesive (PSA) rubber seals is available in a variety of materials. With a broad portfolio, Zero offers solutions for a variety of challenging applications—and your common sealing needs. Special features, such as state of the art adhesive, set Zero apart. And a variety of material options make it easy to customize solutions to meet the needs of each opening in your project.



Start

Introduction

Thresholds

Automatic door bottoms

Perimeter seals

Weatherstripping

Intumescent solutions

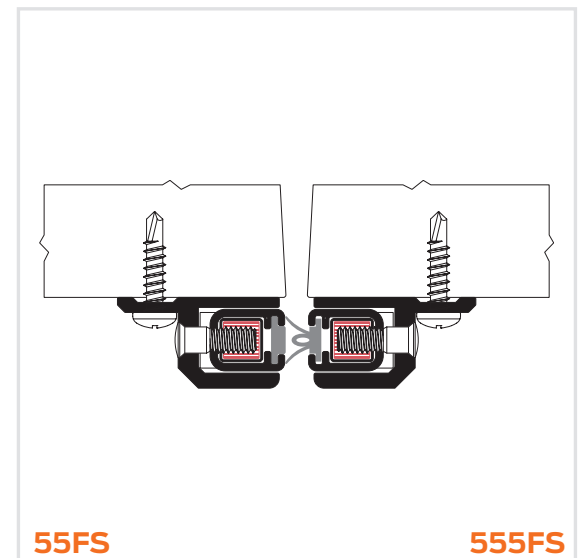
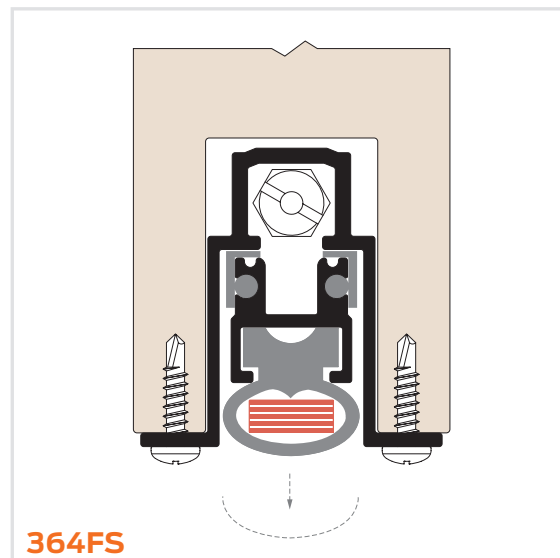
Sound control solutions

Specialty solutions

Service and support

Intumescent solutions

Zero's many years of leadership in developing fire and smoke seals have produced top-quality gasketing systems that meet the highest standards, including intumescent technology. Zero's positive pressure seals are tested and listed according to U.S. listing agencies' classifications for Category G edge sealing systems and Category H smoke and draft control systems.



Start

Introduction

Thresholds

Automatic door bottoms

Perimeter seals

Weatherstripping

Intumescent solutions

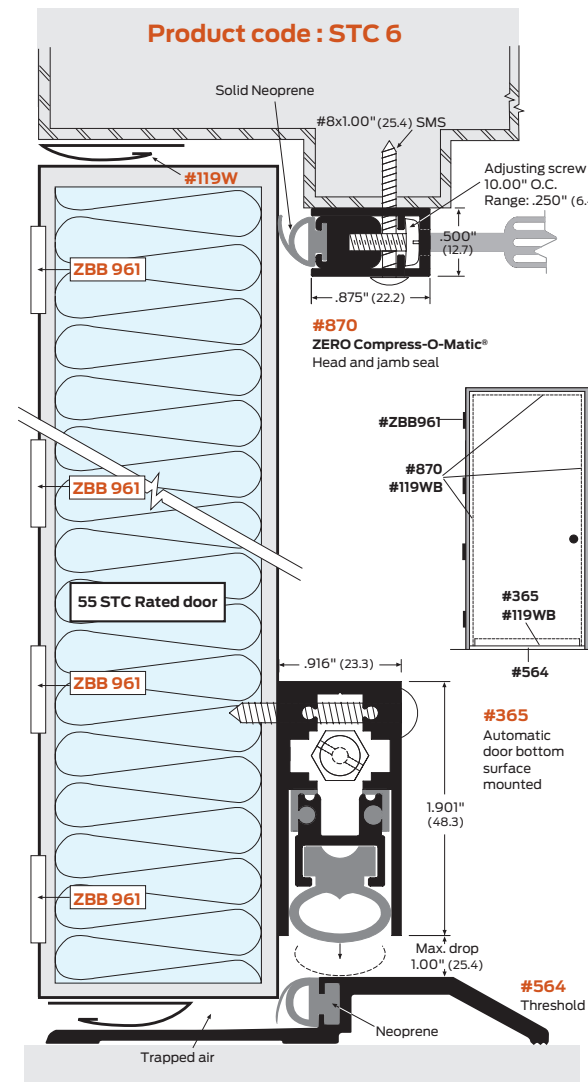
Sound control solutions

Specialty solutions

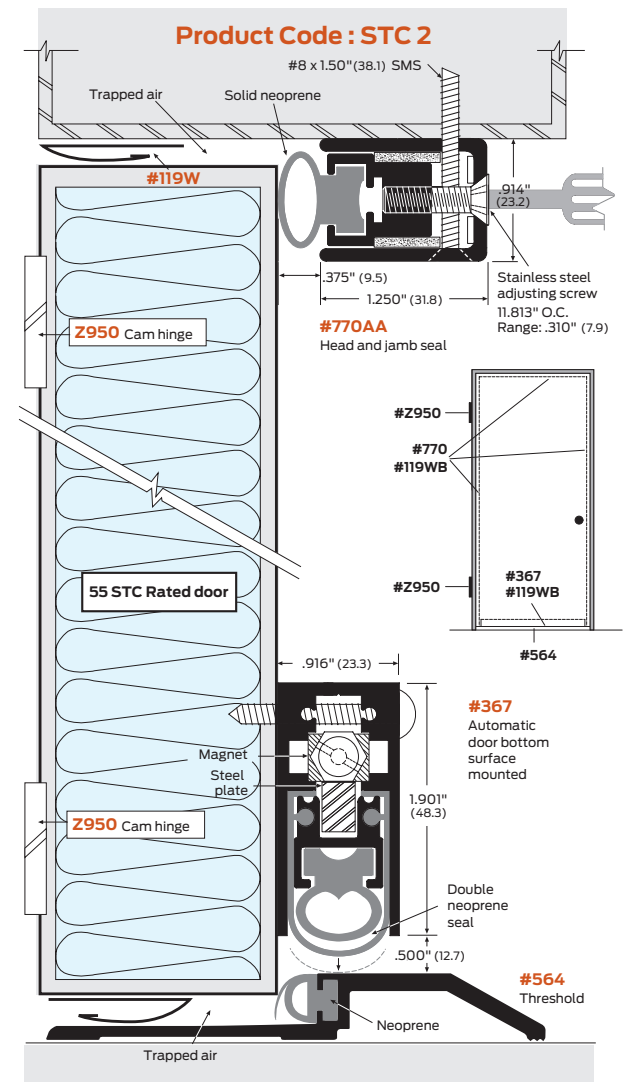
Service and support

Sound control solutions

Sounds control is a common desire in facilities like hospitals, schools, performing arts centers, recording studios, commercial offices, churches, hotels and apartment buildings. Zero uses advanced technology to master two critical challenges: creating an effective sound barrier at the perimeter of the door and preventing gaps in that barrier for the life of the assembly.



Sound Trap 49 STC sealing system



Sound Trap 52 STC sealing system

Start

Introduction

Thresholds

Automatic door bottoms

Perimeter seals

Weatherstripping

Intumescent solutions

Sound control solutions

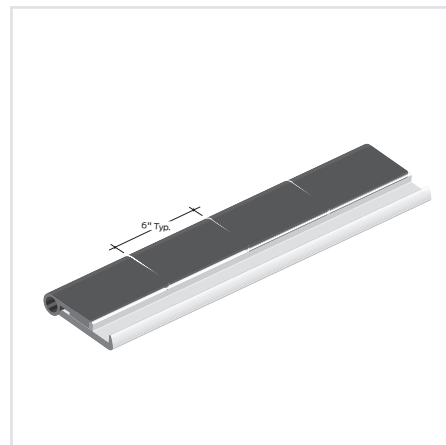
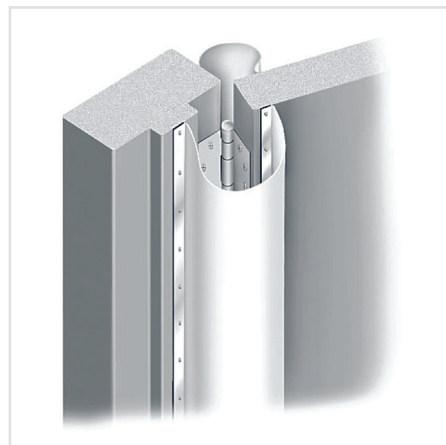
Specialty solutions

Service and support

Specialty solutions

Piecing a solution together across multiple product and manufacturers adds time, complexity and risk. Instead, ZERO offers proven solutions for a variety of applications, including: sound control, fire and smoke seals, flood barriers to ADA access systems and more. In addition, ZERO offers many unique products for challenging applications, such as:

- Finger guards
- Ligature-resistant gasketing
- Flood barrier shield
- Cam lift full mortise hinges
- Specialty head and jamb protection





ALLEGION™

Start

Introduction

Thresholds

Automatic door bottoms

Perimeter seals

Weatherstripping

Intumescent solutions

Sound control solutions

Specialty solutions

Service and support

Service and support

 Customer support: 877-671-7011

 support@allegion.com

 [us.allegion.com service/help](https://us.allegion.com/service/help)

About Allegion

Allegion (NYSE: ALLE) is a global pioneer in safety and security, with leading brands like CISA®, Interflex®, LCN®, Schlage®, SimonsVoss® and Von Duprin®. Focusing on security around the door and adjacent areas, Allegion produces a range of solutions for homes, businesses, schools and other institutions. Allegion is a \$2 billion company, with products sold in almost 130 countries.

For more, visit www.allegion.com

KRYPTONITE ■ LCN ■  ■ STEELCRAFT ■ VON DUPRIN

