



2720 Tobey Drive, Indianapolis, IN 46219
 Tel 1-877-671-7011 ■ Fax 800-851-0000
 Zero.Customer.Support@allegion.com
 www.zerointernational.com

Part No:

104

Part description:

Offset threshold

Notes:

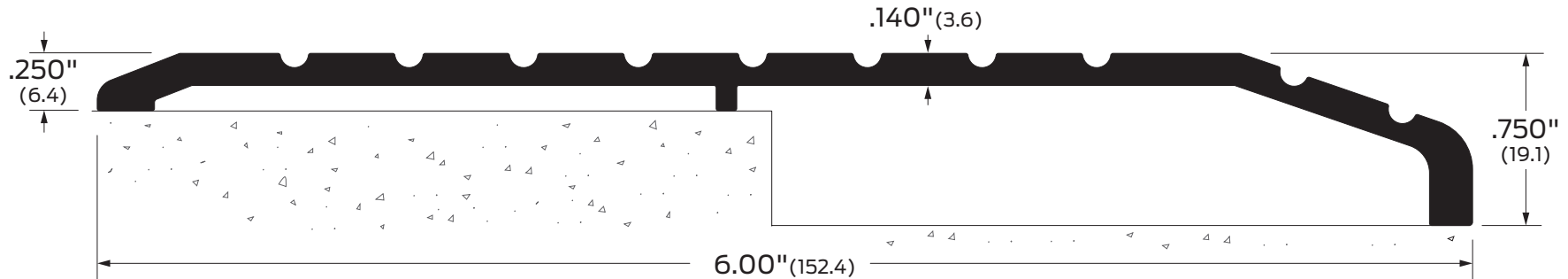
Provided by:

Customer name:

Job no:

Date:

Image may not be shown to scale



Notes:

Supplied without mounting holes.

Certifications:

Fire rated-UL10c

ANSI/BHMA:

104A, 104D, 104G, 104BK
 104A-E, 104D-E, 104G-E, 104BK-E

J32180
 J32280

Finishes:

- A** Aluminum mill finish
- BK** Aluminum black anodized
- D** Aluminum dark bronze anodized
- G** Aluminum gold anodized

Options:

- E** Epoxy abrasive tread
- EL** Photoluminescent and abrasive epoxy tread

