

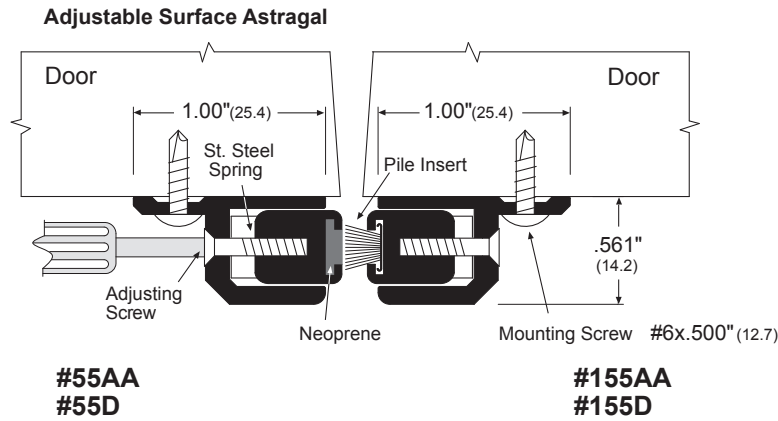


47255375

# Models 55, 155 Meeting Stiles



Installation Instructions



- 1 Cut meeting stile to length. Cut from one end. Maximum cut should not leave less than 1" (25.4mm) to the adjusting screw. If further adjustment needed, cut from the opposite end.
- 2 Position meeting stile pieces on pull side of each door as shown above.
- 3 Secure loosely with mounting screws on top, bottom and center points. Align pieces properly and fasten these screws.
- 4 Install the rest of mounting screws.
- 5 Adjust astragal by turning the adjustment screw so the pile and neoprene form a contact seal and allows doors to be closed and latched properly.



Customer Service

1-877-671-7011

[www.allegion.com/us](http://www.allegion.com/us)

© Allegion 2017  
Printed in U.S.A.  
47255375 Rev. 01/17-c