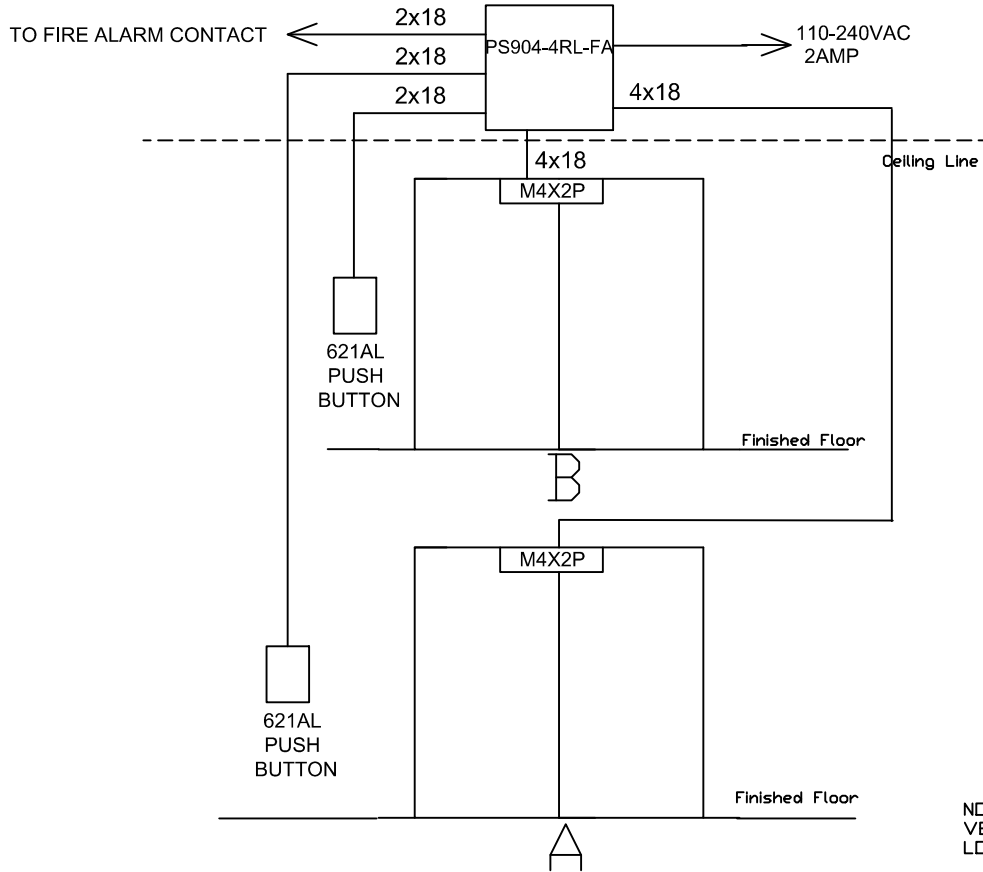


THIS DIAGRAM REPRESENTS A GENERIC CONFIGURATION. CUSTOM WIRING DIAGRAMS CAN BE ACQUIRED BY CONTACTING TECHNICAL SUPPORT.



NOTE:
VERIFY HARDWARE AND OPERATION ACCEPTABLE TO
LOCAL AHJ.

NOTES:
1) ALL LOW VOLTAGE WIRING TO BE STANDARD, MULTI-CONDUCTOR COLOR CODED WITHOUT SPLICES.
2) WIRING TO CONFORM TO APPLICABLE NATIONAL, STATE AND LOCAL ELECTRICAL CODES.
3) REFER TO SPECIFIC PRODUCT INSTALLATION INSTRUCTIONS FOR SPECIFIC WIRING REQUIREMENTS.
4) THIS DRAWING IS FOR GRAPHICAL REPRESENTATION OF PRODUCTS DETAILED IN THE HARDWARE SET ONLY.
5) ADDITIONAL WIRING WILL BE REQUIRED FROM ACP THAT IS NOT SHOWN HERE. CONSULT PROVIDER FOR DETAILS.

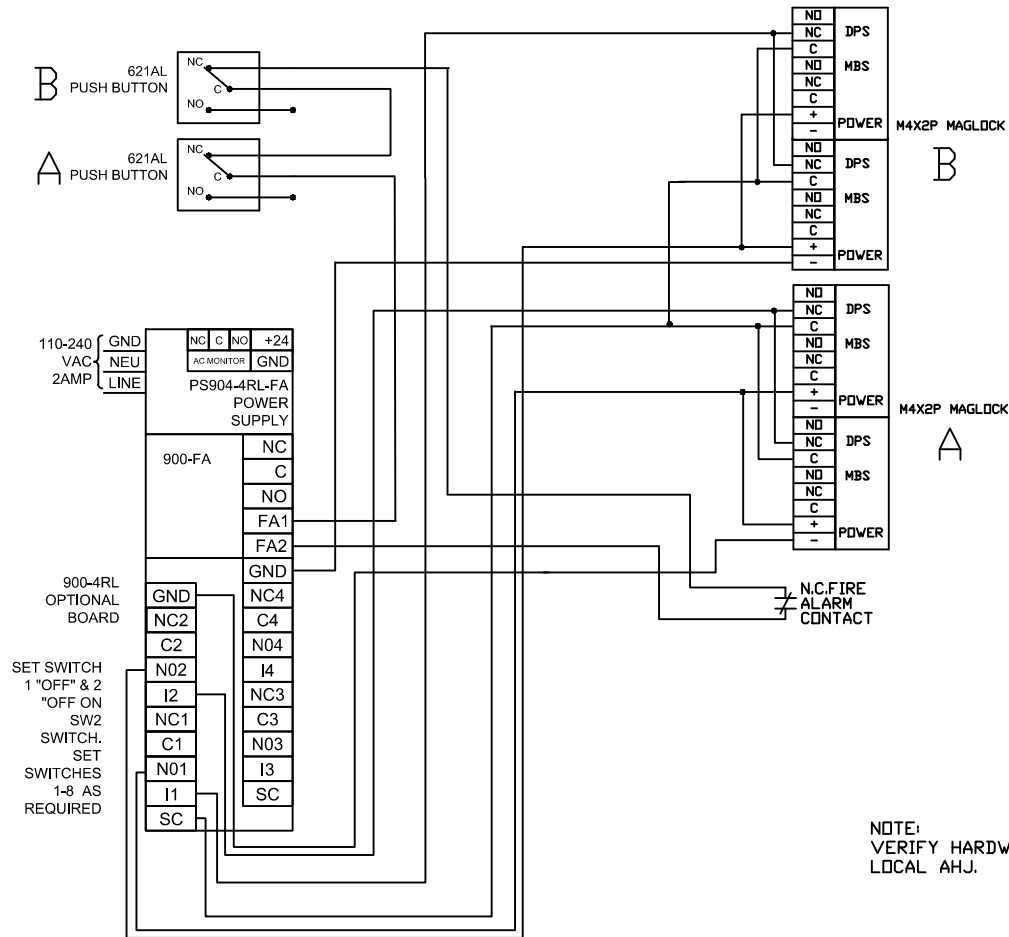
HARDWARE USED:
2 M4X2P MAG LOCKS
2 621AL PUSH BUTTONS
1 PS904-4RL-FA POWER SUPPLY
FIRE ALARM CONTACT SUPPLIED BY OTHERS
TYPE
2 DOOR SAFETY INTERLOCK WITH OVERRIDE BUTTONS

DOORS ARE INTERLOCKED WITH EACH OTHER. BOTH DOORS ARE UNLOCKED UNTIL ONE DOOR IS OPENED THEN THE OTHER PAIR OF DOORS WILL BE LOCKED.
EITHER PUSHBUTTON OR FIRE ALARM CONTACT WILL DEACTIVATE BOTH MAGLOCKS.
IN THIS EXAMPLE ALL CONNECTIONS ARE MADE IN THE PS904 ENCLOSURE.
DATE DRAWN: 3-21-13 REVISION DATE: 3-21-13
copyright 2013



TITLE: PS904 -4RL-FA, M4X2P SAFETY INTERLOCK
DRAWING TYPE: RISER DIAGRAM
DWG NO: 109443
DRAWN/CHECKED BY: B DOVE
REV: A

THIS DIAGRAM REPRESENTS A GENERIC CONFIGURATION. CUSTOM WIRING DIAGRAMS CAN BE ACQUIRED BY CONTACTING TECHNICAL SUPPORT.



NOTE:
VERIFY HARDWARE AND OPERATION ACCEPTABLE TO
LOCAL AHJ.

NOTES:
1) ALL LOW VOLTAGE WIRING TO BE STANDARD, MULTI-CONDUCTOR COLOR CODED WITHOUT SPLICES.
2) WIRING TO CONFORM TO APPLICABLE NATIONAL, STATE AND LOCAL ELECTRICAL CODES.
3) REFER TO SPECIFIC PRODUCT INSTALLATION INSTRUCTIONS FOR SPECIFIC WIRING REQUIREMENTS.
4) THIS DRAWING IS FOR GRAPHICAL REPRESENTATION OF PRODUCTS DETAILED IN THE HARDWARE SET ONLY.
5) ADDITIONAL WIRING WILL BE REQUIRED FROM ACP THAT IS NOT SHOWN HERE. CONSULT PROVIDER FOR DETAILS.

HARDWARE USED:
2 M4X2P MAG LOCKS
2 621AL PUSH BUTTONS
1 PS904-4RL-FA POWER SUPPLY
FIRE ALARM CONTACT SUPPLIED BY OTHERS
TYPE
2 DOOR SAFETY INTERLOCK WITH OVERRIDE BUTTONS

DOORS ARE INTERLOCKED WITH EACH OTHER. BOTH DOORS ARE UNLOCKED UNTIL ONE DOOR IS OPENED THEN THE OTHER PAIR OF DOORS WILL BE LOCKED.
EITHER PUSHBUTTON OR FIRE ALARM CONTACT WILL DEACTIVATE BOTH MAGLOCKS.
IN THIS EXAMPLE ALL CONNECTIONS ARE MADE IN THE PS904 ENCLOSURE.

DATE DRAWN: 3-21-13 REVISION DATE: 3-21-13
copyright 2013

ALLEGION™

TITLE: PS904 -4RL-FA, M4X2P SAFETY INTERLOCK

DRAWING TYPE: WIRING DIAGRAM
DWG NO: 109443
DRAWN/CHECKED BY: B DOVE

REV A