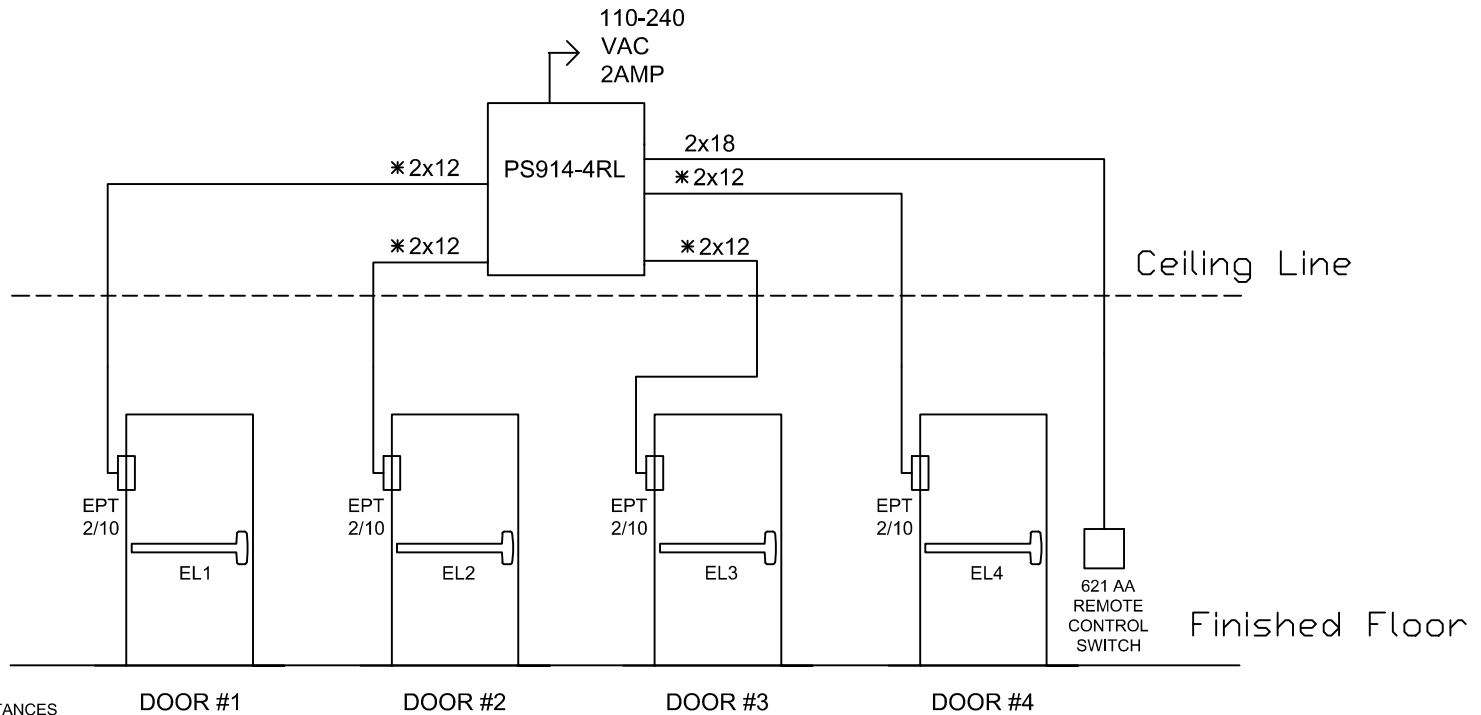


THIS DIAGRAM REPRESENTS A GENERIC CONFIGURATION. CUSTOM WIRING DIAGRAMS CAN BE ACQUIRED BY CONTACTING TECHNICAL SUPPORT.



NOTE:  
 \*USE #12 GAUGE WIRE FOR DISTANCES UP TO 200' FROM EPT TO PS914  
 \*USE #14 GAUGE WIRE FOR DISTANCES UP TO 100' FROM EPT TO PS914

NOTES:  
 1) ALL LOW VOLTAGE WIRING TO BE STANDARD, MULTI-CONDUCTOR COLOR CODED WITHOUT SPLICES.  
 2) WIRING TO CONFORM TO APPLICABLE NATIONAL, STATE AND LOCAL ELECTRICAL CODES.  
 3) REFER TO SPECIFIC PRODUCT INSTALLATION INSTRUCTIONS FOR SPECIFIC WIRING REQUIREMENTS.  
 4) THIS DRAWING IS FOR GRAPHICAL REPRESENTATION OF PRODUCTS DETAILED IN THE HARDWARE SET ONLY.  
 5) \* CONDUCTOR COUNT TO BE DETERMINED BY ACCESS CONTROL PANEL PROVIDER.

HARDWARE USED:  
 4 VON DUPRIN OR FALCON EL PANIC DEVICES  
 1 PS914-4RL POWER SUPPLY  
 4 EPT POWER TRANSFERS  
 621 AA REMOTE CONTROL PUSH BUTTON

TYPE  
 REMOTE 621AA PB WITH 4 ALLEGION EL DEVICES

OPERATION:  
 REMOTE CONTROL 621 AA PB TO SIGNAL ALL FOUR ELECTRIC PANIC BARS TO RETRACT FOR ENTRY.  
 THIS CONFIGURATION REPRESENTS A NON FIRE RATED OPENING.  
 IN THIS EXAMPLE ALL WIRING CONNECTIONS ARE MADE IN PS914 ENCLOSURE.

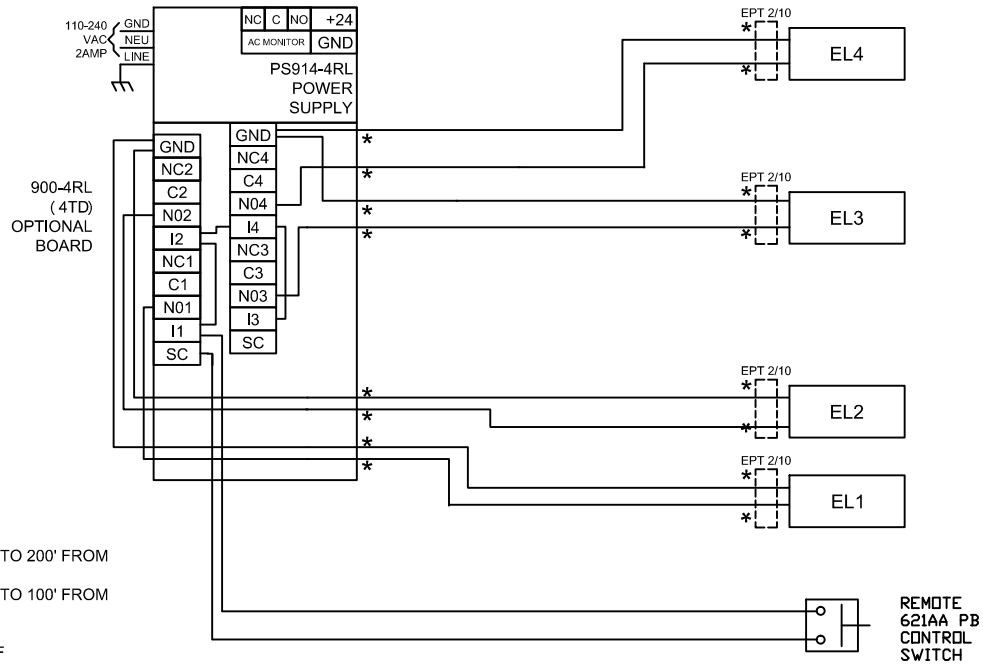
DATE DRAWN: 3-20-13  
 REVISION DATE: 3-14-14  
 copyright 2013



TITLE:  
 REMOTE 621AA PB WITH 4 ALLEGION EL PANICS

DRAWING TYPE: RISER DIAGRAM  
 DWG NO: 109440  
 DRAWN/CHECKED BY: B DOVE/ B DYE  
 REV: C

THIS DIAGRAM REPRESENTS A GENERIC CONFIGURATION. CUSTOM WIRING DIAGRAMS CAN BE ACQUIRED BY CONTACTING TECHNICAL SUPPORT.



NOTE:  
 \*USE #12 GAUGE WIRE FOR DISTANCES UP TO 200' FROM EPT TO PS914  
 \*USE #14 GAUGE WIRE FOR DISTANCES UP TO 100' FROM EPT TO PS914

900-4RL CARD SW2 SET SWITCH 1 AND 2 OFF  
 900-4RL CARD SW1 SET AS REQUIRED FOR TIME DELAYS  
 - SEE INSTRUCTION SHEET FOR DETAILS

NOTES:  
 1) ALL LOW VOLTAGE WIRING TO BE STANDARD, MULTI-CONDUCTOR COLOR CODED WITHOUT SPLICES.  
 2) WIRING TO CONFORM TO APPLICABLE NATIONAL, STATE AND LOCAL ELECTRICAL CODES.  
 3) REFER TO SPECIFIC PRODUCT INSTALLATION INSTRUCTIONS FOR SPECIFIC WIRING REQUIREMENTS.  
 4) THIS DRAWING IS FOR GRAPHICAL REPRESENTATION OF PRODUCTS DETAILED IN THE HARDWARE SET ONLY.  
 5) \* CONDUCTOR COUNT TO BE DETERMINED BY ACCESS CONTROL PANEL PROVIDER.

HARDWARE USED:  
 4 VON DUPRIN OR FALCON EL PANIC DEVICES  
 1 PS914-4RL POWER SUPPLY  
 4 EPT POWER TRANSFERS  
 621 AA REMOTE CONTROL SWITCH

TYPE  
 REMOTE 621AA PB WITH 4 ALLEGION EL DEVICES

OPERATION:  
 REMOTE CONTROL 621AA PB TO SIGNAL ALL FOUR ELECTRIC PANIC BARS TO RETRACT FOR ENTRY.

THIS CONFIGURATION REPRESENTS A NON FIRE RATED OPENING.

IN THIS EXAMPLE ALL WIRING CONNECTIONS ARE MADE IN PS914 ENCLOSURE.

DATE DRAWN: 3-20-13 REVISION DATE: 3-14-14  
 copyright 2013



TITLE: REMOTE 621AA PB WITH 4 ALLEGION EL PANICS

DRAWING TYPE: WIRING DIAGRAM DWG NO: 109440 REV C  
 DRAWN/CHECKED BY: B DOVE/ B DYE