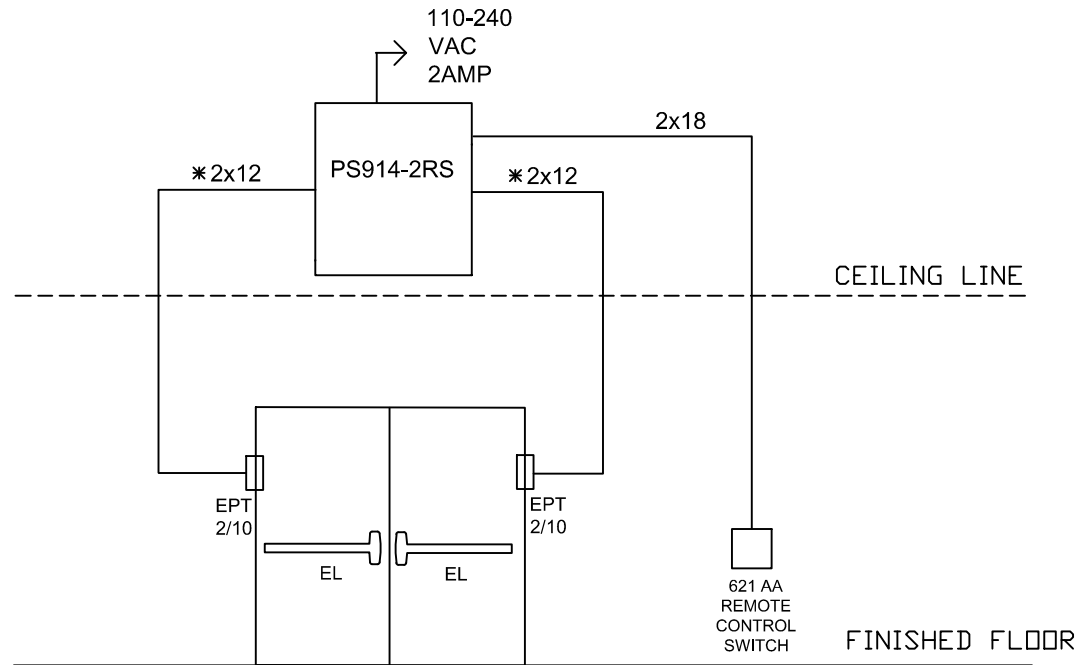


THIS DIAGRAM REPRESENTS A GENERIC CONFIGURATION. CUSTOM WIRING DIAGRAMS CAN BE ACQUIRED BY CONTACTING TECHNICAL SUPPORT.



NOTE:

- *USE #12 GAUGE WIRE FOR DISTANCES UP TO 200' FROM EPT TO PS914
- *USE #14 GAUGE WIRE FOR DISTANCES UP TO 100' FROM EPT TO PS914

SET PS914 TO 24VDC

- NOTES:**
- 1) ALL LOW VOLTAGE WIRING TO BE STANDARD, MULTI-CONDUCTOR COLOR CODED WITHOUT SPLICES.
 - 2) WIRING TO CONFORM TO APPLICABLE NATIONAL, STATE AND LOCAL ELECTRICAL CODES.
 - 3) REFER TO SPECIFIC PRODUCT INSTALLATION INSTRUCTIONS FOR SPECIFIC WIRING REQUIREMENTS.
 - 4) THIS DRAWING IS FOR GRAPHICAL REPRESENTATION OF PRODUCTS DETAILED IN THE HARDWARE SET ONLY.

HARDWARE USED:

- 2 VON DUPRIN OR FALCON EL PANIC DEVICES
- 1 PS914-2RS POWER SUPPLY
- 2 EPT POWER TRANSFERS
- 1 621 AA REMOTE CONTROL PUSH BUTTON

OPERATION:
 REMOTE CONTROL 621 AA PB TO SIGNAL PAIR EL ELECTRIC PANIC BAR TO RETRACT FOR ENTRY.
 THIS CONFIGURATION REPRESENTS A NON FIRE RATED OPENING.
 IN THIS EXAMPLE ALL WIRING CONNECTIONS ARE MADE IN PS914 ENCLOSURE.



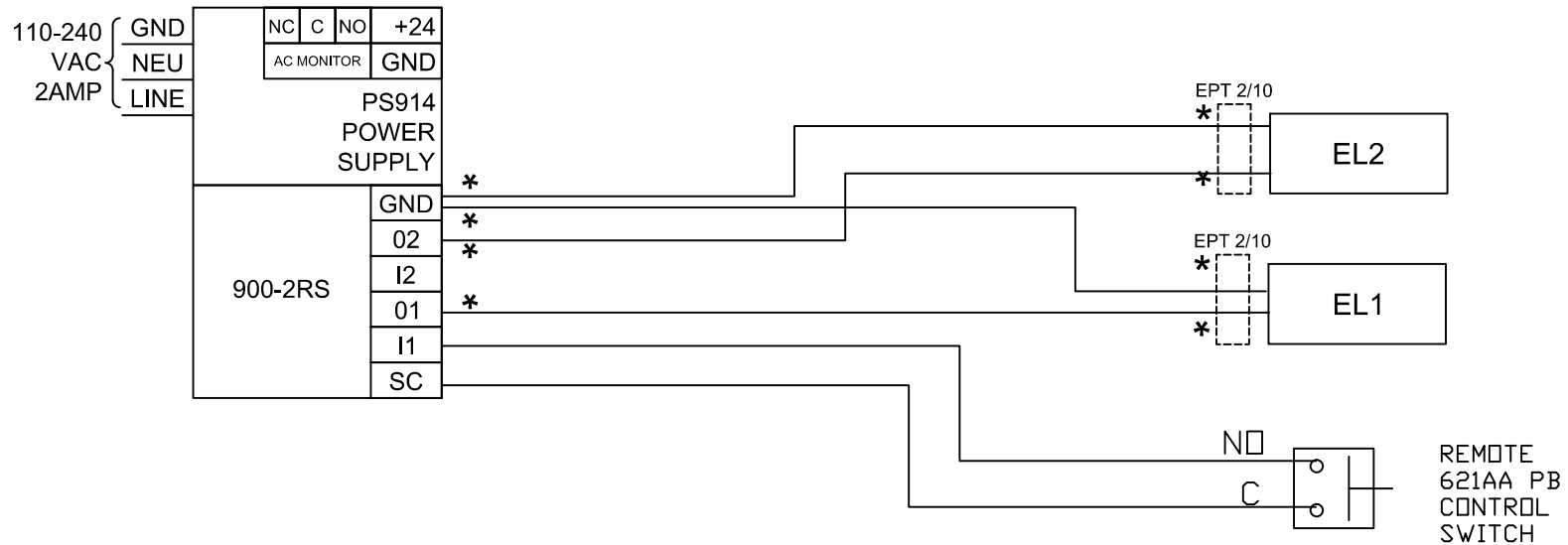
TITLE: REMOTE 621AA PB WITH PAIR ALLEGION EL PANICS

TYPE:
 REMOTE 621AA PB WITH PAIR ALLEGION EL DEVICES

DATE DRAWN: 5-3-13
REVISION DATE: 3-14-14
 copyright 2013

DRAWING TYPE: RISER DIAGRAM
DWG NO.: 109551
DRAWN/CHECKED BY: B DOVE
REV: C

THIS DIAGRAM REPRESENTS A GENERIC CONFIGURATION. CUSTOM WIRING DIAGRAMS CAN BE ACQUIRED BY CONTACTING TECHNICAL SUPPORT.



NOTE:
 *USE #12 GAUGE WIRE FOR DISTANCES UP TO 200' FROM EPT TO PS914
 *USE #14 GAUGE WIRE FOR DISTANCES UP TO 100' FROM EPT TO PS914

SET PS914 TO 24VDC

NOTES:
 1) ALL LOW VOLTAGE WIRING TO BE STANDARD, MULTI-CONDUCTOR COLOR CODED WITHOUT SPLICES.
 2) WIRING TO CONFORM TO APPLICABLE NATIONAL, STATE AND LOCAL ELECTRICAL CODES.
 3) REFER TO SPECIFIC PRODUCT INSTALLATION INSTRUCTIONS FOR SPECIFIC WIRING REQUIREMENTS.
 4) THIS DRAWING IS FOR GRAPHICAL REPRESENTATION OF PRODUCTS DETAILED IN THE HARDWARE SET ONLY.

HARDWARE USED:
 2 VON DUPRIN DR FALCON FIRE RATED EL PANIC DEVICES
 1 PS914-2RS POWER SUPPLY
 2 EPT POWER TRANSFERS
 621 AA REMOTE CONTROL SWITCH

OPERATION:
 REMOTE CONTROL 621AA PB TO SIGNAL PAIR ELECTRIC PANIC BARS TO RETRACT FOR ENTRY.

THIS EXAMPLE IS A NON FIRE RATED APPLICATION.

IN THIS EXAMPLE ALL WIRING CONNECTIONS ARE MADE IN PS914 ENCLOSURE.



TITLE:
 REMOTE 621AA PB WITH PAIR NON FIRE RATED ALLEGION EL PANICS

TYPE
 REMOTE 621AA PB WITH PAIR NON FIRE RATED ALLEGION EL DEVICES

DATE DRAWN: 5-3-13 REVISION DATE: 3-14-14

copyright 2013

DRAWING TYPE:
 WIRING DIAGRAM

DWG NO.: 109551
 DRAWN/CHECKED BY:
 B DOVE

REV
 C