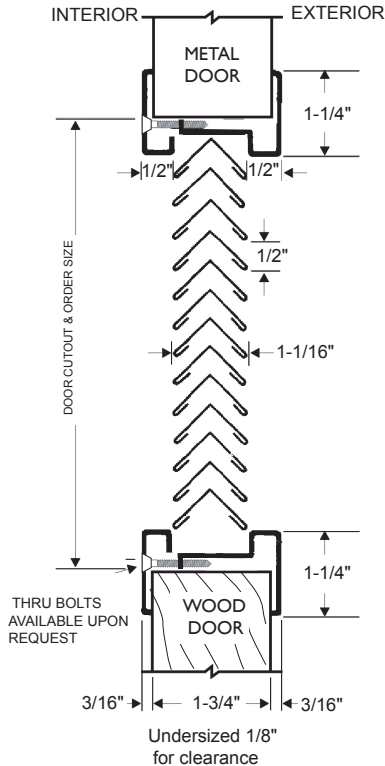


4CY No Vision Door Louver

For 1-3/4" thick doors



Installation Instructions



Installation Instructions for Louvers with frame

1. Cut out door in accordance with door manufacturer's procedure.
 2. Position outer frame with louver core, in-door cut-out.
 3. Position inner frame and insert, and start all screws before fully tightening.
 4. Tighten screws using crisscross pattern. Use caution when using power screw-driving equipment to avoid stripping the material.
- ① **Field Painting:** For best results, scuff finish with a scotch-brite pad or sand paper before painting.

Customer Service

1-877-671-7011

us.allegion.com



© Allegion 2016
111366 Rev. 9/16-a