



D-1790

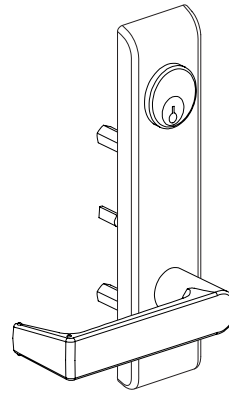
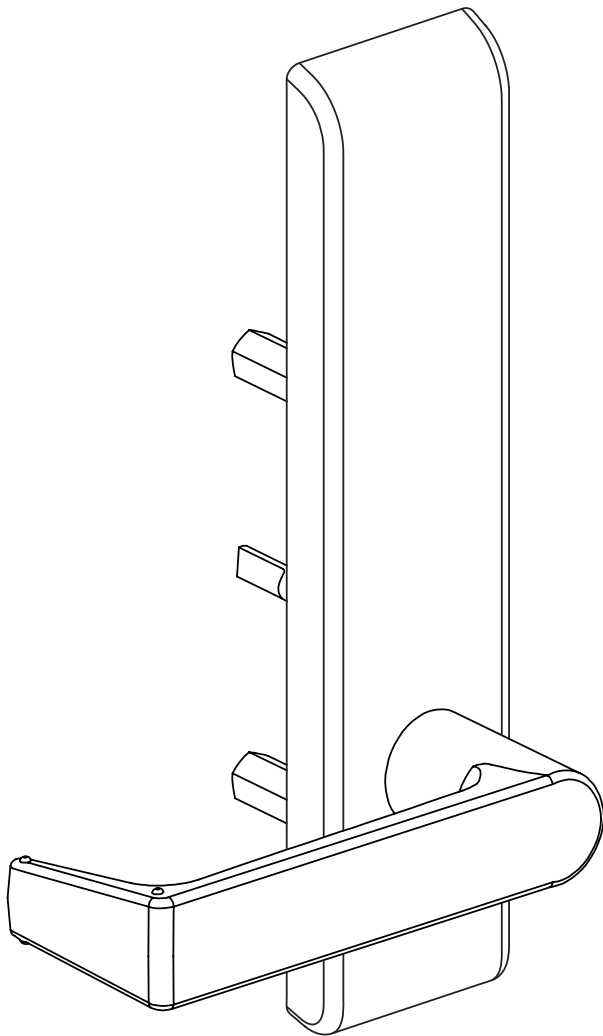
179L

FALCON®

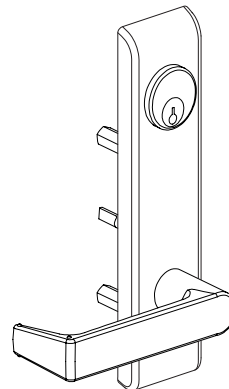
Control for 1790 Rim Panic Device

Installation Instructions

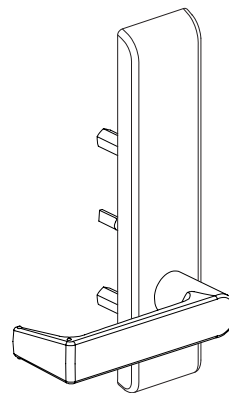
**Control Functions**



L  
Key locks and  
unlocks control; lever  
retracts latch bolt



L-NL  
Key allows lever  
to retract latch bolt



L-BE  
Control always  
unlocked; lever  
retracts latch bolt

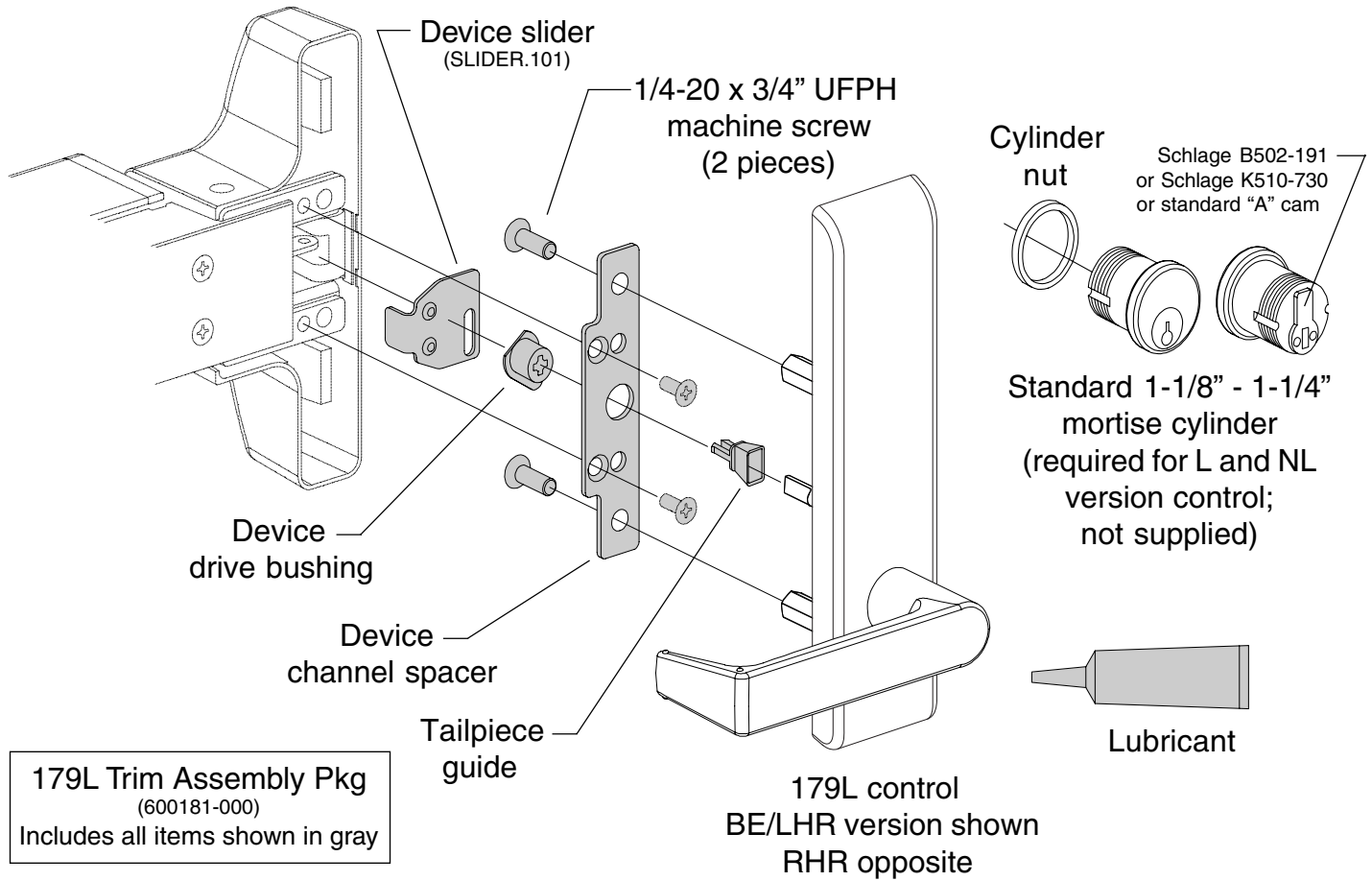


Customer Service

1-877-671-7011 [www.allegion.com/us](http://www.allegion.com/us)

© Allegion 2016  
Printed in U.S.A.  
D-1790 12/16-d

## Parts List

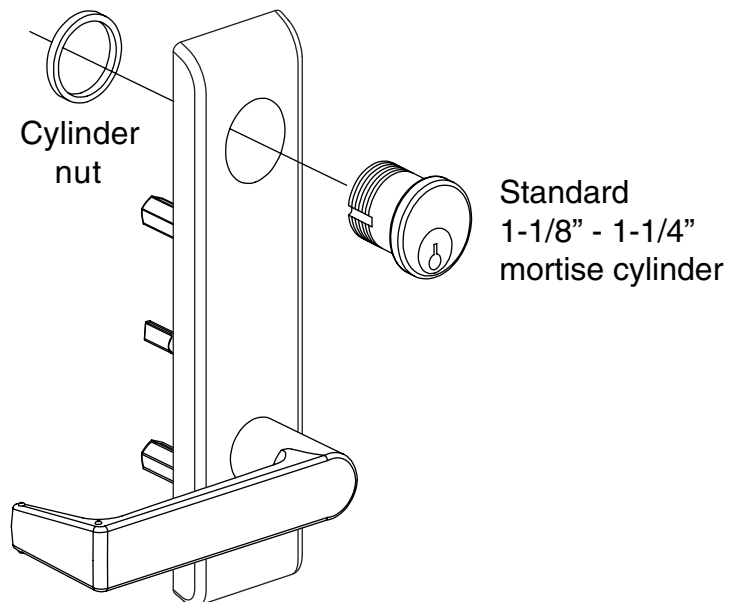


## Installation

**1** Prepare door for control (see page 7) and for device (see page 8).

**2** Install control cylinder (L and NL control only).

Install cylinder with  
 cam in position shown  
 with key removed

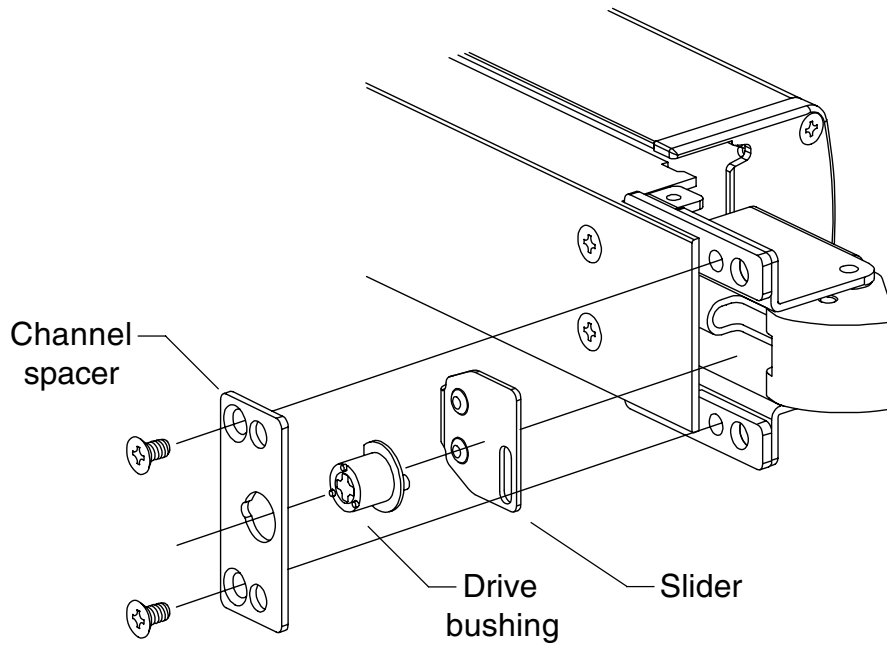


**3** Remove parts from device as shown.

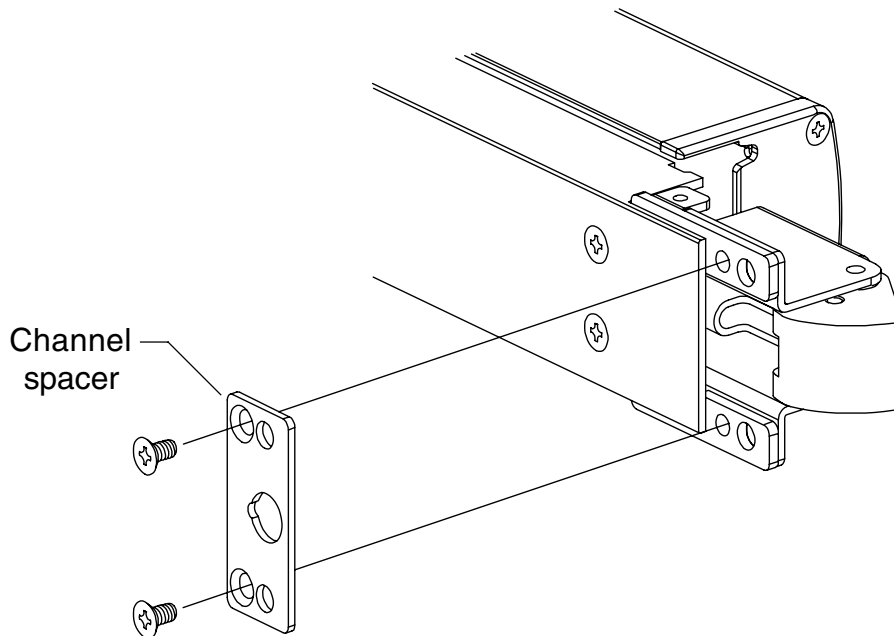
**NOTE**

For retrofit applications, remove device from door first.

For NL and HB devices, remove channel spacer, drive bushing, and slider

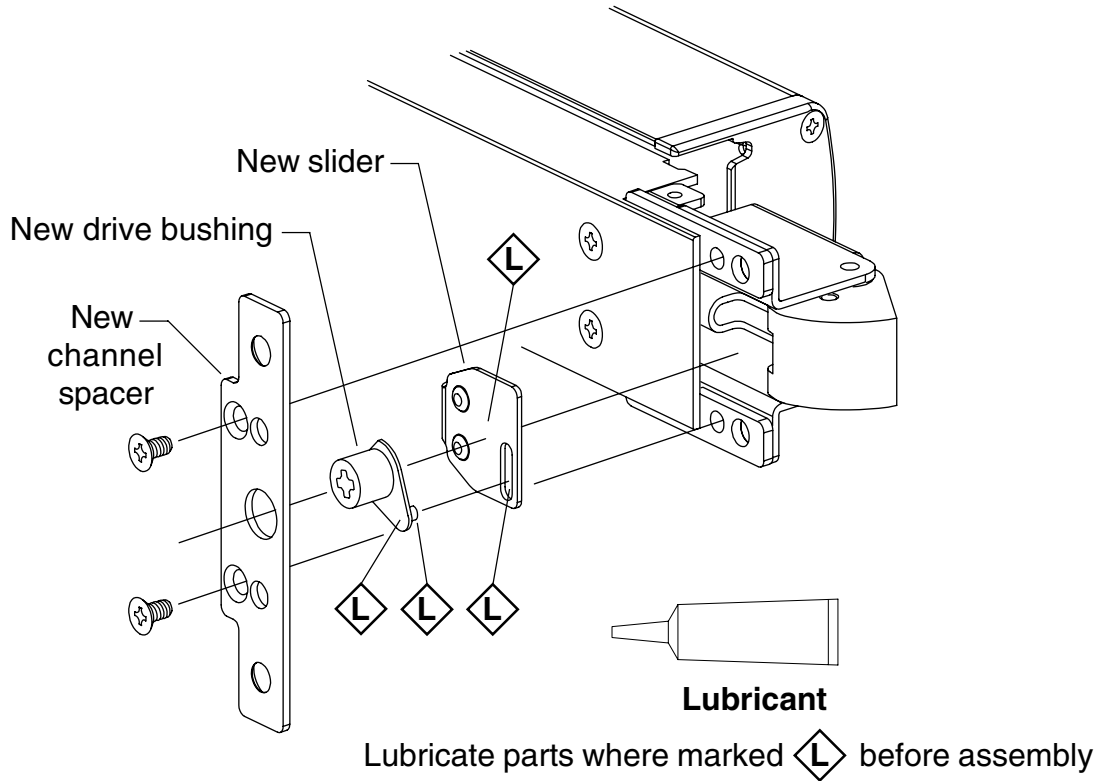


For EO devices, remove channel spacer

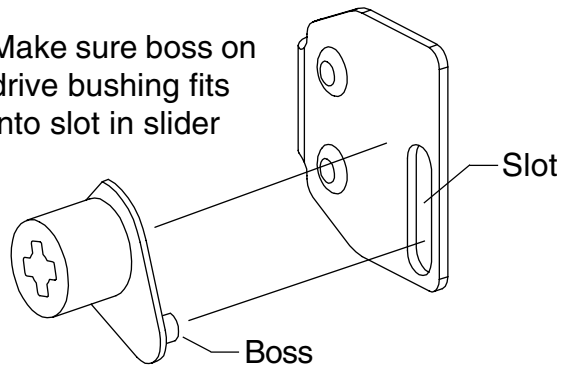


**4** Install new slider, drive bushing, and channel spacer in device as shown.

Install all parts in all types of devices  
(NL, HB, and EO type devices)



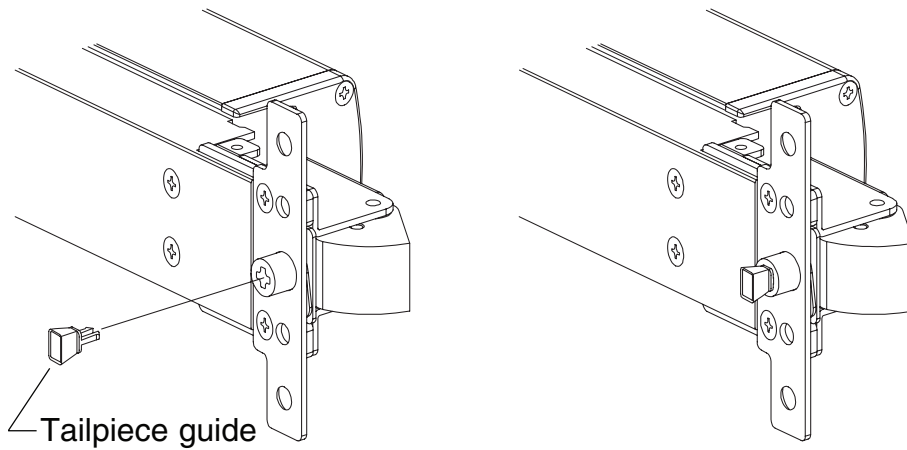
Make sure boss on  
drive bushing fits  
into slot in slider



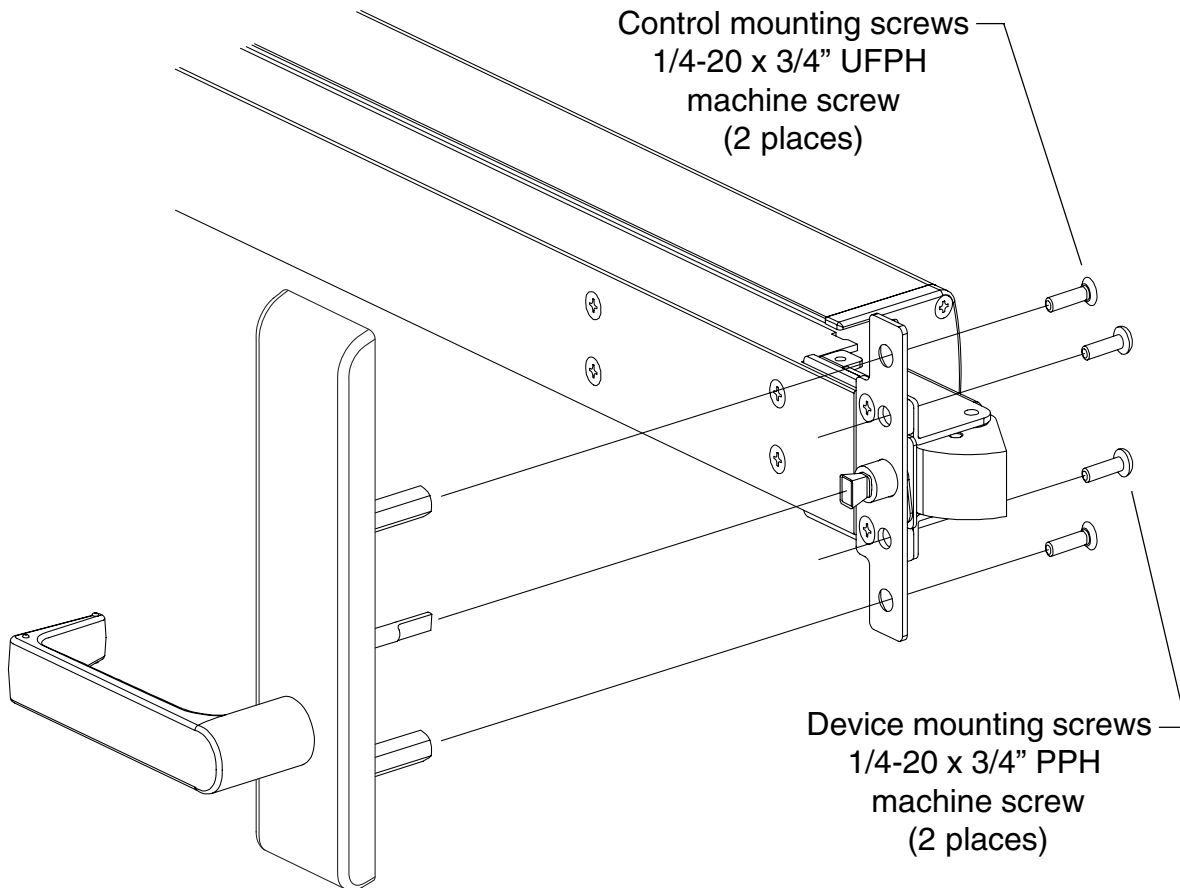


**6** Install device and control.

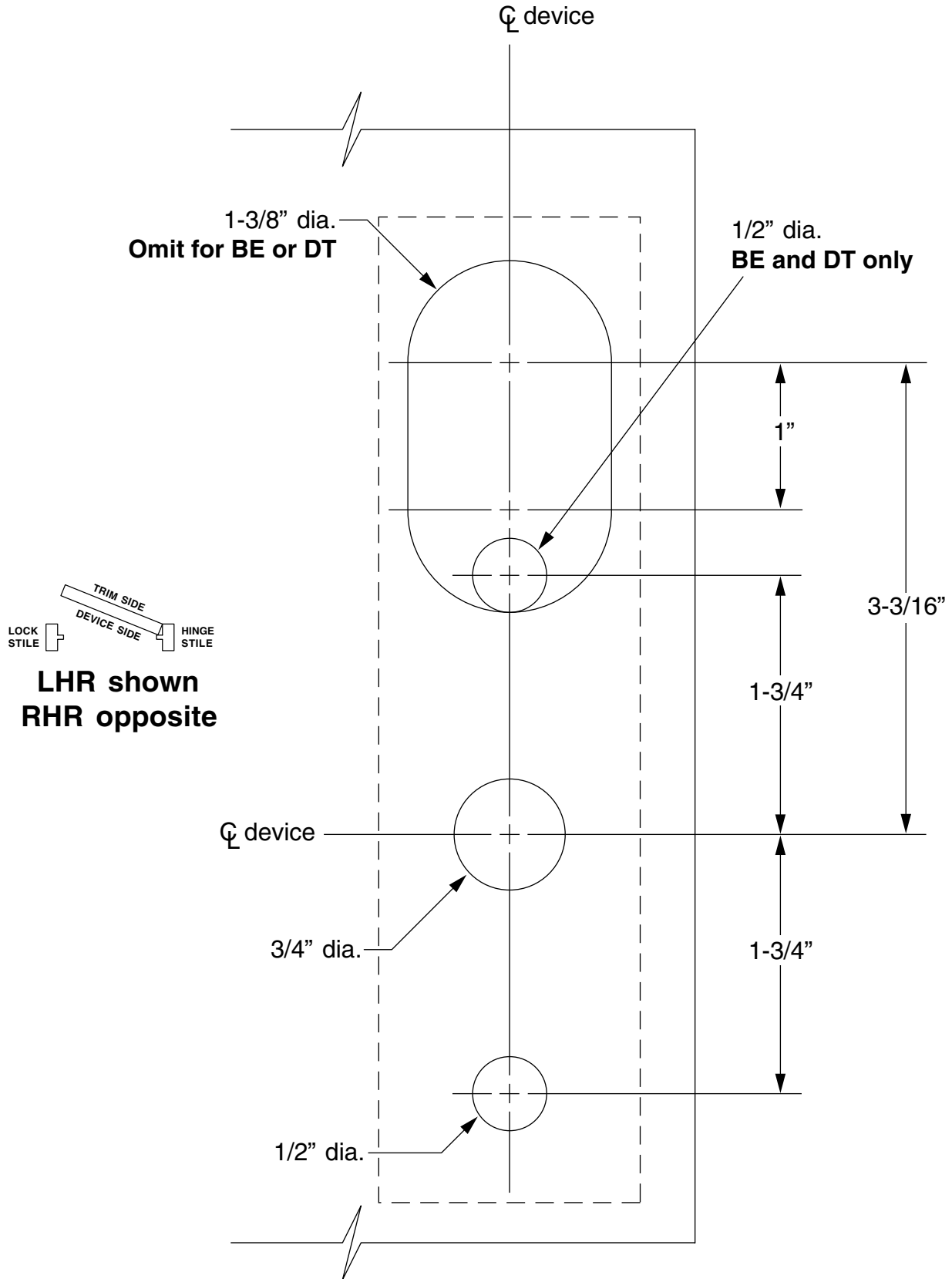
**6a** Install tailpiece guide in device brushing.



**6b** Install control and device on door using four mounting screws as shown. See device instructions for complete device installation requirements.



**Outside face of door  
(not to scale)**



**Inside face of door  
(not to scale)**

