




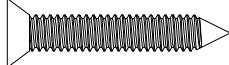
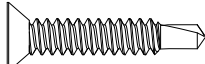
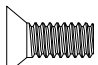
44423

## SC60A Series

FALCON®

Installation Instructions

## ALL PLATES

FASTENERS		DOOR / FRAME	DRILL SIZES
PLATE	 1/4-20 machine	METAL	Drill: #7 Tap: 1/4-20
	 #14 wood	WOOD	1/8"
	 self-reaming, & tapping (SRT)	METAL	1/8"
CLOSER BODY	 1/4-20 machine	PLATE	N/A

**⚠ CAUTION ⚠**

Improper installation or regulation may result in personal injury or property damage. Follow all instructions carefully. For questions, call Falcon at: 1-877-671-7011

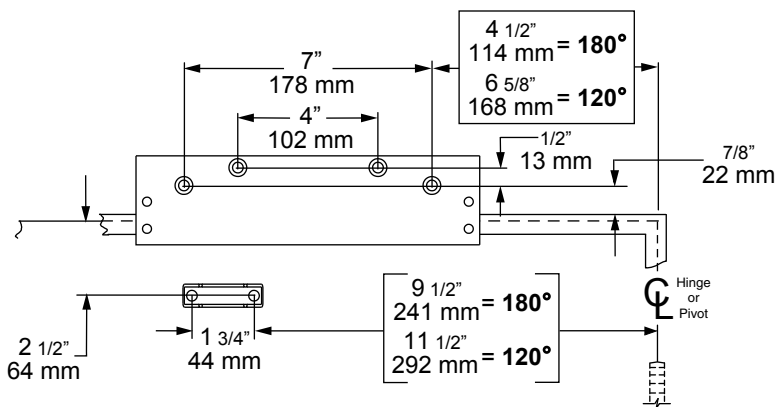
**⚠ ADVERTENCIA ⚠**

Una instalación o un ajuste incorrectos pueden resultar en daño personal o material. Siga bien todas las instrucciones. Para más informaciones, llama a Falcon al: 1-877-671-7011

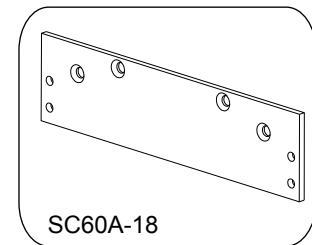
**⚠ DANGER ⚠**

Une installation ou un réglage inadéquats peuvent entraîner des blessures ou des dommages. Veuillez suivre toutes les instructions avec soin. Pour plus de renseignements, composez le: 1-877-671-7011

**SC60A Regular Arm (TOP JAMB) DROP PLATE PERMITS 180° MAXIMUM OPENING**



**PUSH SIDE MOUNT ON: SC60A-18 DROP PLATE**

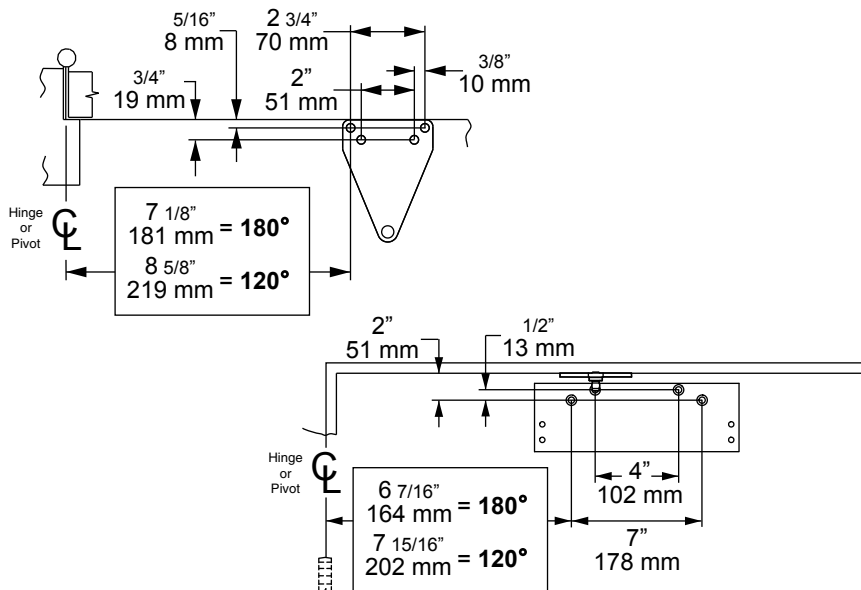


**General Notes:**

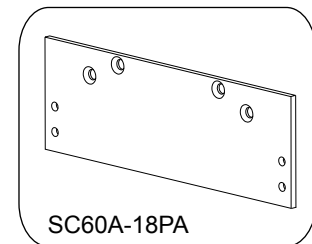
1. Use Standard instruction sheet for installation sequence and closer adjustments.
2. Backcheck faces away from the hinge edge.
3. Use shorter machine screws to attach cylinder to drop plate.

RIGHT HAND DOOR ILLUSTRATED. Same dimensions apply for Left Hand Door measured from hinge side.

**SC60A Regular Arm (PARALLEL ARM DOOR MOUNT) DROP PLATE PERMITS 180° MAXIMUM OPENING, BUTT SIZE 5X5 MAXIMUM**



**PUSH SIDE MOUNT ON: SC60A-18PA DROP PLATE**



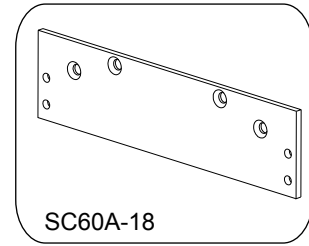
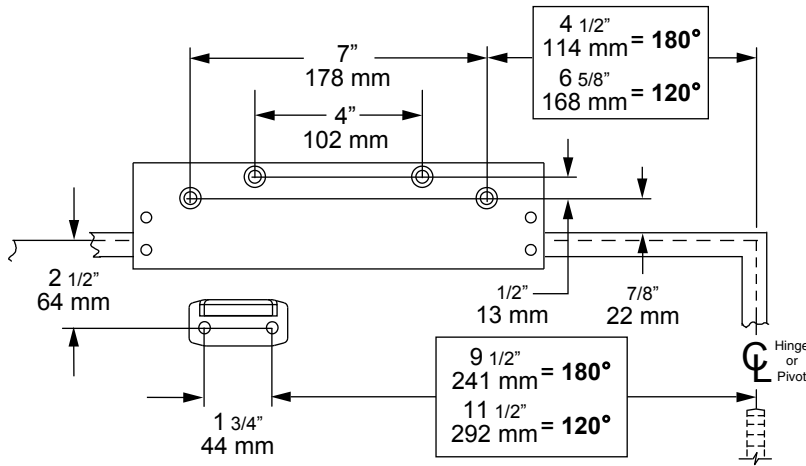
**General Notes:**

1. Use Standard instruction sheet for installation sequence and closer adjustments.
2. Backcheck faces toward the hinge edge.
3. Use shorter machine screws to attach cylinder to drop plate.

LEFT HAND DOOR ILLUSTRATED. Same dimensions apply for Right Hand Door measured from hinge side.

**SC60A Hold-Open Arm (TOP JAMB) DROP PLATE  
PERMITS 180° MAXIMUM OPENING**

**PUSH SIDE MOUNT ON:  
SC60A-18 DROP PLATE**



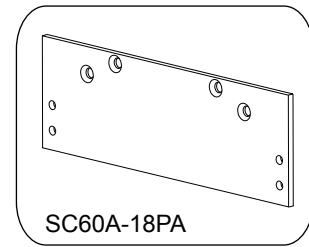
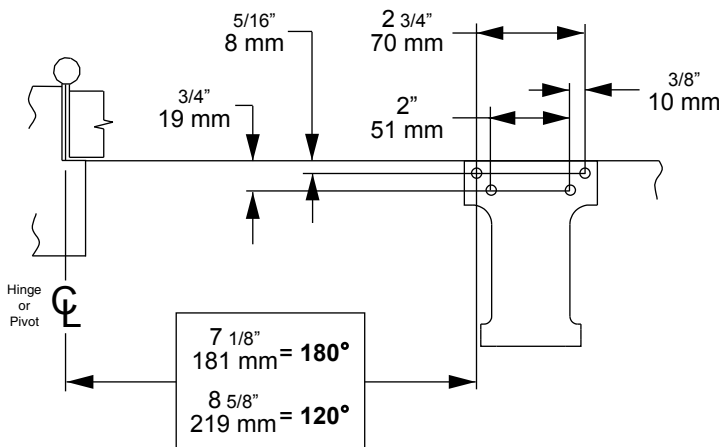
- General Notes:
1. Use Standard instruction sheet for installation sequence and closer adjustments.
  2. Backcheck faces away from the hinge edge.
  3. Use shorter machine screws to attach cylinder to drop plate.

RIGHT HAND DOOR ILLUSTRATED. Same dimensions apply for Left Hand Door measured from hinge side.

**SEE FIRST PAGE FOR FASTENERS & CAUTION**

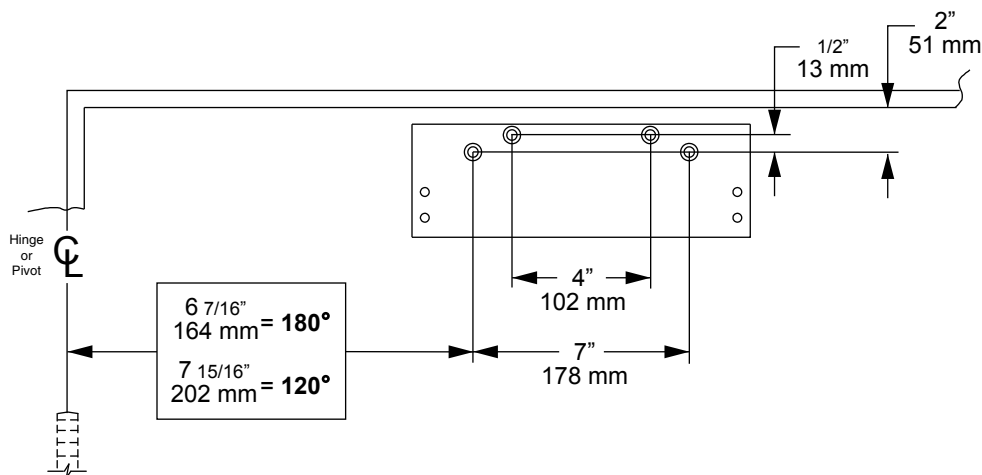
**SC60A Hold-Open Arm (PARALLEL ARM DOOR MOUNT) DROP PLATE  
PERMITS 180° MAXIMUM OPENING, BUTT SIZE 5X5 MAXIMUM**

**PUSH SIDE MOUNT ON:  
SC60A-18PA DROP PLATE**



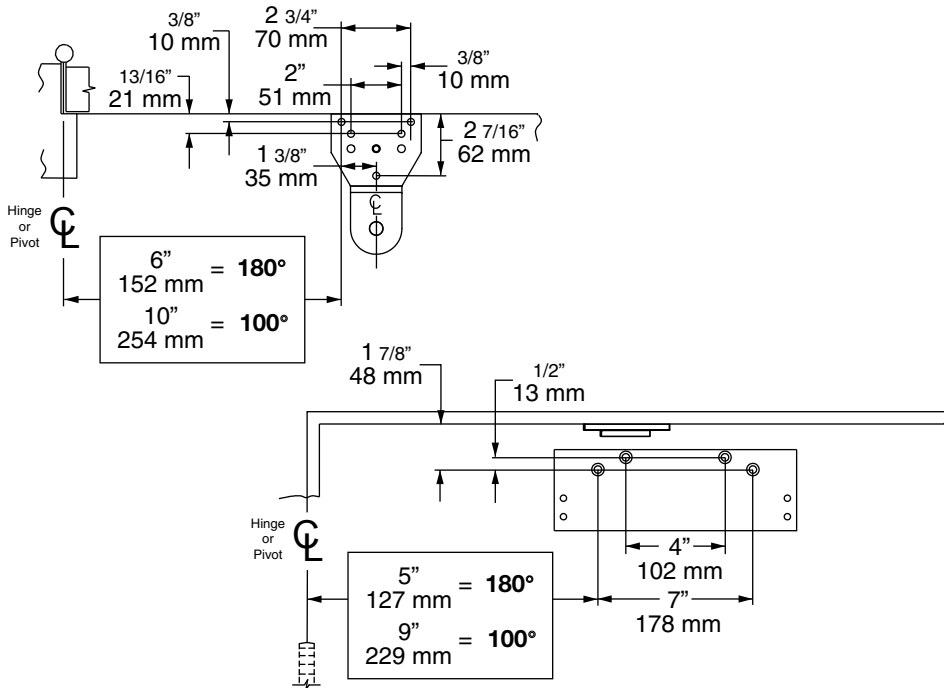
- General Notes:
1. Use Standard instruction sheet for installation sequence and closer adjustments.
  2. Backcheck faces toward the hinge edge.
  3. Use shorter machine screws to attach cylinder to drop plate.

LEFT HAND DOOR ILLUSTRATED. Same dimensions apply for RIGHT Hand Door measured from hinge side.

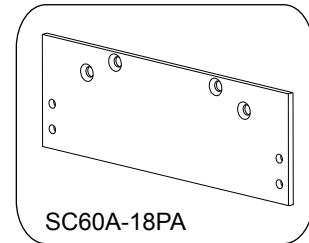


**SEE FIRST PAGE FOR FASTENERS & CAUTION**

**SC60A Heavy Duty Arm (PARALLEL ARM DOOR MOUNT) DROP PLATE  
PERMITS 180° MAXIMUM OPENING, BUTT SIZE 5x5 MAXIMUM**



**PUSH SIDE MOUNT ON:  
SC60A-18PA DROP PLATE**



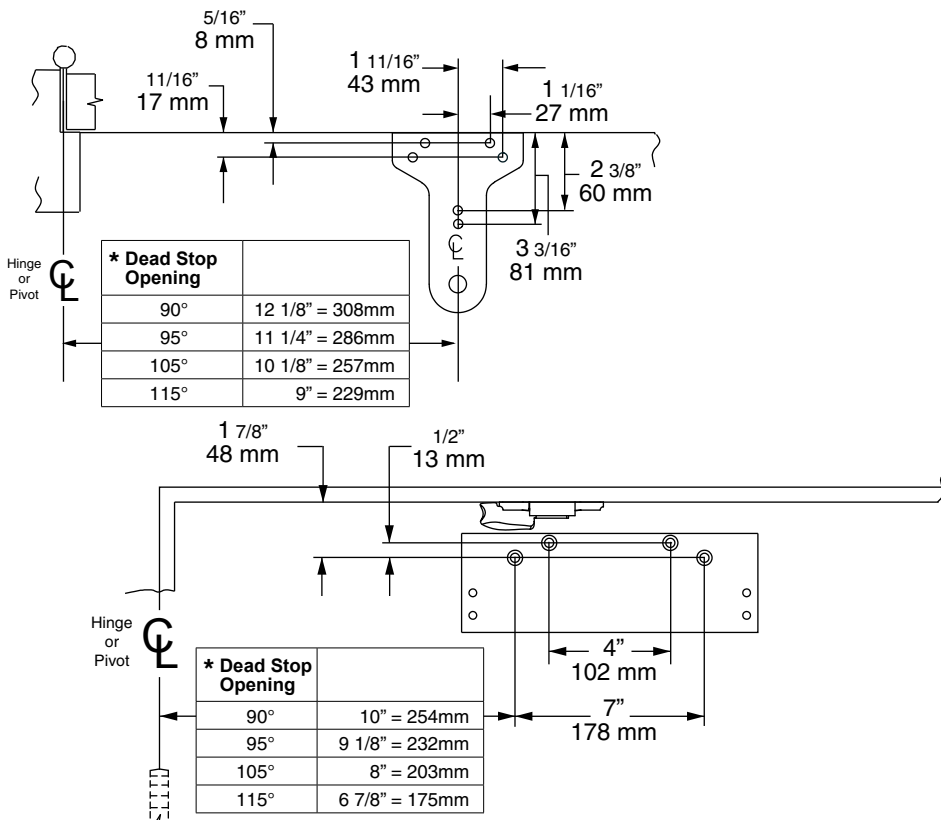
**General Notes:**

1. Use Heavy Duty instruction sheet for installation sequence and closer adjustments.
2. Backcheck faces toward the hinge edge.
3. Use shorter machine screws to attach cylinder to drop plate.

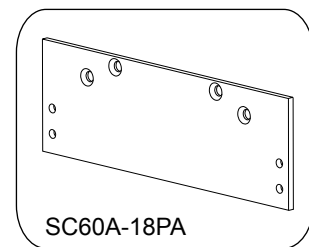
LEFT HAND DOOR ILLUSTRATED. Same dimensions apply for Right Hand Door measured from hinge side.

**SEE FIRST PAGE FOR FASTENERS & CAUTION**

**SC60A Spring-N-Stop (or w/ SNS Hold-Open) Arm (PARALLEL ARM DOOR MOUNT) DROP PLATE  
PERMITS 115° MAXIMUM OPENING, BUTT SIZE 5x5 MAXIMUM**



**PUSH SIDE MOUNT ON:  
SC60A-18PA DROP PLATE**



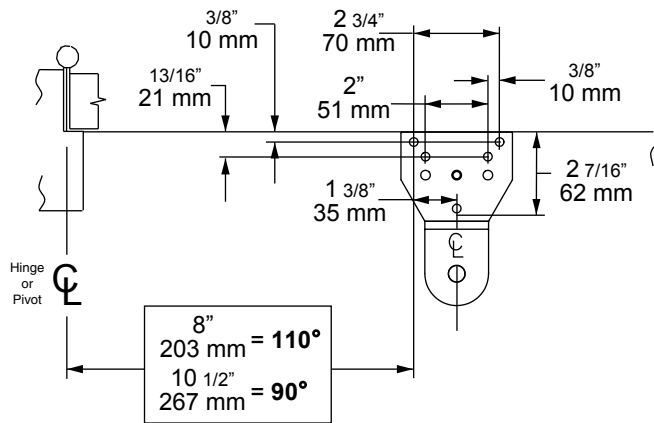
**General Notes:**

1. Use Spring-N-Stop instruction sheet for installation sequence and closer adjustments.
2. Backcheck faces toward the hinge edge.
- \* 3. Hold-open point is 5" less than dead stop opening.
4. Use shorter machine screws to attach cylinder to drop plate.

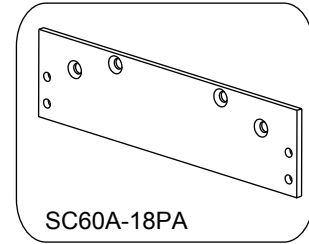
LEFT HAND DOOR ILLUSTRATED. Same dimensions apply for Right Hand Door measured from hinge side.

**SEE FIRST PAGE FOR FASTENERS & CAUTION**

**SC60A Dead Stop (or with DS Hold-Open) Arm (PARALLEL ARM DOOR MOUNT) DROP PLATE PERMITS 110° MAXIMUM OPENING, BUTT SIZE 5x5 MAXIMUM**



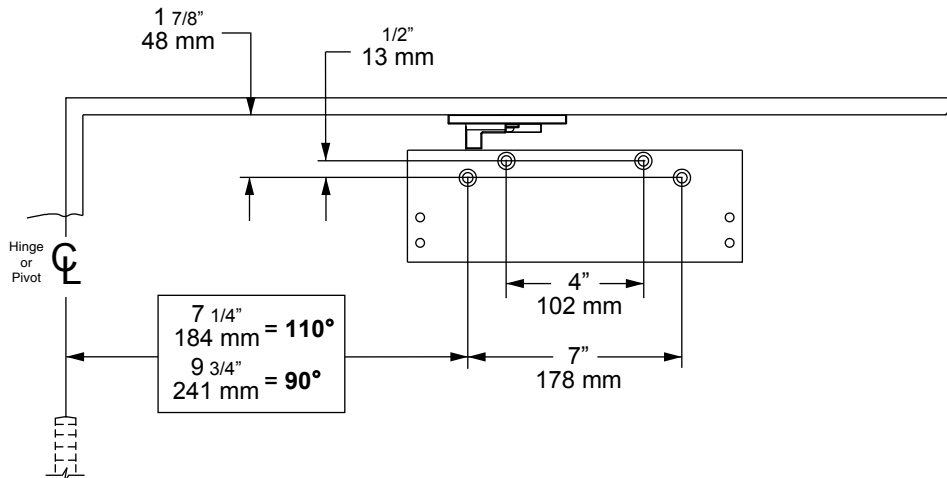
**PUSH SIDE MOUNT ON:  
SC60A-18PA DROP PLATE**



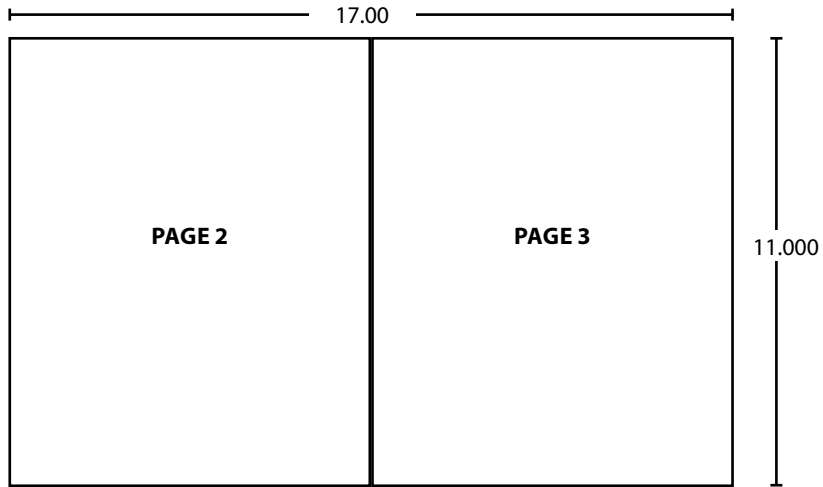
**General Notes:**

1. Use Dead Stop & Dead Stop Hold-Open instruction sheet for installation sequence and closer adjustments.
2. Backcheck faces toward the hinge edge.
3. Hold-open point is 4° less than dead stop point.
4. Use shorter machine screws to attach cylinder to drop plate.

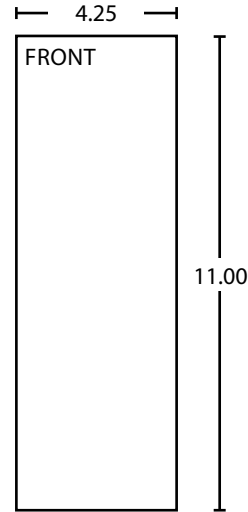
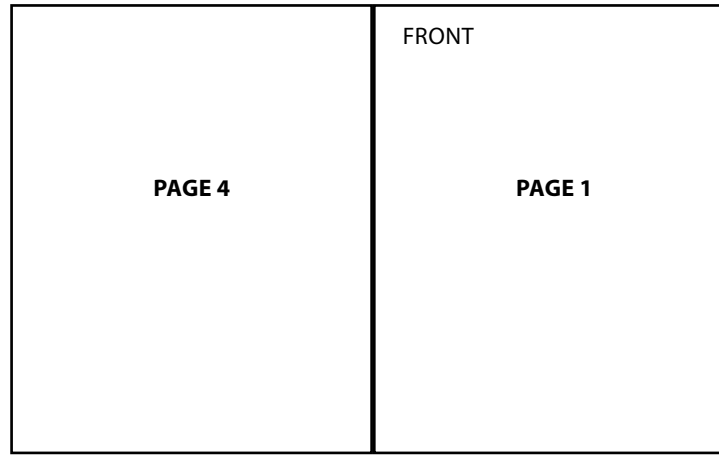
LEFT HAND DOOR ILLUSTRATED. Same dimensions apply for RIGHT Hand Door measured from hinge side.



**SEE FIRST PAGE FOR FASTENERS & CAUTION**



BEGINNING SHEET



FOLDED SHEET

<b>Additional Notes:</b>
1. None

Revision History						Revision Description:				
B	C	D	E	F	G					
N/A	N/A	N/A	N/A	N/A	043812					
Material						Edited By	Approved By	EC Number	Release Date	
White Paper						N. Wilson	M. Roberts	070781	11-18-16	
Notes						Title				
1. printed two sides						SC60A Series Drop Plate Instruction Sheet				
2. printed black						Creation Date	Number		Revision	
3. tolerance $\pm .13$						11-18-16	44423		A	
4. printed in country may vary						Created By	Activity			
5. drawings not to scale						N/A	3899 Hancock Expwy			
						Software: InDesign CS6	Security, CO 80911		© Allegion 2016	