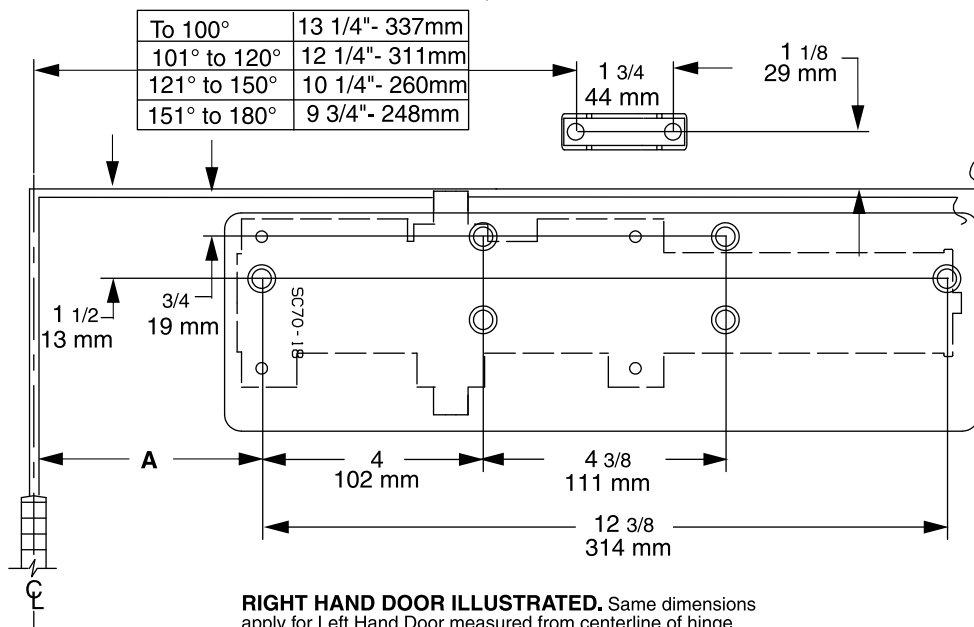
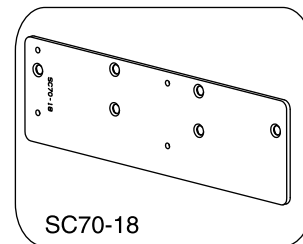


SC 71 PULL SIDE (HINGE SIDE DOOR MOUNT) BACK PLATE PERMITS 180° MAX. OPENING, BUTT SIZE 5x5 MAX.



RIGHT HAND DOOR ILLUSTRATED. Same dimensions apply for Left Hand Door measured from centerline of hinge.

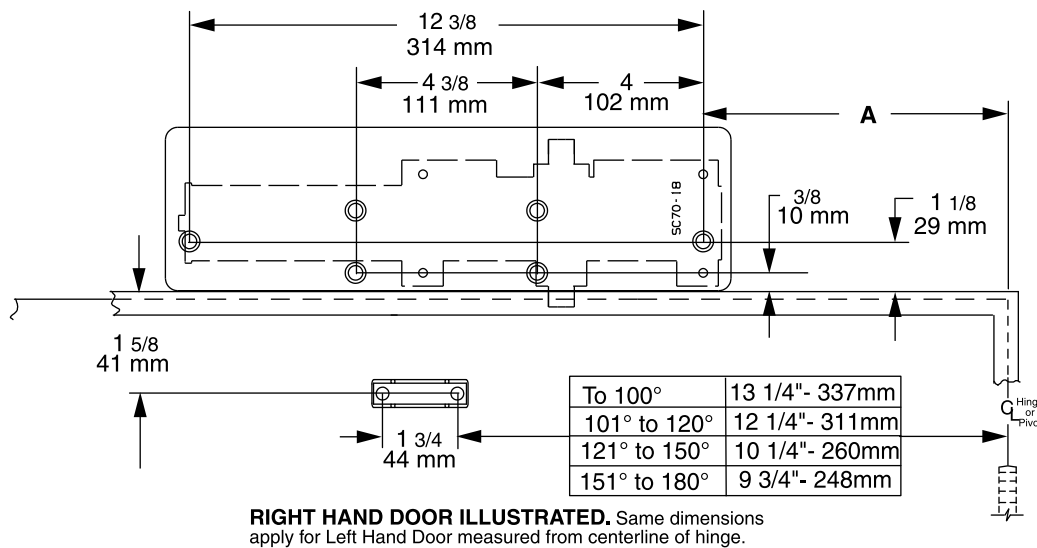
PULL SIDE MOUNT ON: SC70-18 BACK PLATE



General Notes:
1. Use Standard instruction sheet for installation sequence and closer adjustments.

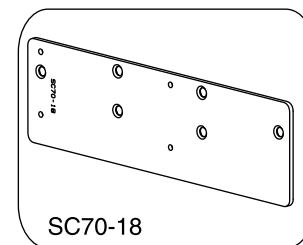
| OPENING | A |
|--------------|----------------|
| To 100° | 7 5/8" - 194mm |
| 101° to 120° | 6 5/8" - 168mm |
| 121° to 150° | 4 5/8" - 117mm |
| 151° to 180° | 4 1/8" - 105mm |

SC 71 PUSH SIDE (TOP JAMB) BACK PLATE PERMITS 180° MAXIMUM OPENING



RIGHT HAND DOOR ILLUSTRATED. Same dimensions apply for Left Hand Door measured from centerline of hinge.

PUSH SIDE MOUNT ON: SC70-18 BACK PLATE



General Notes:
1. Use Standard instruction sheet for installation sequence and closer adjustments.

| OPENING | A |
|--------------|----------------|
| To 100° | 7 5/8" - 194mm |
| 101° to 120° | 6 5/8" - 168mm |
| 121° to 150° | 4 5/8" - 117mm |
| 151° to 180° | 4 1/8" - 105mm |

PLATE FASTENERS

| | DOOR / FRAME | DRILL-SIZES |
|-------------|--------------|--------------------------|
| PLATE | METAL | drill: #7 tap: 1/4-20 |
| | WOOD | 1/8" |
| CLOSER BODY | PLATE | N/A |

Customer Service 1-877-671-7011 Servicio al cliente Service à la clientèle www.allegion.com/us

CAUTION
IMPROPER INSTALLATION OR REGULATION MAY RESULT IN PERSONAL INJURY OR PROPERTY DAMAGE. FOLLOW ALL INSTRUCTIONS CAREFULLY. FOR QUESTIONS, CALL FALCON AT 1-877-671-7011

ADVERTENCIA
Una instalación o un ajuste incorrectos pueden resultar en daño personal o material. Siga bien todas las instrucciones. para más informaciones, llama a lcn al 1-877-671-7011

DANGER
Une installation ou un réglage inadéquats peuvent entraîner des blessures ou des dommages. Veuillez suivre toutes les instructions avec soin. Pour plus de renseignements, composez le 1-877-671-7011

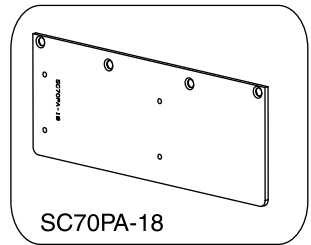
FALCON

ALLEGION

© Allegion 2014
Printed in U.S.A.
42996 Rev. 02/14-d

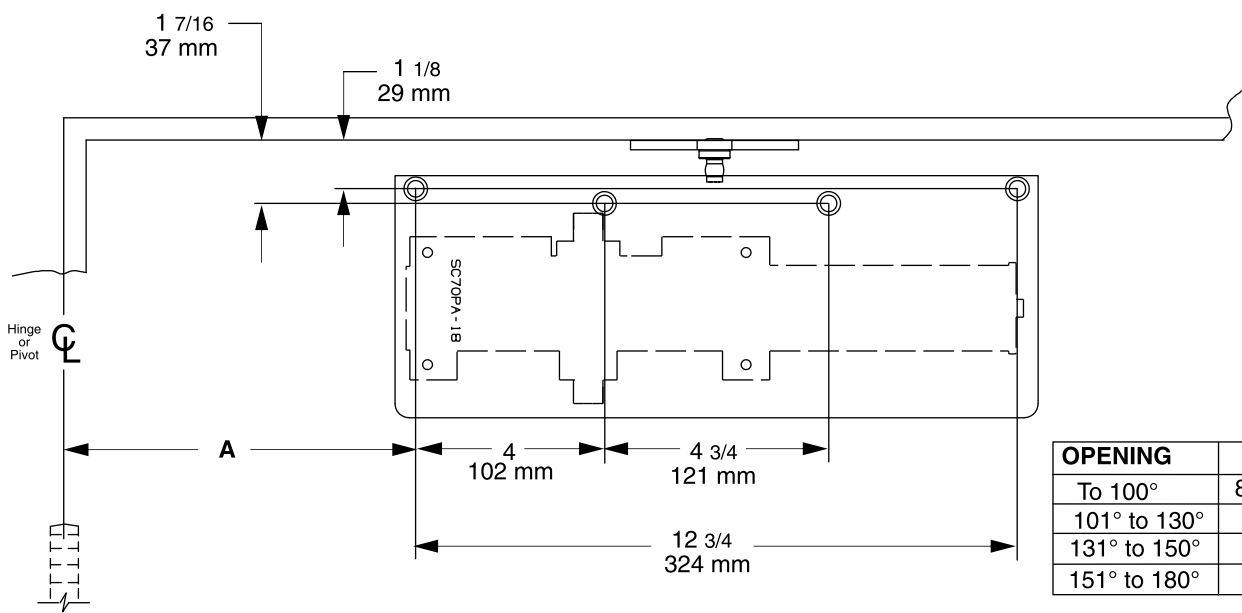
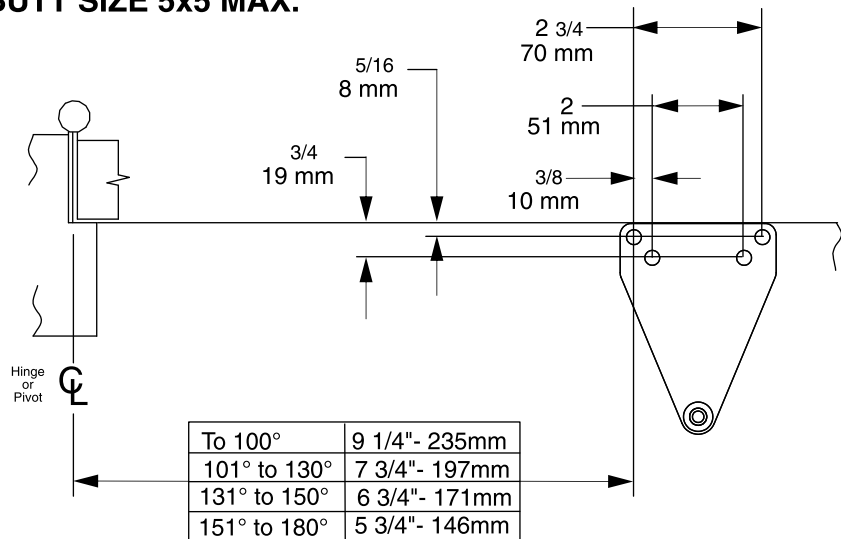
SC 71 PUSH SIDE (PA DOOR MOUNT) DROP PLATE PERMITS 180° MAX. OPENING, BUTT SIZE 5x5 MAX.

**PUSH SIDE MOUNT ON:
SC70PA-18 DROP PLATE**



SC70PA-18

General Notes:
1. Use Standard instruction sheet for installation sequence and closer adjustments.



LEFT HAND DOOR ILLUSTRATED. Same dimensions apply for Right Hand Door measured from centerline of hinge.

| PLATE FASTENERS | | DOOR / FRAME | DRILL-SIZES |
|-----------------|----------------|--------------|--------------------------|
| PLATE | 1/4-20 machine | METAL | drill: #7 tap: 1/4-20 |
| | #14 wood | WOOD | 1/8" |
| CLOSER BODY | 1/4-20 machine | PLATE | N/A |

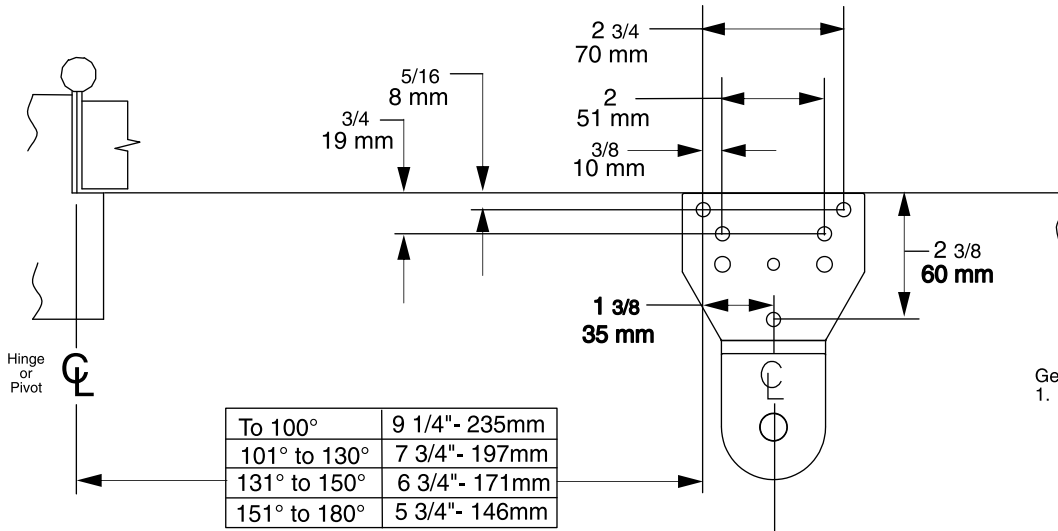
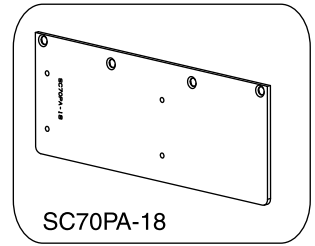
CAUTION
IMPROPER INSTALLATION OR REGULATION MAY RESULT IN PERSONAL INJURY OR PROPERTY DAMAGE. FOLLOW ALL INSTRUCTIONS CAREFULLY. FOR QUESTIONS, CALL FALCON AT 1-877-671-7011

ADVERTENCIA
Una instalación o un ajuste incorrectos pueden resultar en daño personal o material. Siga bien todas las instrucciones. para más informaciones, llame a Falcon al 1-877-671-7011

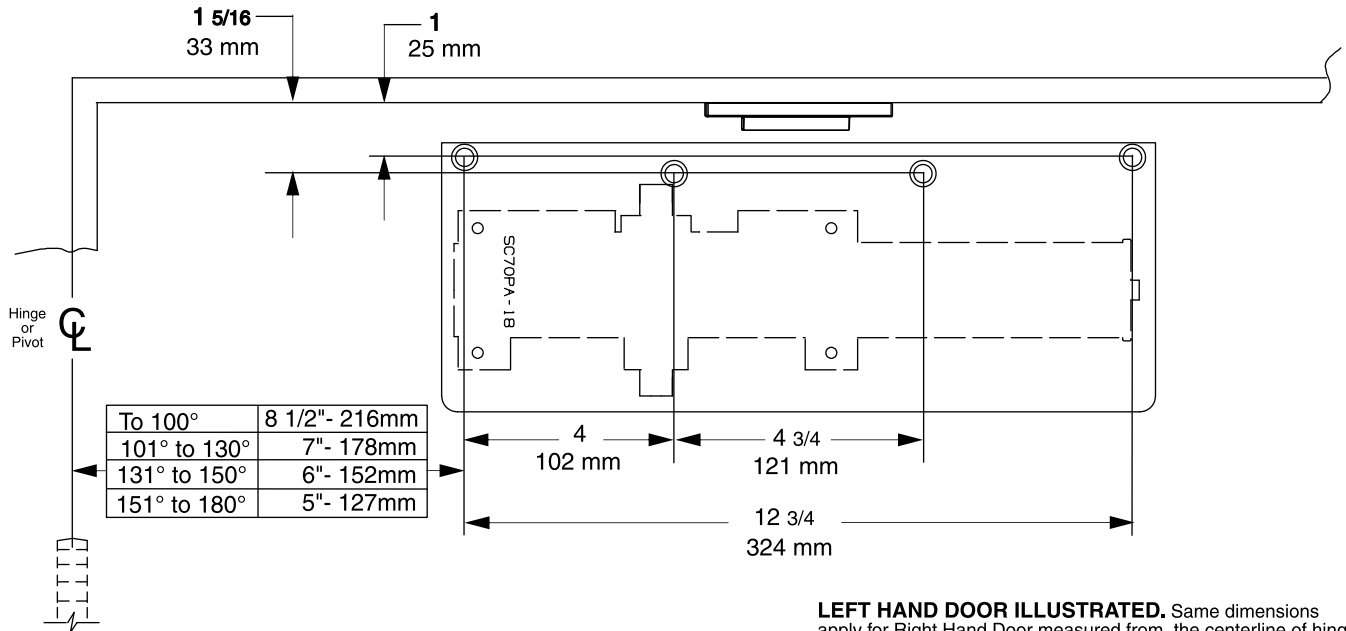
DANGER
Une installation ou un réglage inadéquats peuvent entraîner des blessures ou des dommages. Veuillez suivre toutes les instructions avec soin. Pour plus de renseignements, composez le 1-877-671-7011

SC 71 Heavy Duty PUSH SIDE (PA DOOR MOUNT) DROP PLATE PERMITS 180° MAX. OPENING, BUTT SIZE 5x5 MAX.

**PUSH SIDE MOUNT ON:
SC70PA-18 DROP PLATE**



General Notes:
1. Use Heavy Duty instruction sheet for installation sequence and closer adjustments.



LEFT HAND DOOR ILLUSTRATED. Same dimensions apply for Right Hand Door measured from the centerline of hinge.

| PLATE FASTENERS | | DOOR / FRAME | DRILL-SIZES |
|-----------------|----------------|--------------|--------------------------|
| PLATE | 1/4-20 machine | METAL | drill: #7 tap: 1/4-20 |
| | #14 wood | WOOD | 1/8" |
| CLOSER BODY | 1/4-20 machine | PLATE | N/A |

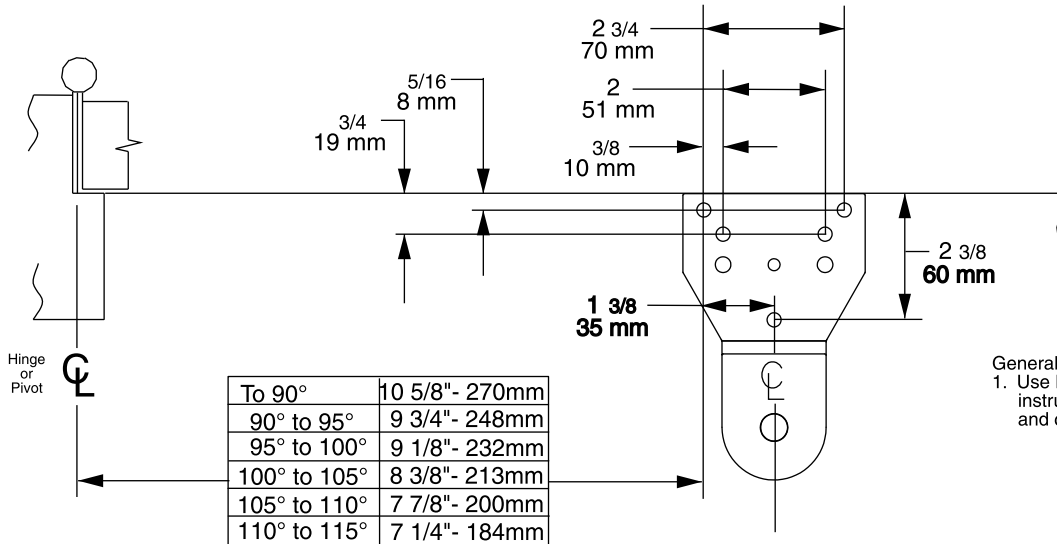
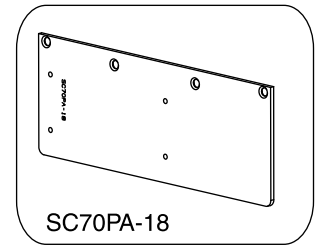
CAUTION
IMPROPER INSTALLATION OR REGULATION MAY RESULT IN PERSONAL INJURY OR PROPERTY DAMAGE. FOLLOW ALL INSTRUCTIONS CAREFULLY. FOR QUESTIONS, CALL FALCON AT 1-877-671-7011

ADVERTENCIA
Una instalación o un ajuste incorrectos pueden resultar en daño personal o material. Siga bien todas las instrucciones. para más informaciones, llama a Falcon al 1-877-671-7011

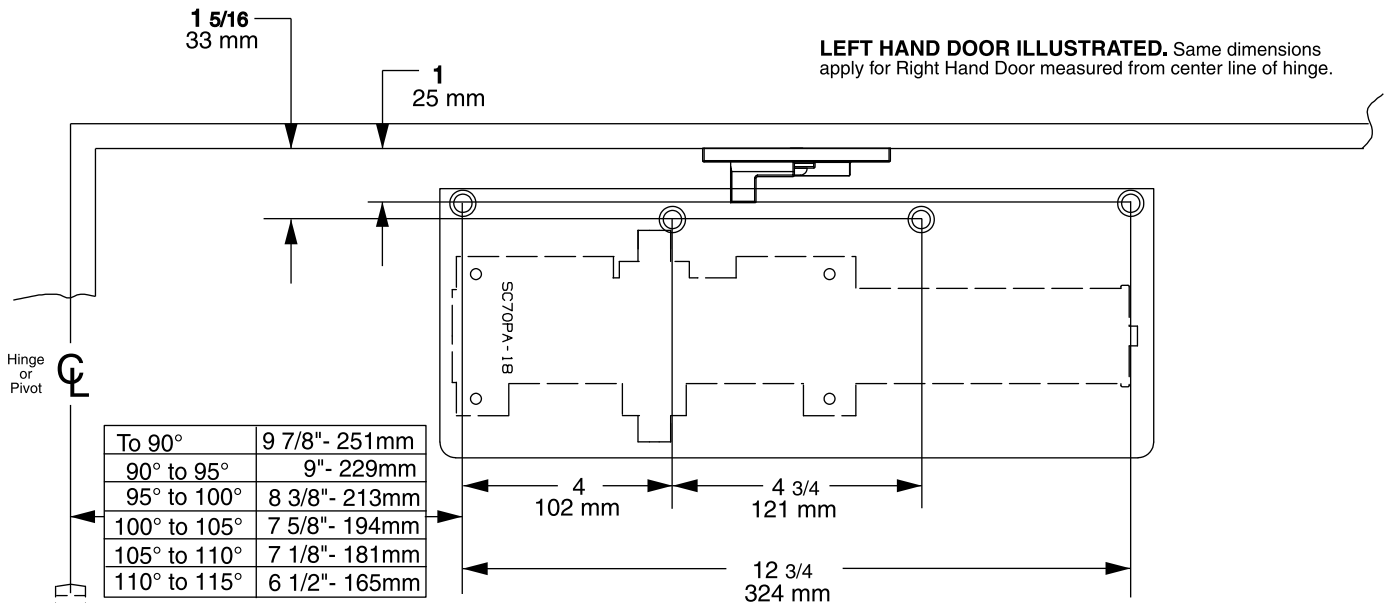
DANGER
Une installation ou un réglage inadéquats peuvent entraîner des blessures ou des dommages. Veuillez suivre toutes les instructions avec soin. Pour plus de renseignements, composez le 1-877-671-7011

SC 71 Dead Stop (or w/ DS Hold-open) PUSH SIDE (PA DOOR MOUNT) DROP PLATE PERMITS 115° MAX. OPENING, BUTT SIZE 5x5 MAX.

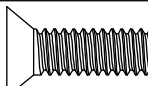
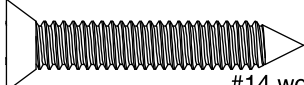
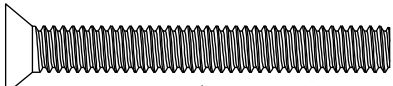
**PUSH SIDE MOUNT ON:
SC70PA-18 DROP PLATE**



General Notes:
1. Use Dead Stop & Dead Stop Hold Open instruction sheet for installation sequence and closer adjustments.



LEFT HAND DOOR ILLUSTRATED. Same dimensions apply for Right Hand Door measured from center line of hinge.

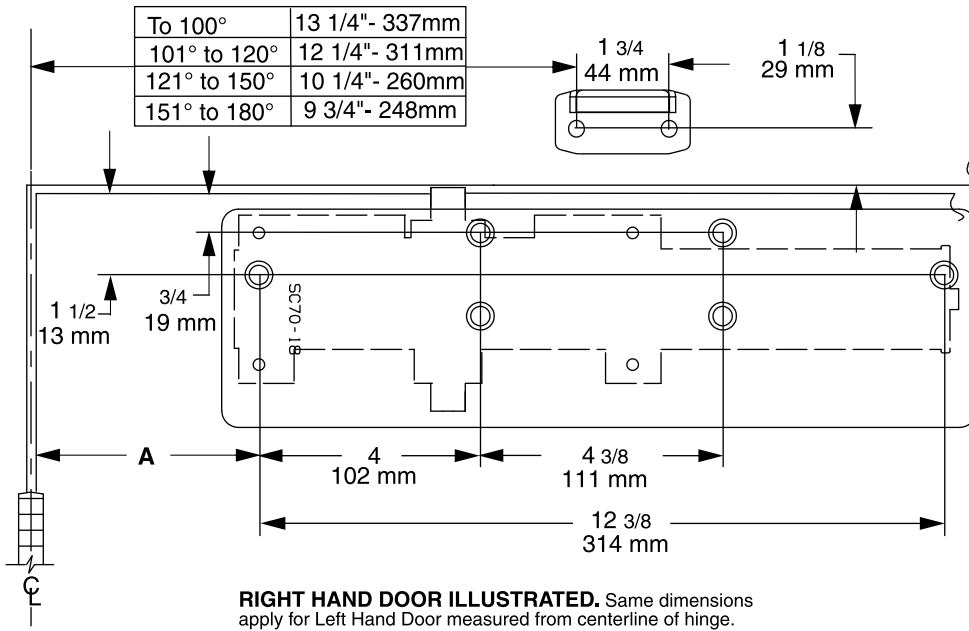
| PLATE FASTENERS | | DOOR / FRAME | DRILL-SIZES |
|-----------------|---|--------------|--------------------------|
| PLATE |  1/4-20 machine | METAL | drill: #7 tap: 1/4-20 |
| |  #14 wood | WOOD | 1/8" |
| CLOSER BODY |  1/4-20 machine | PLATE | N/A |

CAUTION
IMPROPER INSTALLATION OR REGULATION MAY RESULT IN PERSONAL INJURY OR PROPERTY DAMAGE. FOLLOW ALL INSTRUCTIONS CAREFULLY. FOR QUESTIONS, CALL FALCON AT 1-877-671-7011

ADVERTENCIA
Una instalación o un ajuste incorrectos pueden resultar en daño personal o material. Siga bien todas las instrucciones. para más informaciones, llama a Falcon al 1-877-671-7011

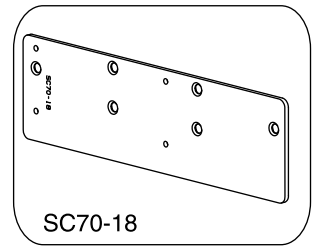
DANGER
Une installation ou un réglage inadéquats peuvent entraîner des blessures ou des dommages. Veuillez suivre toutes les instructions avec soin. Pour plus de renseignements, composez le 1-877-671-7011

SC 71 Hold-Open PULL SIDE (HINGE SIDE DOOR MOUNT) BACK PLATE PERMITS 180° MAX. OPENING, BUTT SIZE 5x5 MAX.



RIGHT HAND DOOR ILLUSTRATED. Same dimensions apply for Left Hand Door measured from centerline of hinge.

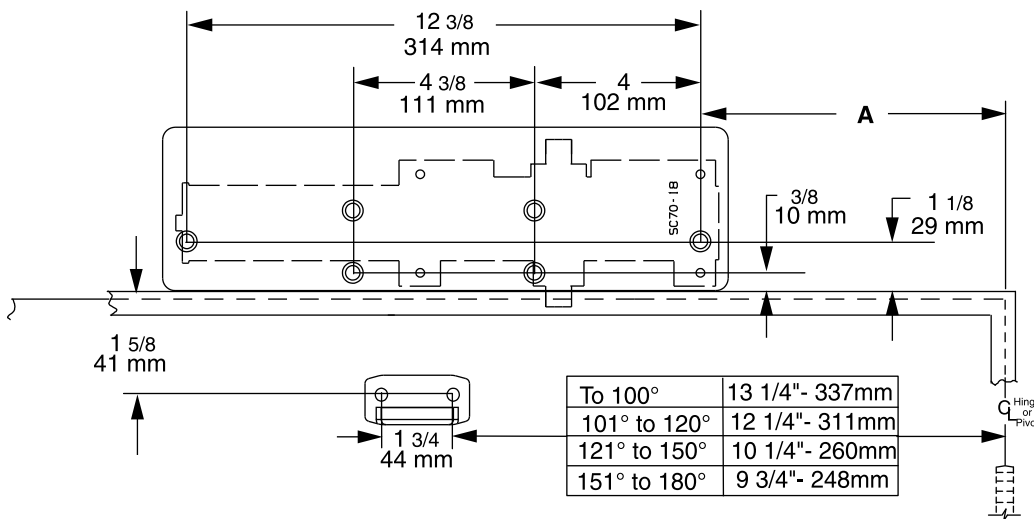
PULL SIDE MOUNT ON: SC70-18 BACK PLATE



General Notes:
 1. Use Standard instruction sheet for installation sequence and closer adjustments.

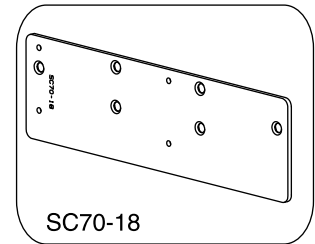
| OPENING | A |
|--------------|----------------|
| To 100° | 7 5/8" - 194mm |
| 101° to 120° | 6 5/8" - 168mm |
| 121° to 150° | 4 5/8" - 117mm |
| 151° to 180° | 4 1/8" - 105mm |

SC 71 Hold-Open PUSH SIDE (TOP JAMB) BACK PLATE PERMITS 180° MAXIMUM OPENING



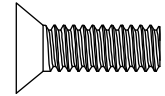
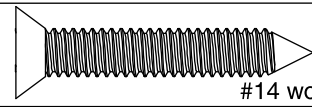
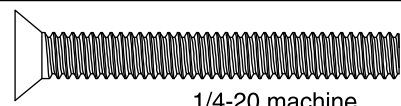
RIGHT HAND DOOR ILLUSTRATED. Same dimensions apply for Left Hand Door measured from centerline of hinge.

PUSH SIDE MOUNT ON: SC70-18 BACK PLATE



General Notes:
 1. Use Standard instruction sheet for installation sequence and closer adjustments.

| OPENING | A |
|--------------|----------------|
| To 100° | 7 5/8" - 194mm |
| 101° to 120° | 6 5/8" - 168mm |
| 121° to 150° | 4 5/8" - 117mm |
| 151° to 180° | 4 1/8" - 105mm |

| PLATE FASTENERS | | DOOR / FRAME | DRILL-SIZES |
|-----------------|--|--------------|--------------------------|
| PLATE |  1/4-20 machine | METAL | drill: #7 tap: 1/4-20 |
| |  #14 wood | WOOD | 1/8" |
| CLOSER BODY |  1/4-20 machine | PLATE | N/A |

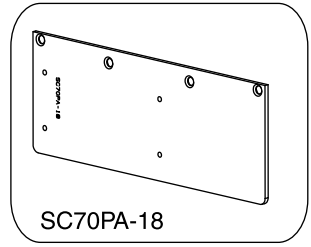
CAUTION
 IMPROPER INSTALLATION OR REGULATION MAY RESULT IN PERSONAL INJURY OR PROPERTY DAMAGE. FOLLOW ALL INSTRUCTIONS CAREFULLY. FOR QUESTIONS, CALL FALCON AT 1-877-671-7011

ADVERTENCIA
 Una instalación o un ajuste incorrectos pueden resultar en daño personal o material. Siga bien todas las instrucciones. para más informaciones, llama a Falcon al 1-877-671-7011

DANGER
 Une installation ou un réglage inadéquats peuvent entraîner des blessures ou des dommages. Veuillez suivre toutes les instructions avec soin. Pour plus de renseignements, composez le 1-877-671-7011

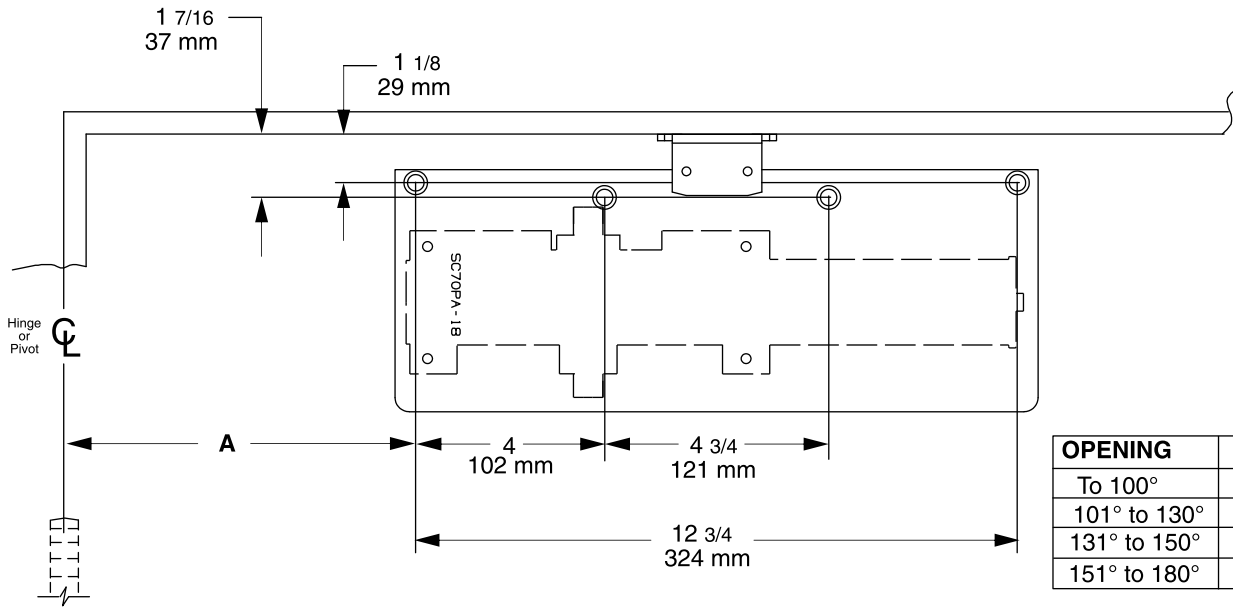
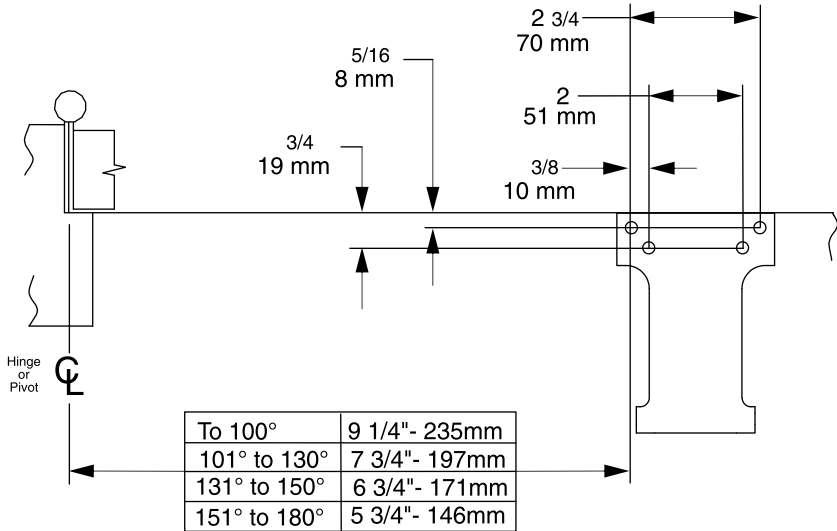
SC 71 Hold-Open PUSH SIDE (PA DOOR MOUNT) DROP PLATE PERMITS 180° MAX. OPENING, BUTT SIZE 5x5 MAX.

Hold-Open PUSH SIDE MOUNT ON: SC70PA-18 DROP PLATE



SC70PA-18

General Notes:
1. Use Standard instruction sheet for installation sequence and closer adjustments.



LEFT HAND DOOR ILLUSTRATED. Same dimensions apply for Right Hand Door measured from centerline of hinge.

| PLATE FASTENERS | | DOOR / FRAME | DRILL-SIZES |
|-----------------|----------------|--------------|--------------------------|
| PLATE | 1/4-20 machine | METAL | drill: #7 tap: 1/4-20 |
| | #14 wood | WOOD | 1/8" |
| CLOSER BODY | 1/4-20 machine | PLATE | N/A |

CAUTION
IMPROPER INSTALLATION OR REGULATION MAY RESULT IN PERSONAL INJURY OR PROPERTY DAMAGE. FOLLOW ALL INSTRUCTIONS CAREFULLY. FOR QUESTIONS, CALL FALCON AT 1-877-671-7011

ADVERTENCIA
Una instalación o un ajuste incorrectos pueden resultar en daño personal o material. Siga bien todas las instrucciones. para más informaciones, llama a Falcon al 1-877-671-7011

DANGER
Une installation ou un réglage inadéquats peuvent entraîner des blessures ou des dommages. Veuillez suivre toutes les instructions avec soin. Pour plus de renseignements, composez le 1-877-671-7011