

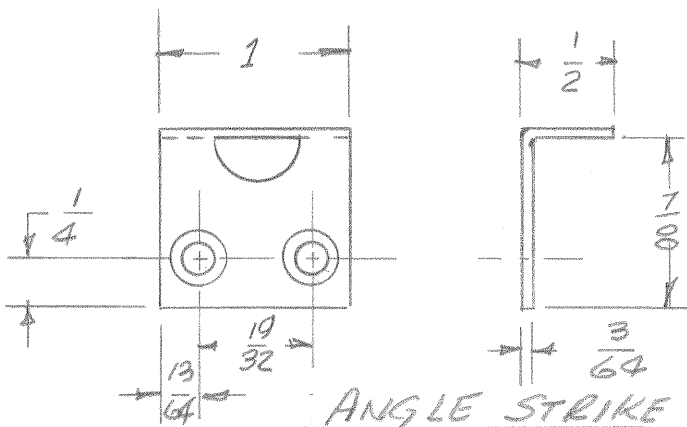
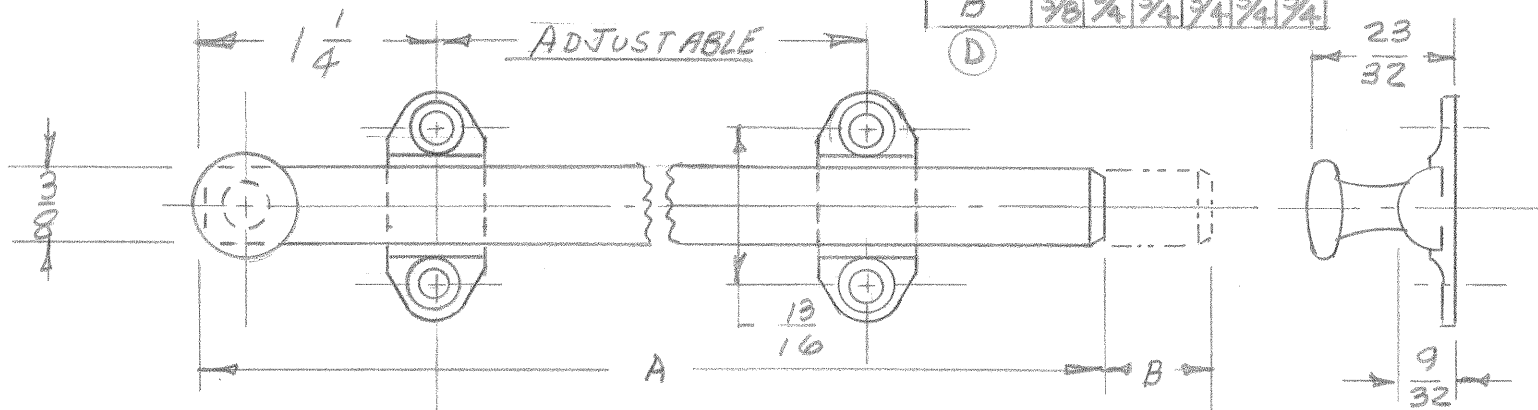
TEMPLATE DRAWING

SCREW DATA (B)

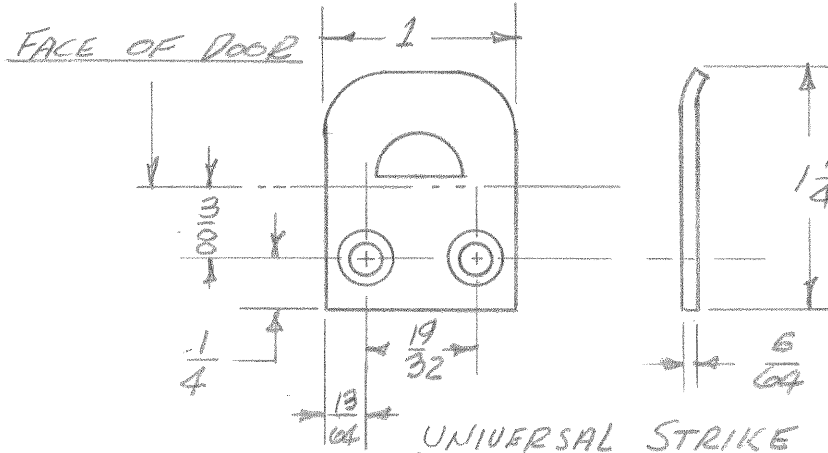
BOLT - $\frac{5}{8}$ " x 5 O.H. UC SMS, STRIKES - $\frac{5}{8}$ " x 5 F.H. UC SMS A.S. & U.S.
 FOR T.M.S APPLIC. ON REQUEST - $\frac{1}{2}$ " x 6 - 32 F.H. MS.

DWG No. 323E

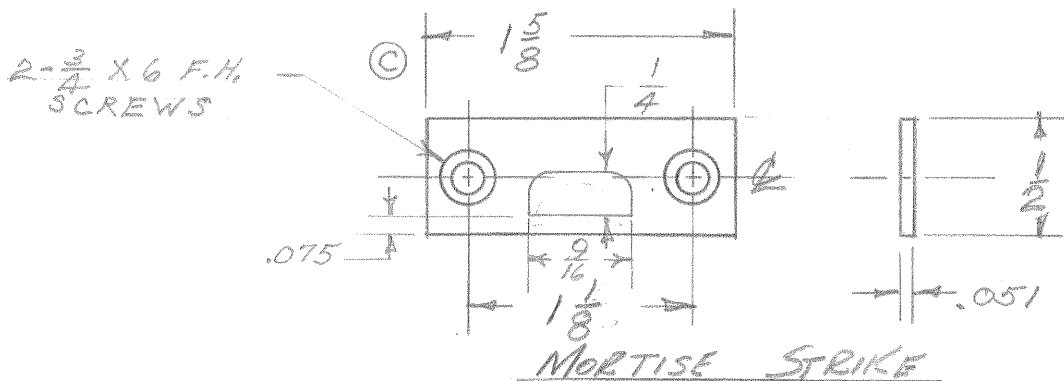
SIZE	2	3	4	6	9	12
A	$2\frac{1}{4}$	3	4	6	9	12
B	$\frac{3}{16}$	$\frac{3}{8}$	$\frac{3}{4}$	$\frac{3}{4}$	$\frac{3}{4}$	$\frac{3}{4}$



ANGLE STRIKE



UNIVERSAL STRIKE



MORTISE STRIKE

E	SCREWS WERE #5 WOOD	7/2/86.
D	$\frac{3}{8}$ WAS $\frac{1}{4}$, $\frac{3}{4}$ WAS $\frac{9}{16}$	12-13-77 PPK
043 SURFACE BOLT		
LETTER	CHANGE	DATE
A	2" SIZE ADDED L.C.	5-10-66
B	Changed Note	12/2/68 JPK
C	M. S. CHANGED RSL	11-1-71
F.C.B. 8-14-52 FULL SIZE		