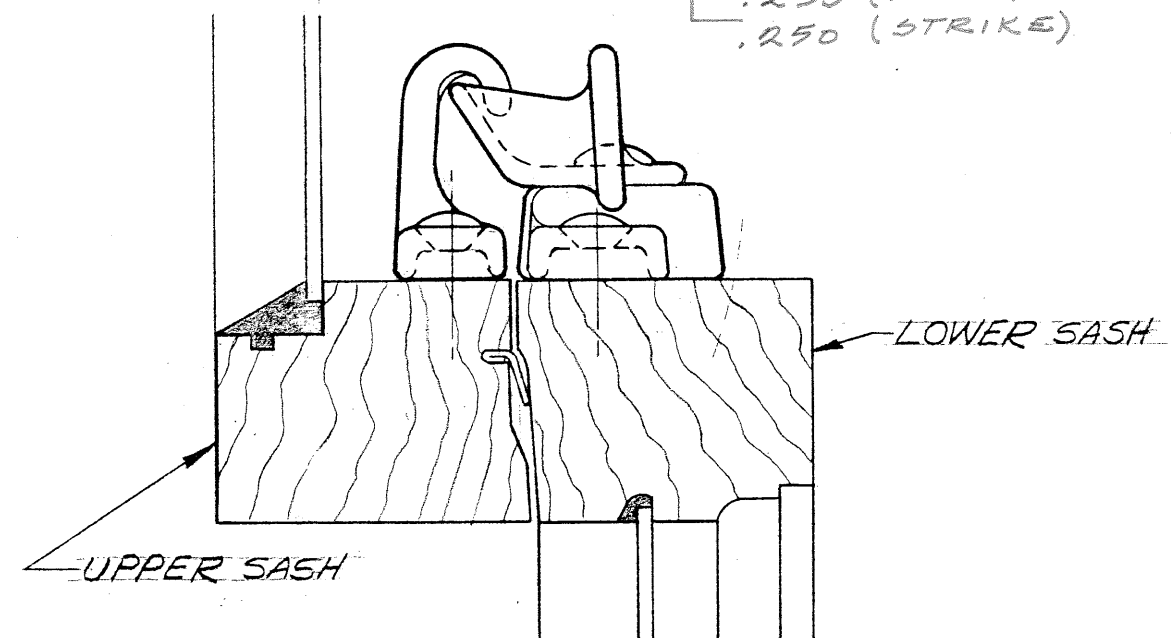
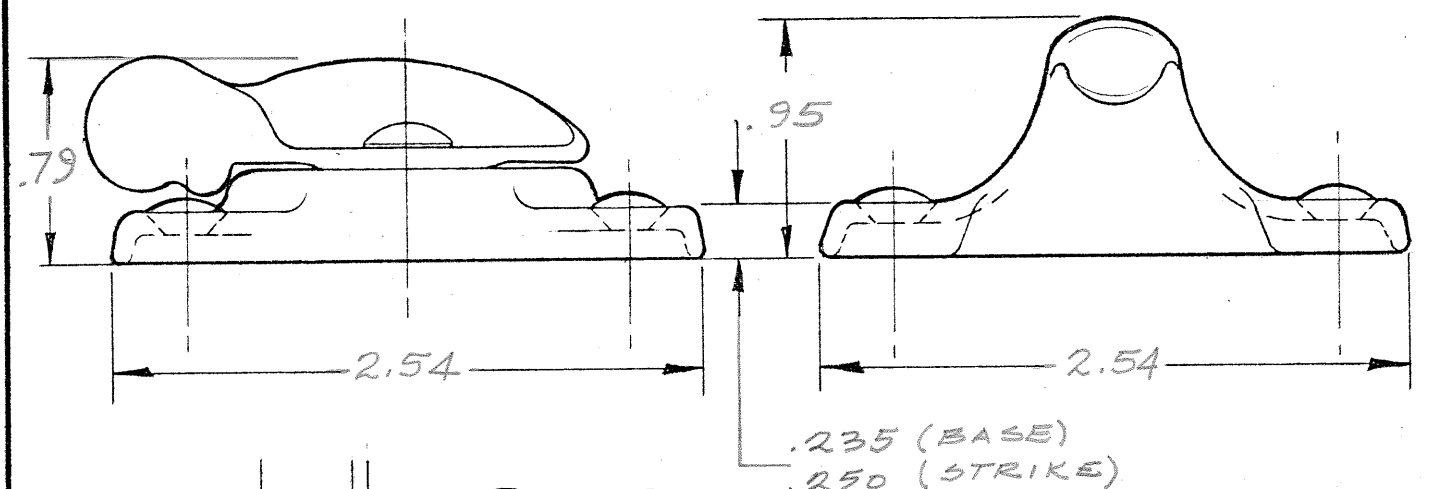
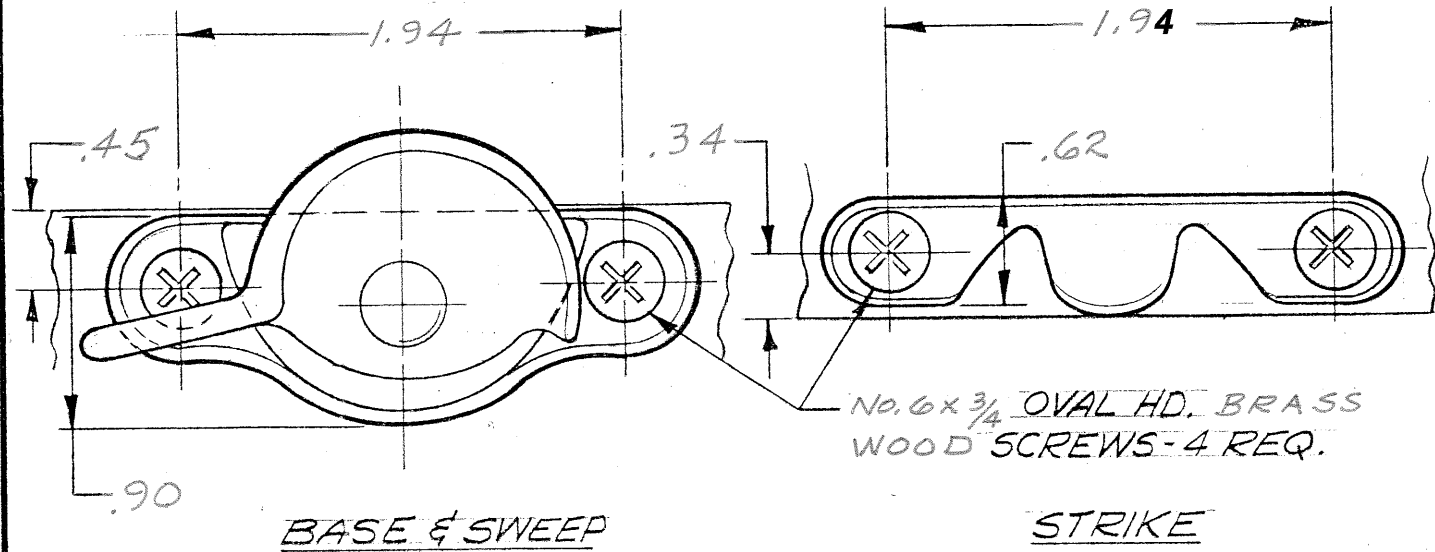


TEMPLATE DRAWING

DWG # 2253 **B**
Rev **B**, new drawing #
11/1/02



07MB SASH FASTENER

TEMPLATE NO. HB-07-107
DRAWN BY: FJH DATE: 6-5-91

IVES DIVISION
LEIGH PRODUCTS, INC.
P. O. BOX 1887, NEW HAVEN, CONN. 06508