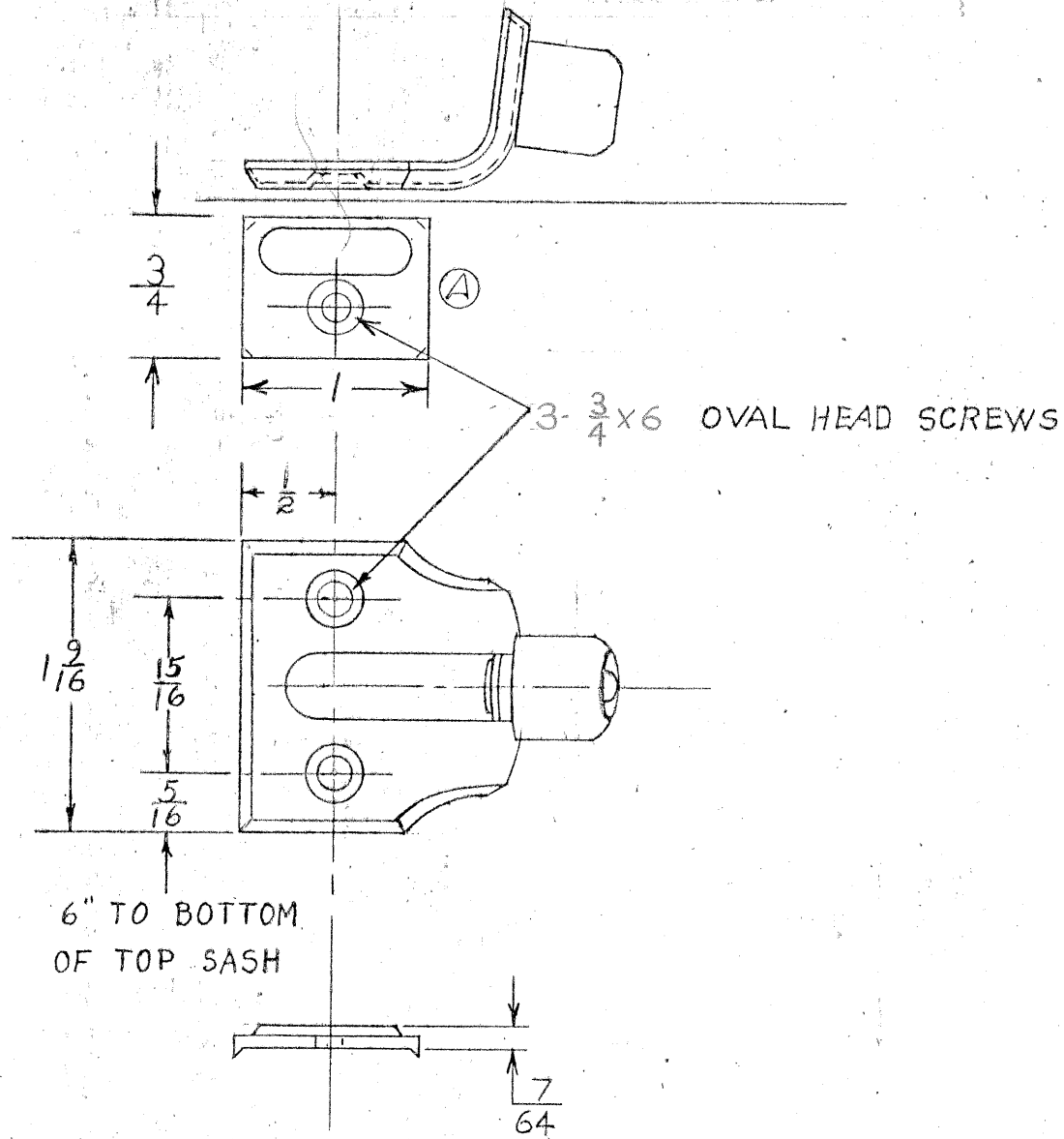


TEMPLATE DRAWING

DWG. NO. 263 A



				MATERIAL BRASS			PART NO. AND NAME OB WINDOW		
				DIMENSIONAL TOLERANCES UNLESS OTHERWISE SPECIFIED			VENTILATING LOCK		
C				XXX	XX	ANG.	DRAWN FCB	DATE 11-30-49	
B				±.010	±.020	±1°	APPROVED	DATE	
A	FROM OLD TO NEW STYLE STRIKE	6-30-62	RCK						
SYM.	DESCRIPTION	DATE	DWN.						
REVISIONS				NO. REQ'D		SCALE FULL		IVES DIVISION LEIGH PRODUCTS, INC. P. O. BOX 1887, NEW HAVEN, CONN. 06508	