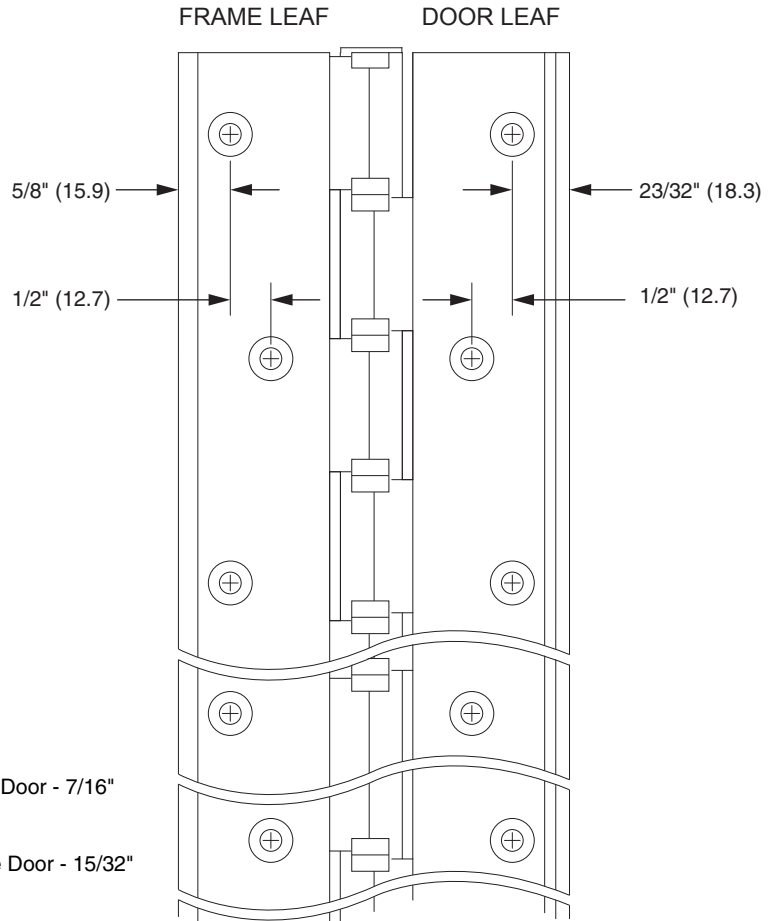


.313 (8) Square edge minimum clearance  
 .344 (8.7) Beveled edge minimum clearance



**Note: Total Door Undersizing**  
 Single Square Edge Door - 15/32"  
 Pair of Doors, each leaf, Square Edge Door - 7/16"  
 Single Beveled Edge Door - 1/2"  
 Pair of Doors, each leaf, Beveled Edge Door - 15/32"

**Vertical distance between holes**

	A	B	C	D	E	F	G
<b>Inch</b>	1"	2.75"	6"	8"	8.30"	9"	26"
<b>mm</b>	25.4	69.9	152.4	203.2	210.8	228.6	660.4



120" 715CS FULL MORTISE HALF WRAP  
 CONTINUOUS HINGE TEMPLATE



NOTE: DIMENSIONS IN ( ) ARE IN MILLIMETERS

TEMPLATE NUMBER: 24727117(B)

Date: 11-19-14