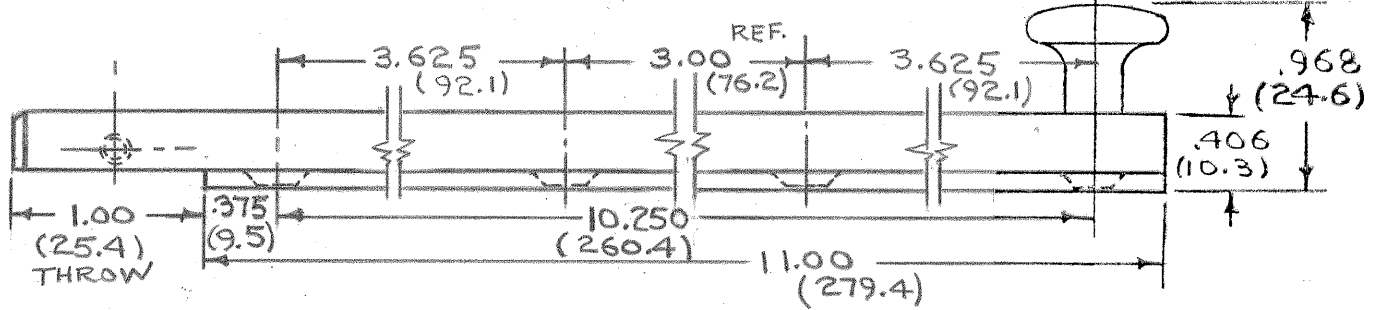
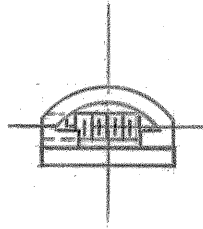
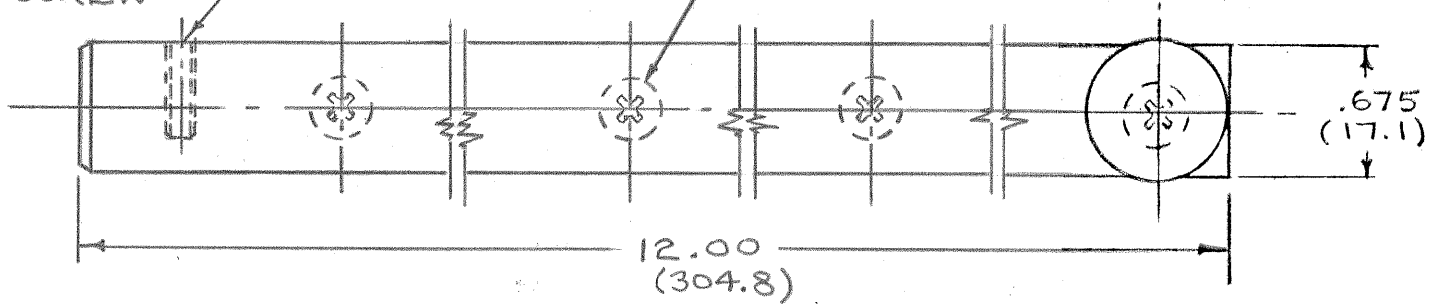


NOTE: METRIC DIMENSIONS IN PARENTHESIS (MM)

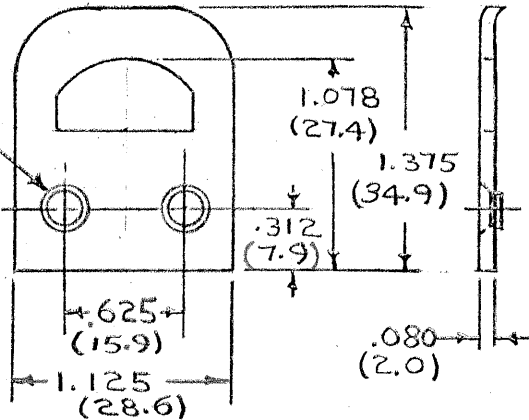
DO NOT SCALE

CONCEALED ATTACHING SCREWS
(4 / NO. 8 x 3/4 FH.P.H. SMS)

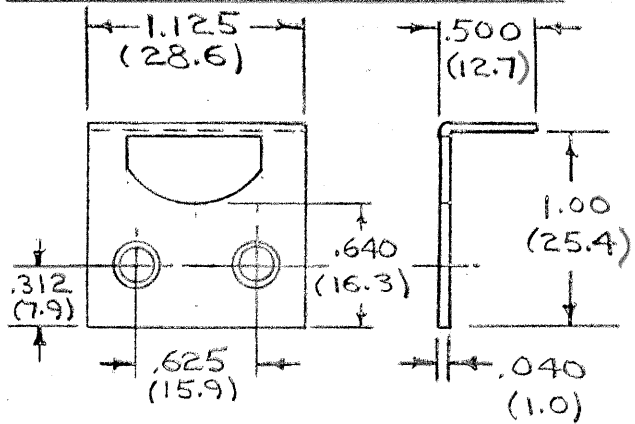
SET SCREW



STRIKE ATTACH. SCREWS
(2 / NO. 8 x 1/2 FH.P.H.WS)
(38.1)



UNIVERSAL STRIKE



ANGLE STRIKE



TEMPLATE NO. HB-144-47
DRAWN BY: WBI
DATE: 12-23-80

No. 144 SURFACE BOLT (12 IN. LENGTH)

IVES DIVISION
LEIGH PRODUCTS, INC.
P.O. BOX 1887, NEW HAVEN, CONN. 06508

TEMPLATE DRAWING

DWG # 2267 4
Rev A, new drawing #
10/5/99

513