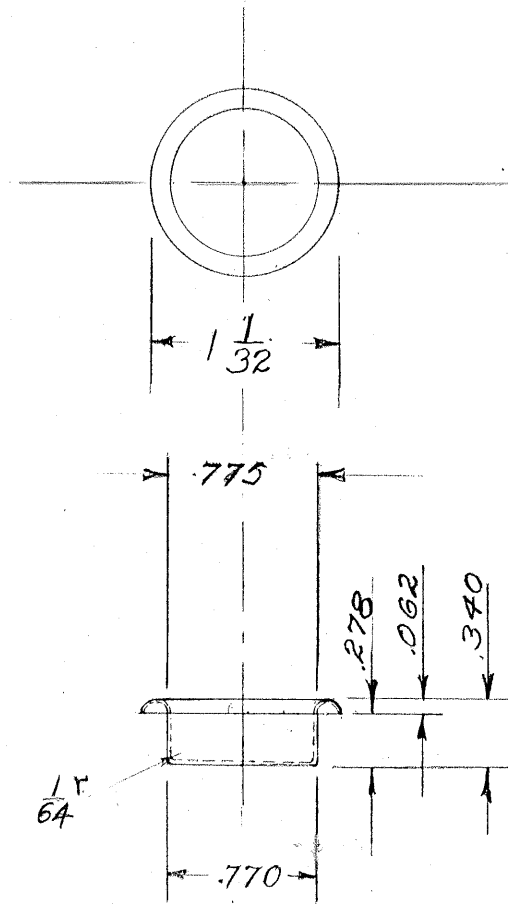


# TEMPLATE DRAWING

DWG. NO. - 297-A



NOTE: ALL DIMENSIONS ARE  
OUTSIDE DIMENSIONS

218B FINGER PULL		
LETTER	CHANGE	DATE
A	REVISED	11-28-56
E.A.M. 10-26-50 SCALE-FULL		
H.B. IVES CO. NEW HAVEN, CT.		