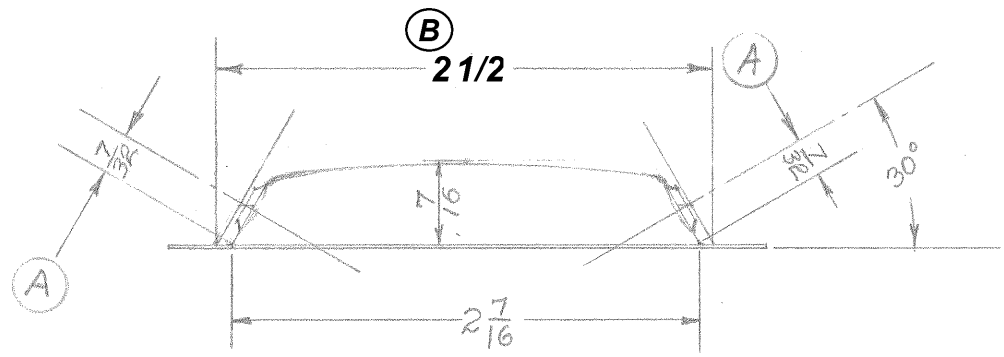
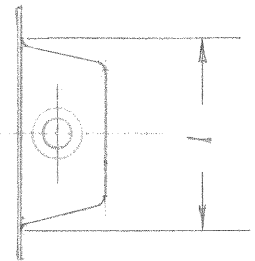
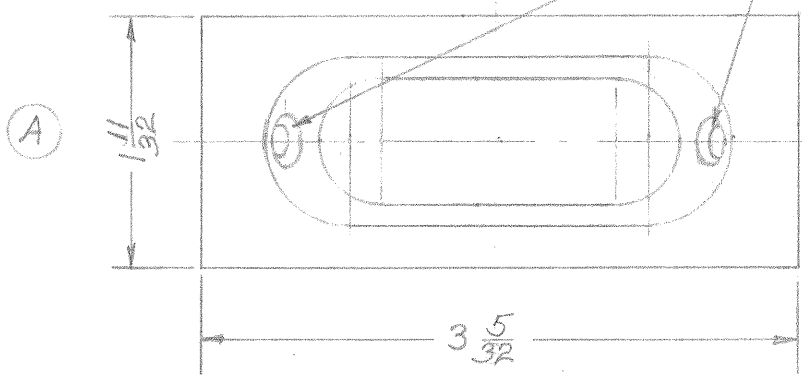


# TEMPLATE DRAWING

DWG. NO. 25/B



#4 FLAT HD. SCREWS



A

## 22B FLUSH SASH LIFTS

LETTER	CHANGE	DATE
A	$\frac{7}{32}$ WAS $\frac{9}{16}$ - $1 \frac{1}{32}$ WAS $1 \frac{1}{8}$ $3 \frac{1}{32}$ WAS $3 \frac{1}{8}$	6-17-60
B	$2 \frac{1}{2}$ WAS $2 \frac{19}{32}$	11/1/2002
C		
F.C.B.	6-30-49	FULL SIZE

IVES DIVISION  
LEIGH PRODUCTS, INC.  
P. O. BOX 1887, NEW HAVEN, CONN. 06508