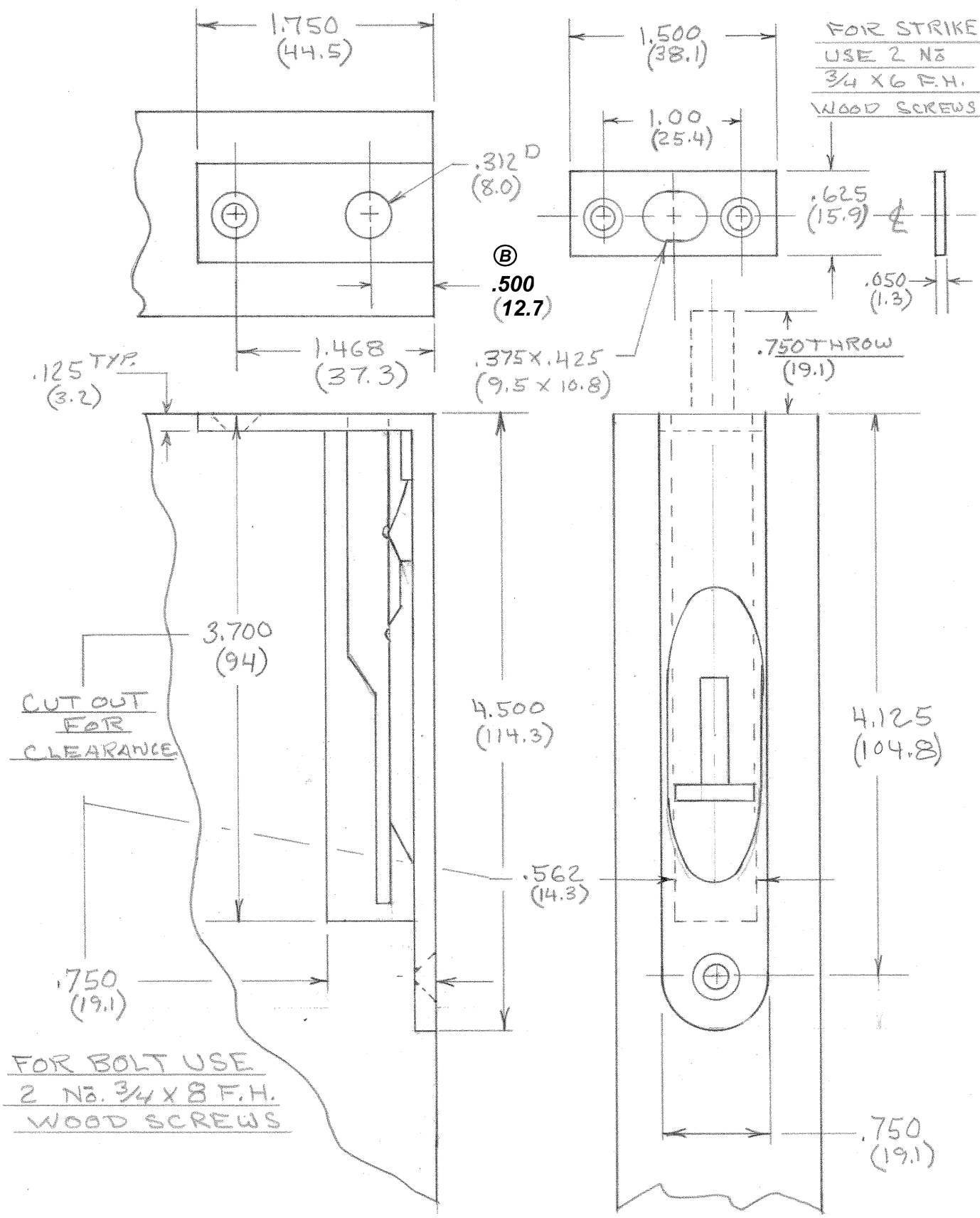


TEMPLATE DRAWING



264 FLUSH BOLT

TEMPLATE NO. HB 264-33
 DRAWN BY: LP
 DATE: 4-13-77

IVES DIVISION
 LEIGH PRODUCTS, INC.
 P. O. BOX 1887, NEW HAVEN, CONN. 06508